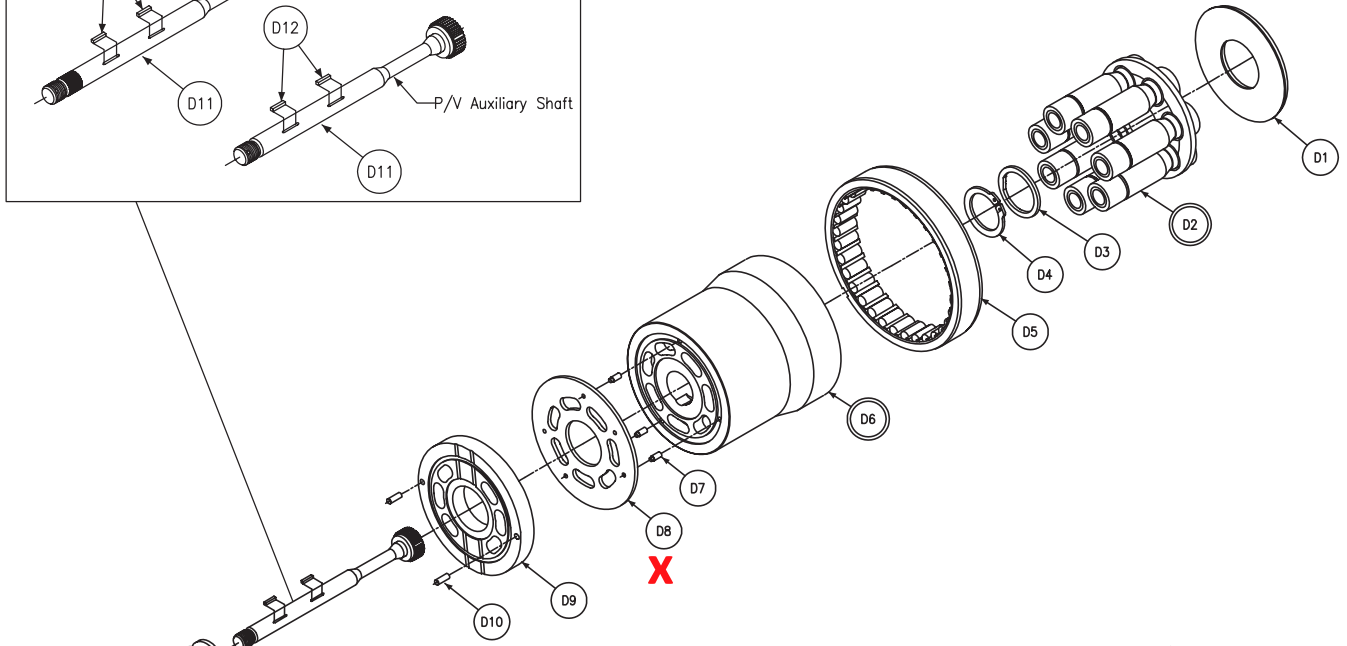
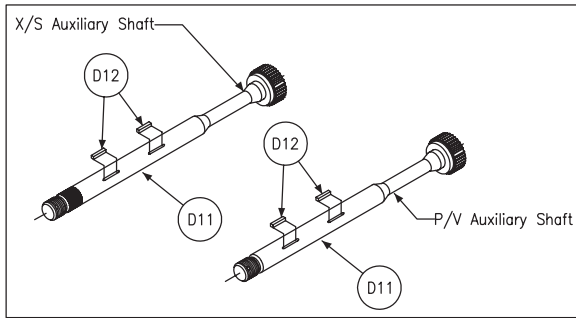
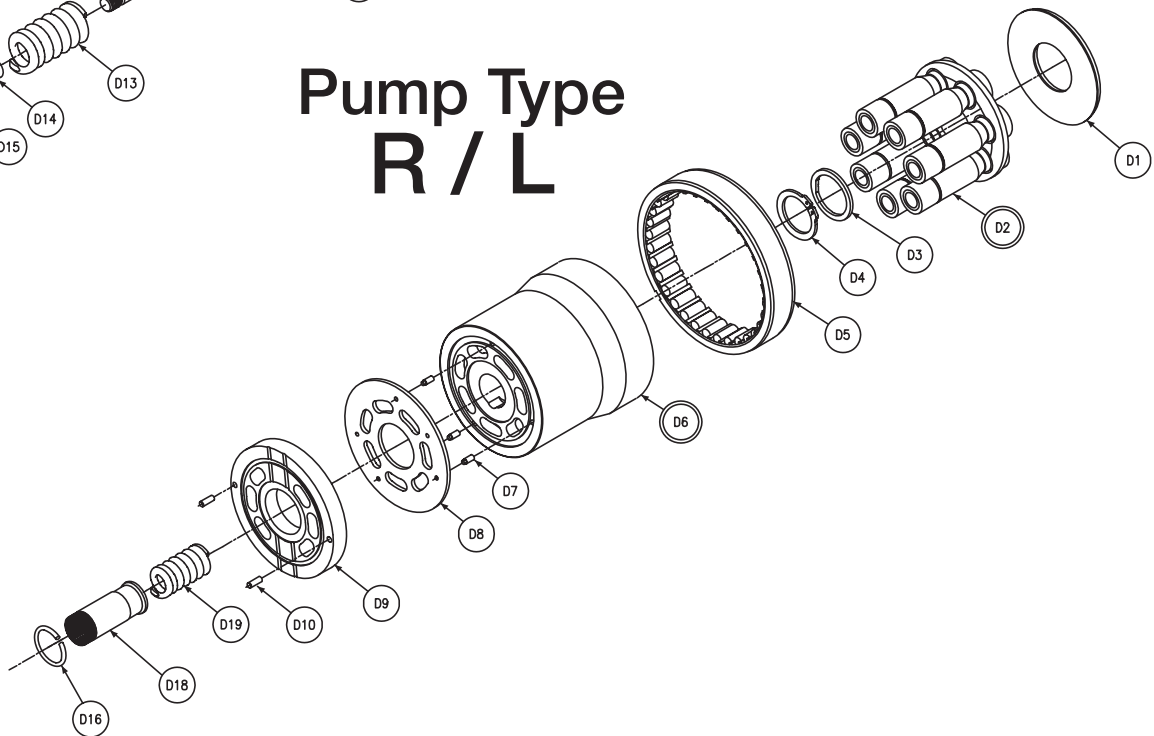


# Pump Type P / V / X / S



# Pump Type R / L



## Section View - D - Rotating Group Assembly

Section D						
P11/14 Rotating group						
Balloon #	Displacement	Pump Type	Rotation	Item #	Description	Qty
D1	**	**	**	033-71569-0	Creep plate	1
D2	P11	**	**	S13-45544-0	Piston and Shoes w/Retainer Assembly	1
	P14	**	**	S13-43970-0		
D3	**	**	**	033-91706-0	Bearing, thrust	1
D4	**	**	**	033-71556-0	Retaining Ring, Yellow, .109/.107 thk	1
	**	**	**	035-71557-0	Retaining Ring, Green, .107/.105 thk	
	**	**	**	035-71558-0	Retaining Ring, Red, .105/.103 thk	
	**	**	**	035-71559-0	Retaining Ring, Blue, .103/.101 thk	
	**	**	**	033-91231-0	Retaining Ring, White, .100/.098 thk	
D5	**	**	**	033-91190-0	Barrel Bearing	1
D6	P11	**	**	S13-45381-0	Barrel Assembly	1
	P14	**	**	S13-43965-0		
D7	**	**	**	033-49825-0	Pin, Face & Port Plate	3
D8	P11	**	**	033-71921-0	Face plate	1
	P14	**	**	033-71575-0		
D9	P11	P/S/X/R/L	CW	033-71915-0	Port Plate	1
	P11	P/S/X/R/L	CCW	033-71914-0		
	P14	P/S/X/R/L	CW	033-71617-0		
	P14	P/S/X/R/L	CCW	033-71600-0		
	P11	V	CW	033-91195-0		
	P11	V	CCW	033-91224-0		
	P14	V	CW	033-91241-0		
P14	V	CCW	033-91242-0			
D10	**	**	**	324-21610-0	Dowel Pin	2
D11	**	P/V	**	033-71603-0	Shaft, Auxiliary Drive	1
	**	S/X	**	033-91053-0		
D12	**	V	**	211-22034-0	Square Key	1
	**	P/S/N/X	**			2
D13	**	P/S/N/X	**	033-71562-0	Holddown Spring	1
D14	**	P/S/N/X	**	033-71561-0	Barrel Stop	1
D15	**	P/S/N/X	**	033-71560-0	Spring Retainer	1
D16	**	**	**	033-71564-0	Retaining Ring	1
D18	**	R/L	**	033-92687-0	Holddown Sleeve	1
D19	**	R/L	**	033-92686-0	Holddown Spring	1

Major Rotating Group			
Composed of Items:			
D1,D2,D5,D6,D7, D8, D9,and D10			
Displacement	Model Type	Rotation	Part Number
P11	P/X/S/R/L	CW	S23-17101-0
P11	P/X/S/R/L	CCW	S23-17102-0
P11	V	CW	S23-17105-0
P11	V	CCW	S23-17106-0
P14	P/X/S/R/L	CW	S23-17103-0
P14	P/X/S/R/L	CCW	S23-17104-0
P14	V	CW	S23-17107-0
P14	V	CCW	S23-17108-0

Barrel Hold Down			
Composed of Items:			
D11,D13,D14,D15 and D16 For P/V/X/S			
No Kit available for R/L versions			
Displacement	Model Type	Rotation	Part Number
P11/14	P/V	**	S23-17250-0
P11/14	X/S	**	S23-17251-0