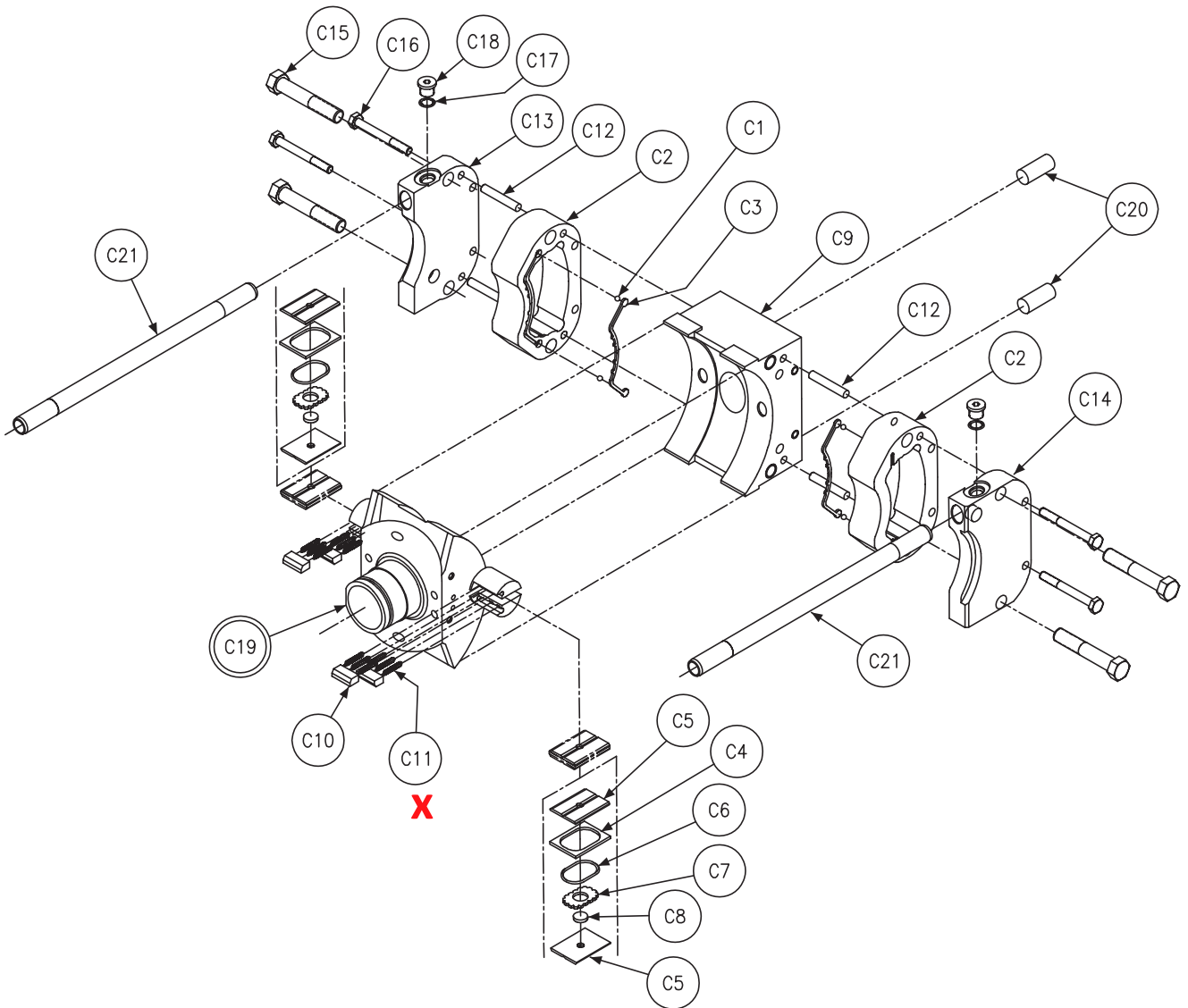


# Pump Type P / V / X / S / L / R



Section C						
P11/14 Cam and Cradle						
Balloon #	Shaft Code	Rotation	Seal Code	Item #	Description	Qty
C1	**	**	**	201-06001-0	Check Ball	4
C2	**	**	**	033-71615-0	Vane Chamber	2
C3	**	**	1	606-25040-0	Molded Seal	2
	**	**	4	606-25040-4		
	**	**	5	606-25040-5		
C4	**	**	**	033-71611-0	Vane Seal	2
C5	**	**	**	033-71608-0	Vane Seal Backup Plate	4
C6	**	**	1	691-00125-0	Gasket O-ring	2
	**	**	4	694-00125-0		
	**	**	5	695-00125-0		
C7	**	**	**	033-71607-0	Vane Spacer	2
C8	**	**	**	033-70803-0	Check Valve	2
C9	2/3/10	**	**	033-57879-0	Rocker Cradle	1
	7/8/9	**	**	033-91712-0		
C10	**	**	**	033-72234-0	Vane Holddown	4
C11	**	**	**	033-72233-0	Spring Holddown	12
C12	**	**	**	324-22428-0	Dowel Pins	4
C13	**	CCW	**	033-71595-0	Right Control Cover	1
	**	CW	**	033-71598-0		
C14	**	CCW	**	033-71593-0	Left Control Cover	1
	**	CW	**	033-71597-0		
C15	**	**	**	306-40189-0	Hex Hd Cap Screw	4
C16	**	**	**	306-40140-0	Hex Hd Cap Screw	4
C17	**	**	1	691-00905-0	Gasket O-ring	2
	**	**	4	694-00905-0		
	**	**	5	695-00905-0		
C18	**	**	**	488-35020-0	Hex Socket Plug	2
C19	**	**	**	S23-12107-0	Rocker Cam and Plug Assembly	1
C20	**	**	**	324-23216-0	Dowel Pin	2
C21	**	**	**	033-71609-0	Tube	2

Cam and Cradle assembly		
Composed of Items: C1 thru C21		
P11/14 P,V,X,S,R,L		
Part Number	Shaft Type	Rotation
S23-17240-0	2/3/10	CW
S23-17241-0	2/3/10	CCW
S23-18966-0	7/8/9	CW
S23-18967-0	7/8/9	CCW

