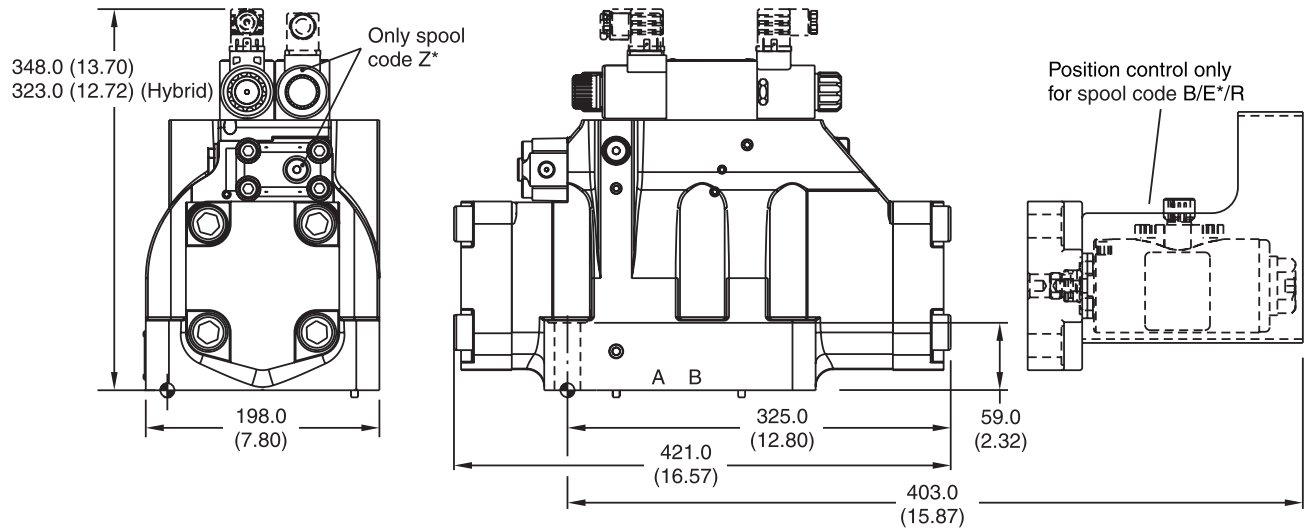


Inch equivalents for millimeter dimensions are shown in (**)



D111FB



Surface Finish	Kit	Kit	Kit	Seal Kit
	BK386 BK150	6x M20x90 DIN 912 12.9 6x 3/4-10x3.5	517 Nm (373.9 lb.-ft.) ±15 %	Nitrile: SK-D111FB Fluorocarbon: SK-D111FBV

Dimension with DT04-2P "Deutsch" Connector

