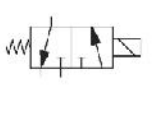


3/2-Wege-Magnetventil GS04 Typ GS04 30...32

| | | | | | | | |
|---|----------------|-------|-----------------|----------------|-----|----------------|-----------------|
|  | GS04 30 | UP TO | 30 L/MIN | 8 USGPM | | | |
| | GS04 31 | | | | AND | 350 BAR | 5000 PSI |
| | GS04 32 | | | | | | |

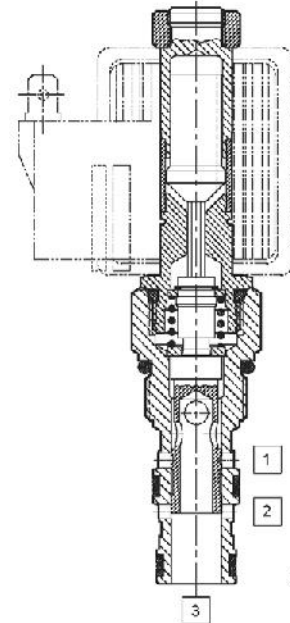
SPOOL TYPE

**2 Position 3 Way
Bottom Cylinder Port**

- High flow capacity.
- One piece cartridge housing ensures internal concentricity.
- Coil: Waterproof, hermetically sealed, requires no O'Rings;
Symmetrical coil can be reversed without affecting performance.

OPERATION


De-energized, the spool land blocks the annular cross holes in the cage at port 1, and partially blocks the annular holes at port 2. The spring and collet maintain this position. Flow is blocked at port 1 and will flow from port 3 to port 2. **Energized**, the armature pushes the spool against the spring force, blocking port 2 and allowing flow from port 1 through the hollow spool to port 3.



PATENT
#5,002,253

Änderungen vorbehalten

SPECIFICATIONS

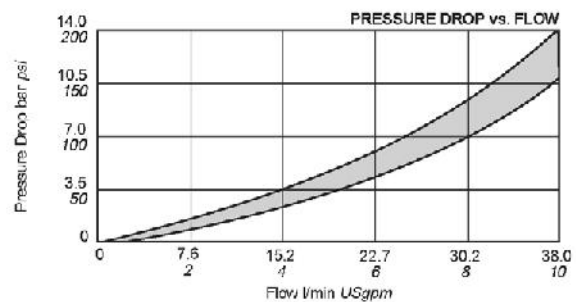
| BASIC MODEL NUMBER | STANDARD GS04 30 | HIGH FLOW GS04 31 | HIGH PRESSURE GS04 32 |
|--|---|------------------------------|--------------------------|
| SYMBOL & CROSSOVER |  | | |
| NOMINAL FLOW AT Δp = 6 bar 70 psi | 21 l/min 5.5 USgpm | 30 l/min 8 USgpm | 24 l/min 6.5 USgpm |
| PRESSURE | 210 bar 3000 psi | 350 bar 5000 psi | |
| FUNCTION | 3→2 WHEN SOLENOID IS DE-ENERGIZED 1→3 WHEN SOLENOID IS ENERGIZED | | |
| SERIES CA COIL WATTS. (100% DUTY CYCLE) | 18w (S ⁺ Coil) | 28w (P ⁺ Coil) | |
| MAX INTERNAL LEAK AT 210 bar 3000 psi at 38 cSt 180 SSU | 82 cc/min @ 210 bar 3000 psi | | |
| MIN AMPERAGE TO OPERATE VALVE AT MAX RATED PRESSURE & FLOW | 75% OF NOMINAL AMPERAGE, DETAILS: COIL DATA SHEET page 202 | | |
| PREFERABLE INPUT/OUTPUT PORT LOCATION | 1-INPUT, 2-OUTPUT, 3-INPUT OR OUTPUT | | |
| INSTALLATION | UNRESTRICTED | | |
| FLUID * | MINERAL OIL OR SYNTHETIC FLUID WITH LUBRICANT PROPERTIES | | |
| IDEAL VISCOSITY * | 15-50 cSt 80-230 SSU | | |
| SEAL MATERIAL/ TEMPERATURE * | NITRILE (Std.) -30°C to +100°C BUNA-N -20°F to +210°F VITON -20°C to +150°C -4°F to +330°F | | |
| FILTRATION * | 25 MICRONS (Nom.) OR BETTER | | |
| CART. WEIGHT | 0.32 kg 0.71 lb | | |
| COIL WEIGHT | 0.29 kg 0.64 lb | | |

* IMPORTANT: See pages 582-583 for additional notes on operating conditions.

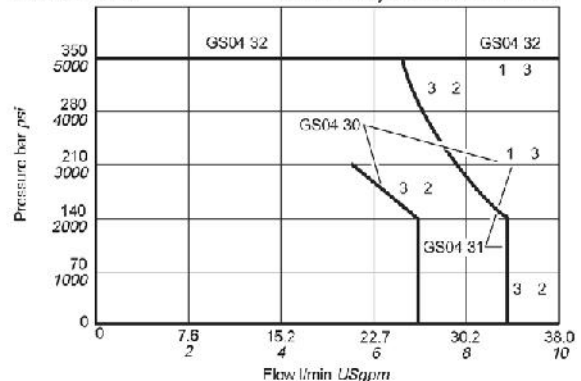
Specifications may change without notice

TYPICAL PERFORMANCE

Measured at 30cSt 180 SSU (For cartridge only)

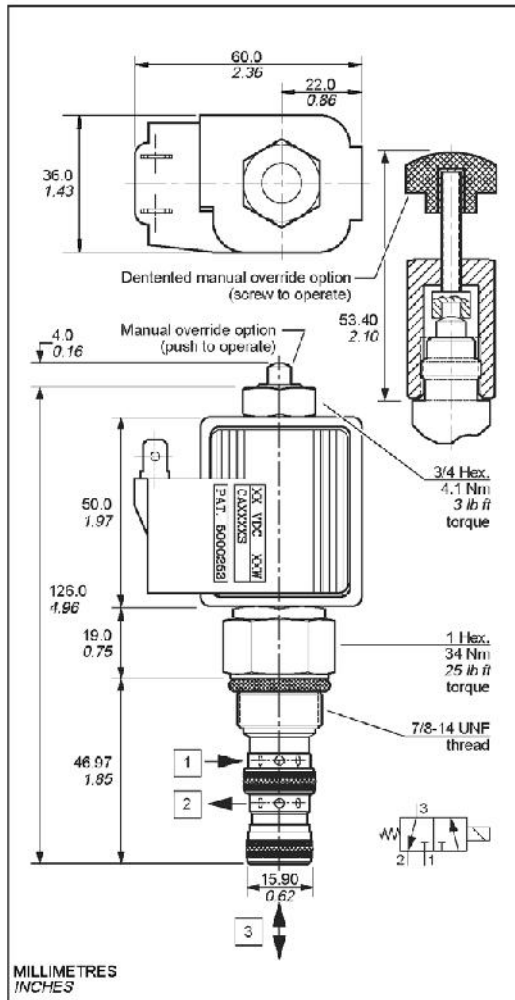


Measured at 75% of nominal current
Reduce flow by 10% for manual override

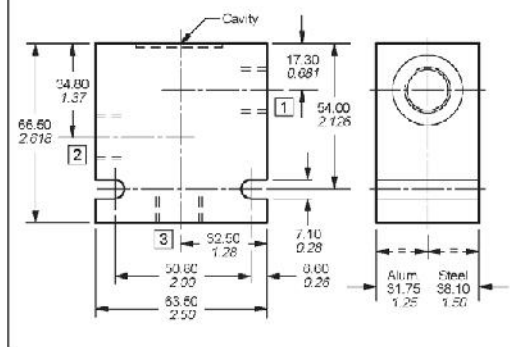


3/2-Wege-Magnetventil GS04 Typ GS04 30...32

DIMENSIONS



LINE BODY CAVITY CAV04-3: 7/8-14 Thread (10-3 Industry common cavity)



CAVITY TOOLING FOR CAV04-3

| | MM | INCH | |
|----------------|-----------|------|--------------------------|
| PILOT DRILL Ø | 15.00 | 0.59 | REAMER (STEEL) 8RM31069S |
| STEP DRILL | 8DS31359 | | COUNTERBORE |
| REAMER (ALUM.) | 8RM31069A | | TAP 8TP31201 |

MACHINING DETAILS PAGE 542

CARTRIDGE

GS04

C

| | | |
|-----------------------------------|----|-------------------------------|
| PRESSURE AND PERFORMANCE FEATURES | 30 | STANDARD ('S' Coil) |
| | 31 | HIGH FLOW ('P' Coil) <--- |
| | 32 | HIGH PRESSURE ('P' Coil) |
| MANUAL OVERRIDE (Option) | 0 | NOT REQUIRED |
| | 1 | MANUAL OVERRIDE <--- |
| | 2 | DETENTED M.O. Part no. 900690 |
| FILTER SCREEN (Option) | 0 | NOTAVAILABLE <--- |
| SEAL MATERIAL | N | NITRILE BUNA-N (Std.) <--- |
| | V | VITON |

COIL

CA

| | | |
|----------------|-----|---|
| COIL WATTAGE | S | STANDARD 18w |
| | P | PUISSANT 28w |
| COIL VOLTAGE* | 012 | 12V DC |
| | 024 | 24V DC |
| | 115 | 115V AC |
| | 230 | 230V AC |
| COIL TERMINAL* | C | DOUBLE LEAD WIRE WITH CONDUIT CONNECTOR (AC Only) |
| | D | DIN 43650 (AC or DC, Supplied without DIN Connector) |
| | L | DOUBLE LEAD (DC Only) |
| | LD | DOUBLE LEAD WITH DEUTSCH CONNECTOR DT04-2P-EP04 (DC Only) |
| | LE | DOUBLE LEAD WITH 3 AMP DIODE (DC Only) |
| | PF | DOUBLE LEAD WIRE WITH PACKARD FEMALE WEATHER PACK CONNECTOR 1201 5792 (DC Only) |
| | PM | DOUBLE LEAD WIRE WITH PACKARD MALE WEATHER PACK CONNECTOR 1201 0973 (DC Only) |
| | S | DOUBLE SPADE (DC Only) |
| | W | DOUBLE SCREW (DC only) |
| | WE | DOUBLE SCREW WITH 3 AMP DIODE (DC Only) |
| | Y | SINGLE SCREW (Internally Grounded, DC Only) |

* ADDITIONAL VOLTAGES AND OTHER TERMINALS ARE AVAILABLE, FOR DETAILS PLEASE CONSULT FACTORY

COIL DETAILS page 202

LINE BODY

LB10

| | | |
|--------------------|-----|---|
| PORTING | 716 | 1/2 SAE |
| | 716 | 3/8 BSP |
| LINE BODY MATERIAL | A | ALUMINIUM (Anodised) TO 210 bar 3000 psi |
| | S | STEEL (Zinc plated) TO 420 bar 6000 psi |

LINE BODY DETAILS page 513

| | |
|--------------------|---|
| SEAL KIT (CAV04-3) | SK30505N-1 (NITRILE-BUNA N) SK30505V-1 (VITON) |
|--------------------|---|