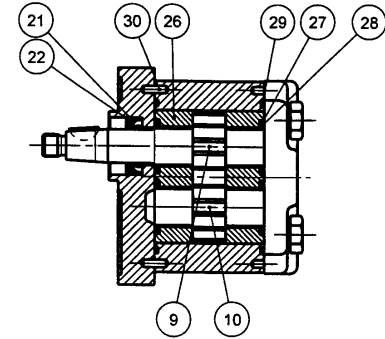
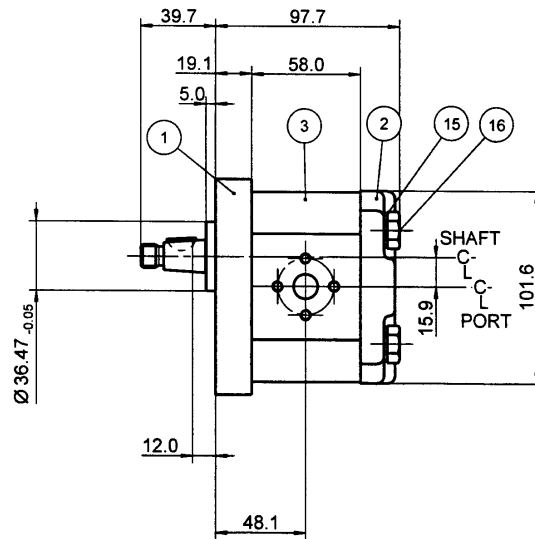
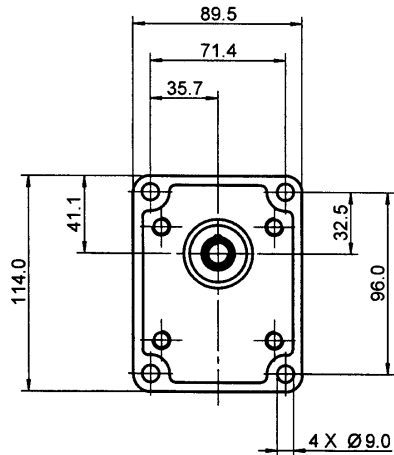
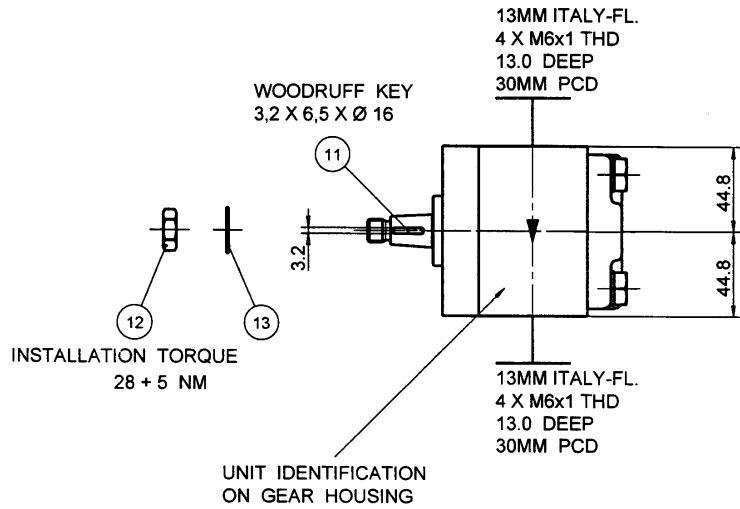
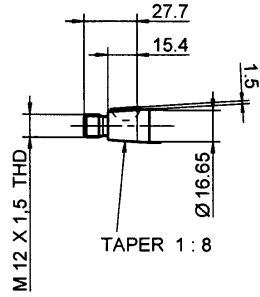


PUMP DATA	
DISPLACEMENT	11,0 ccm
MAX.CONT.PRESSURE	275 bar
SPEED RATE 500 TO	3500 min ⁻¹
MAX. INPUT SHAFT TORQUE	198 NM
ROTATION	CLOCKWISE



NOTE

FOR ASSEMBLY INSTRUCTIONS SEE DWG. NO. "511-B1" "PGP511 PUMP ASSEMBLY INSTRUCTIONS".

ITEM	PART NO	REQ'D	ITEM	PART NO	REQ'D
28	8611-015-000	2	SEAL. BK-UP	36	
27	8611-016-00R	2	SEAL. CHAN.	35	
26	8898-207-00U	2	THRBLK/BSHG	34	
25				33	
24				32	
23				31	
22	9211-323-00B	1	RING, SNAP	30	391 2080 078 2 PIN DOWEL
21	8301-019-00K	1	SEAL. LIP	29	9313-145-00B 2 SEAL. SECT.

BOM. COMPONENT					
ITEM	PART NO	REQ'D	DESCRIPTION	ITEM	DESCRIPTION
20	SEE ABOVE	1	BOM. COMPONENT		
19					
18					
17					
16	391 1401 856	4	SCREW (88 MM)		
15	391 3782 231	4	WASHER		
14					
13	391 3782 307	1	WASHER		
12	391 1451 168	1	NUT		
11	391 1781 112	1	KEY		
10	334 2711 000	1	DRIVEN GEAR		
9	334 1811 601	1	DRIVE GEAR		
8					
7					
6					
5					
4					
3	334 8111 908	1	HOUSING. GEAR		
2	332 3000 100	1	HOUSING. PEC		
1	334 5041 202	1	HOUSING. SEC		

THIRD ANGLE PROJECTION

EXP. NO.
FIRST USED
01 - 10 - 993
334 9111 291

SYM.	REVISIONS

THIS DOCUMENT CONTAINS INFORMATION THAT IS CONFIDENTIAL AND PROPRIETARY TO PARKER HANNIFIN CORPORATION (PARKER). THIS DOCUMENT IS FURNISHED ON THE UNDERSTANDING THAT THE DOCUMENT AND INFORMATION WILL BE NOT COPIED OR DISCLOSED TO OTHERS OR USED FOR ANY PURPOSE OTHER THAN CONDUCTING BUSINESS WITH PARKER, AND WILL BE RETURNED AND ALL FURTHER USE DISCONTINUED UPON REQUEST BY PARKER. ALL RIGHTS RESERVED.

PGP511A0110CS2D3NL1L1B1B1

MATERIAL	ADM CTR P
H.E.-STD:	REV DTE 000000
WT	

DIMENSIONS ARE — MM —

	Hydraulic Controls Division Sachsenhydraulik GmbH Chemnitz
DR. BY DATE PG 08NOV01	CH. BY DATE WS 08NOV01
SCALE 334 9111 291	
© 2001 Parker-Hannifin Corporation	