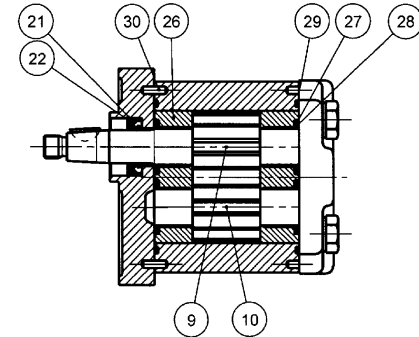
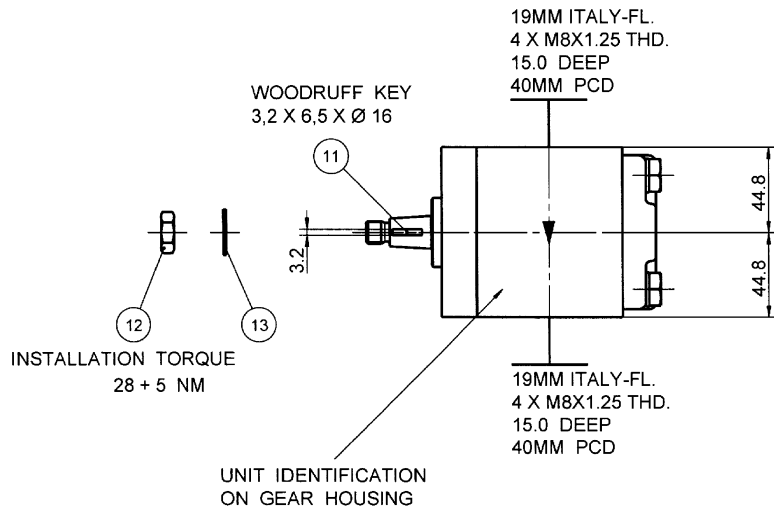
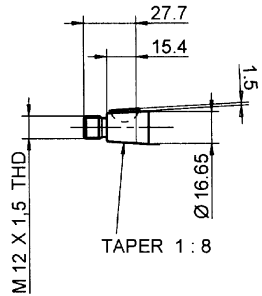
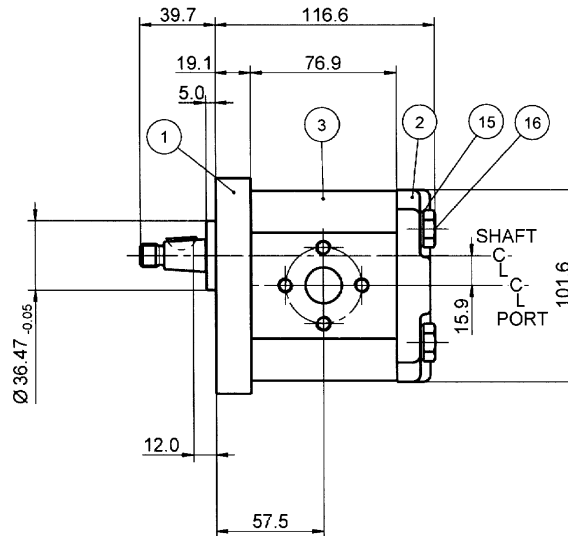
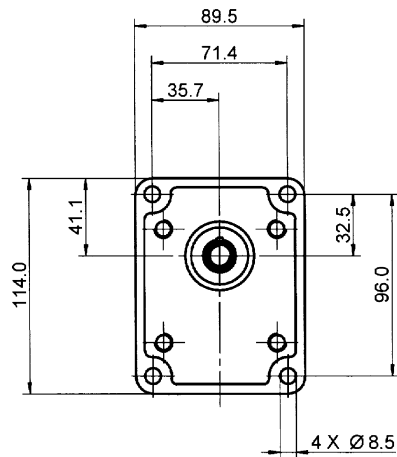


PUMP DATA	
DISPLACEMENT	23,0 ccm
MAX.CONT.PRESSURE	225 bar
SPEED RATE 500 TO 1900 min ⁻¹	
MAX. INPUT SHAFT TORQUE	198 NM
ROTATION	CLOCKWISE



NOTE

1 FOR ASSEMBLY INSTRUCTIONS SEE DWG. NO. "511-B1" "PGP511 PUMP ASSEMBLY INSTRUCTIONS".



ITEM	PART NO	REQD	ITEM	PART NO	REQD
28	8611-015-000	2	SEAL. BK-UP	36	
27	8611-016-00R	2	SEAL. CHAN.	35	
26	8898-207-00U	2	THRBLK/BSHG	34	
25				33	
24				32	
23				31	
22	9211-323-00B	1	RING, SNAP	30	391 2080 078 2
21	8301-019-00K	1	SEAL. LIP	29	9313-145-00B 2

BOM. COMPONENT

ITEM	PART NO	REQD	DESCRIPTION
20	SEE ABOVE	1	BOM. COMPONENT
19			
18			
17			
16	391 1401 546	4	SCREW (105 MM)
15	391 3782 231	4	WASHER
14			
13	391 3782 307	1	WASHER
12	391 1451 168	1	NUT
11	391 1781 112	1	KEY
10	334 2723 000	1	DRIVEN GEAR
9	334 1823 601	1	DRIVE GEAR
8			
7			
6			
5			
4			
3	334 8123 973	1	HOUSING. GEAR
2	332 3000 100	1	HOUSING. PEC
1	334 5041 202	1	HOUSING. SEC

THIRD ANGLE PROJECTION

EXP. NO.
FIRST USED
01 - 10 - 993
334 9111 295

DWG. REDRAWN

SYM. REVISIONS

THIS DOCUMENT CONTAINS INFORMATION THAT IS CONFIDENTIAL AND PROPRIETARY TO PARKER HANFIFIN CORPORATION (PARKER). THIS DOCUMENT IS FURNISHED ON THE UNDERSTANDING THAT THE DOCUMENT AND INFORMATION WILL BE NOT COPIED OR DISCLOSED TO OTHERS OR USED FOR ANY PURPOSE OTHER THAN CONDUCTING BUSINESS WITH PARKER. AND WILL BE RETURNED AND ALL FURTHER USE DISCONTINUED UPON REQUEST BY PARKER. ALL RIGHTS RESERVED.

Parker Hydraulic Controls Division
Sachsenhydraulik GmbH
Chemnitz

PGP511A0230CS2D3NL2L2B1B1

MATERIAL

ADM CTR P
REV DTE 26JUN03

H.E.-STD.

WT

DIMENSIONS ARE MM

DR. BY DATE CHBY DATE SCALE
PG 08NOV01 WS 08NOV01 1/2

334 9111 295

© 2003 Parker-Hannifin Corporation