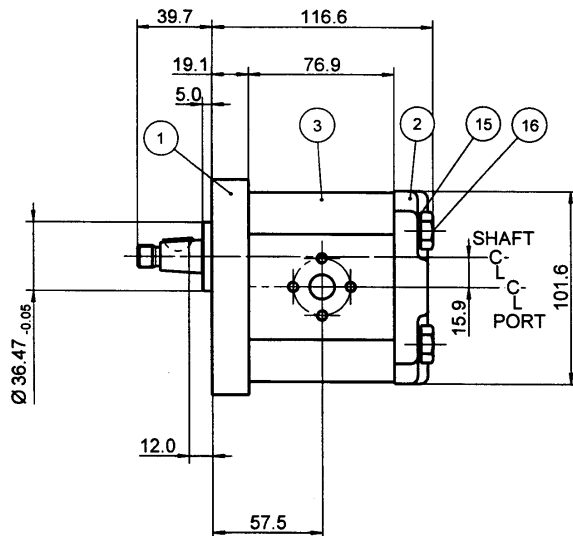
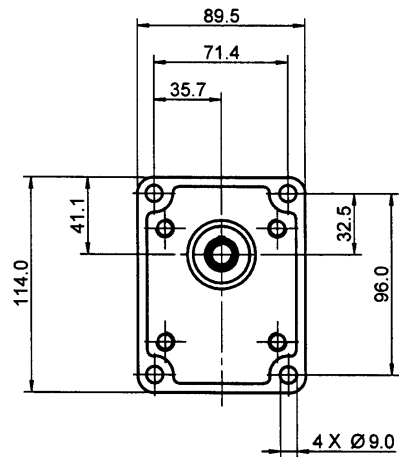
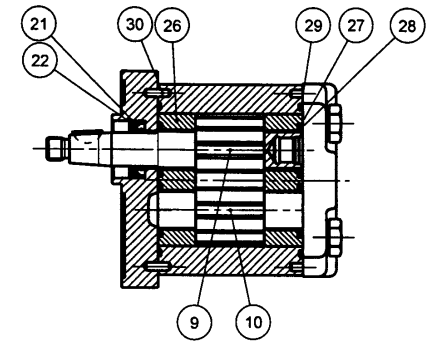
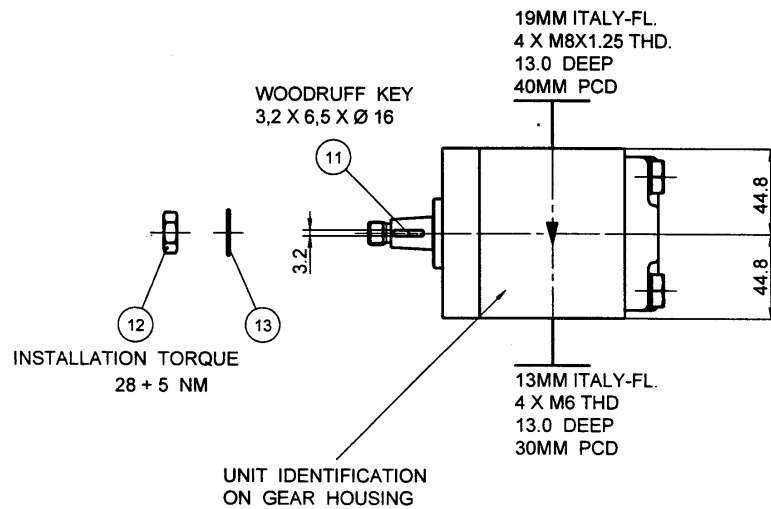
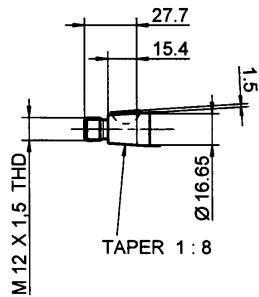


PUMP DATA	
DISPLACEMENT	23,0 ccm
MAX.CONT.PRESSURE	225 bar
SPEED RATE	500 TO 2200 min ⁻¹
MAX. INPUT SHAFT TORQUE	198 NM
ROTATION	CLOCKWISE



NOTE
 1 FOR ASSEMBLY INSTRUCTIONS SEE DWG. NO. "511-B1"
 "PGP511 PUMP ASSEMBLY INSTRUCTIONS".

ITEM	PART NO	REQ'D	ITEM	PART NO	REQ'D
28	8611-015-000	2	SEAL. BK-UP	36	
27	8611-016-00R	2	SEAL. CHAN.	35	
26	8898-207-00U	2	THRBLK/BSHG	34	
25				33	
24				32	
23				31	
22	9211-323-00B	1	RING, SNAP	30	391 2080 078 2 PIN. DOWEL
21	8301-019-00K	1	SEAL. LIP	29	9313-145-00B 2 SEAL. SECT.

BOM. COMPONENT					
ITEM	PART NO	REQ'D	ITEM	PART NO	REQ'D
20	SEE ABOVE	1	BOM. COMPONENT		
19					
18					
17					
16	391 1401 546	4	SCREW (105 MM)		
15	391 3782 231	4	WASHER		
14					
13	391 3782 307	1	WASHER		
12	391 1451 168	1	NUT		
11	391 1781 112	1	KEY		
10	334 2723 000	1	DRIVEN GEAR		
9	334 1923 601	1	DRIVE GEAR		
8					
7					
6					
5					
4					
3	334 8123 907	1	HOUSING. GEAR		
2	332 3000 100	1	HOUSING. PEC		
1	334 5041 202	1	HOUSING. SEC		

THIRD ANGLE PROJECTION	
EXP NO.	
FIRST USED	
01 - 12 - 940	
334 9111 363	
SYM.	REVISIONS

THIS DOCUMENT CONTAINS INFORMATION THAT IS CONFIDENTIAL AND PROPRIETARY TO PARKER HANNIFIN CORPORATION ("PARKER"). THIS DOCUMENT IS FURNISHED ON THE UNDERSTANDING THAT THE DOCUMENT AND INFORMATION WILL BE NOT COPIED OR DISCLOSED TO OTHERS OR USED FOR ANY PURPOSE OTHER THAN CONDUCTING BUSINESS WITH PARKER, AND WILL BE RETURNED AND ALL FURTHER USE DISCONTINUED UPON REQUEST BY PARKER. ALL RIGHTS RESERVED.

Parker Hydraulic Controls Division
 Sachsenhydraulik GmbH
 Chemnitz

PGP511M0230CS2D3NL2L1B1B1

MATERIAL	ADM CTR P	DR. BY	DATE	CH. BY	DATE	SCALE
H.E.-STD.	REV DTE 000000	PG	17DEC01	WS	17DEC01	1/2
	WT	DIMENSIONS ARE MM		334 9111 363		

© 2001 Parker-Hannifin Corporation