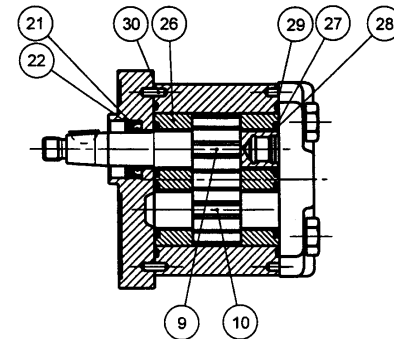
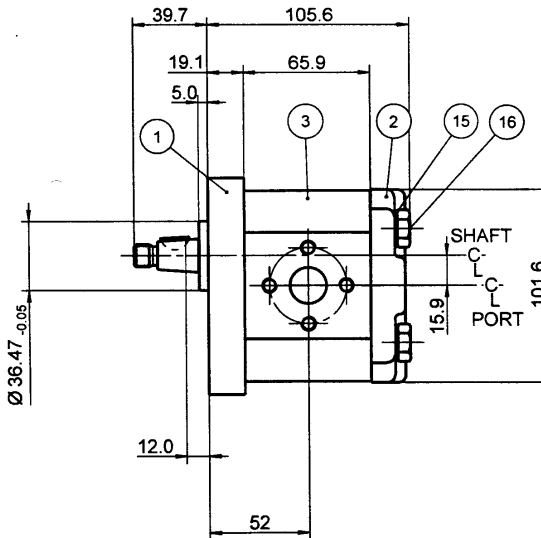
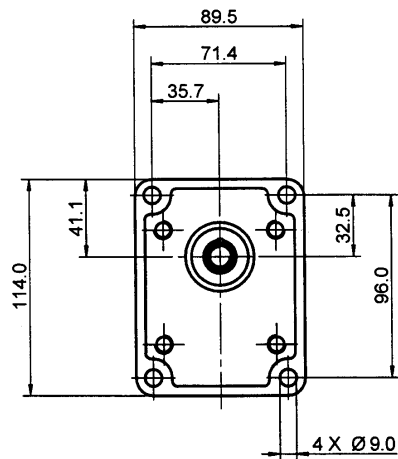
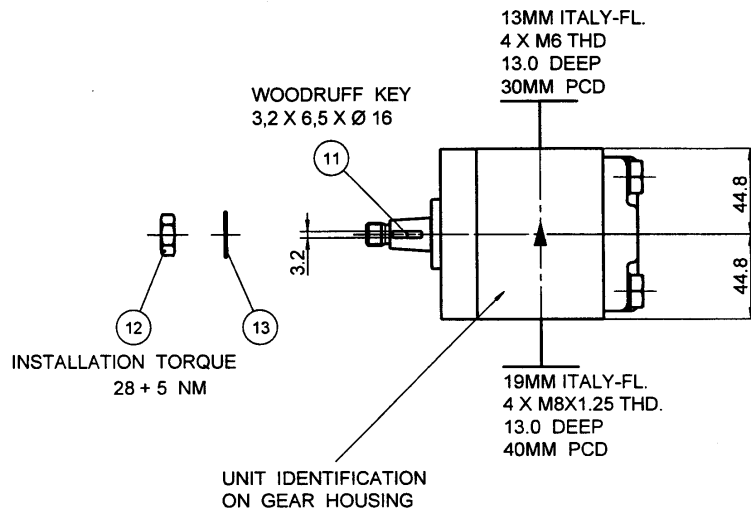
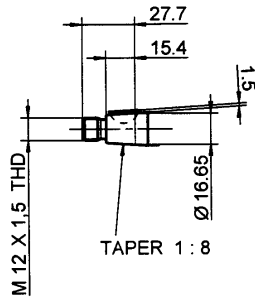


PUMP DATA	
DISPLACEMENT	16,0 ccm
MAX. CONT. PRESSURE	275 bar
SPEED RATE	500 TO 3100 min ⁻¹
MAX. INPUT SHAFT TORQUE	198 NM
ROTATION	ANTI CLOCKWISE



NOTE

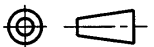
▽ FOR ASSEMBLY INSTRUCTIONS SEE DWG. NO. "511-B1" "PGP511 PUMP ASSEMBLY INSTRUCTIONS".

ITEM	PART NO	REQ'D	ITEM	PART NO	REQ'D
28	8611-015-000	2	SEAL. BK-UP	36	
27	8611-016-00R	2	SEAL. CHAN.	35	
26	8898-207-00U	2	THRBLK/BSHG	34	
25				33	
24				32	
23				31	
22	9211-323-00B	1	RING, SNAP	30	391 2080 078 2
21	8301-019-00K	1	SEAL. LIP	29	9313-145-00B 2

BOM. COMPONENT

ITEM	PART NO	REQ'D	DESCRIPTION
20	SEE ABOVE	1	BOM. COMPONENT
19			
18			
17			
16	391 1401 544	4	SCREW (95 MM)
15	391 3782 231	4	WASHER
14			
13	391 3782 307	1	WASHER
12	391 1451 168	1	NUT
11	391 1781 112	1	KEY
10	334 2716 000	1	DRIVEN GEAR
9	334 1916 601	1	DRIVE GEAR
8			
7			
6			
5			
4			
3	334 8116 907	1	HOUSING. GEAR
2	332 3000 100	1	HOUSING. PEC
1	334 5041 202	1	HOUSING. SEC

THIRD ANGLE PROJECTION



EXP. NO.

FIRST USED

01 - 12 - 939

334 9112 194

SYM. REVISIONS

THIS DOCUMENT CONTAINS INFORMATION THAT IS CONFIDENTIAL AND PROPRIETARY TO PARKER HANNIFIN CORPORATION (PARKER). THIS DOCUMENT IS FURNISHED ON THE UNDERSTANDING THAT THE DOCUMENT AND INFORMATION WILL BE NOT COPIED OR DISCLOSED TO OTHERS OR USED FOR ANY PURPOSE OTHER THAN CONDUCTING BUSINESS WITH PARKER, AND WILL BE RETURNED AND ALL FURTHER USE DISCONTINUED UPON REQUEST BY PARKER. ALL RIGHTS RESERVED.

PGP511M0160AS2D3NL2L1B1B1

MATERIAL

ADM CTR P

REV DTE 000000

H.E.-STD:

WT

DIMENSIONS ARE MM

Parker Hydraulic Controls Division
Sachsenhydraulik GmbH
Chemnitz

DR. BY DATE CH. BY DATE SCALE
PG 17DEC01 WS 17DEC01 1/2

334 9112 194

© 2001 Parker-Hannifin Corporation