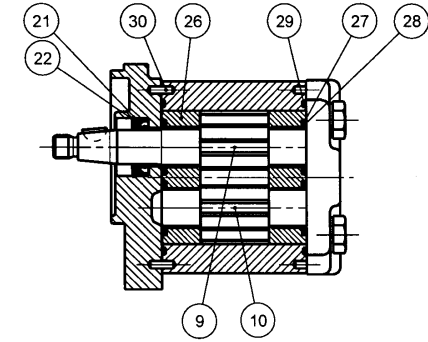
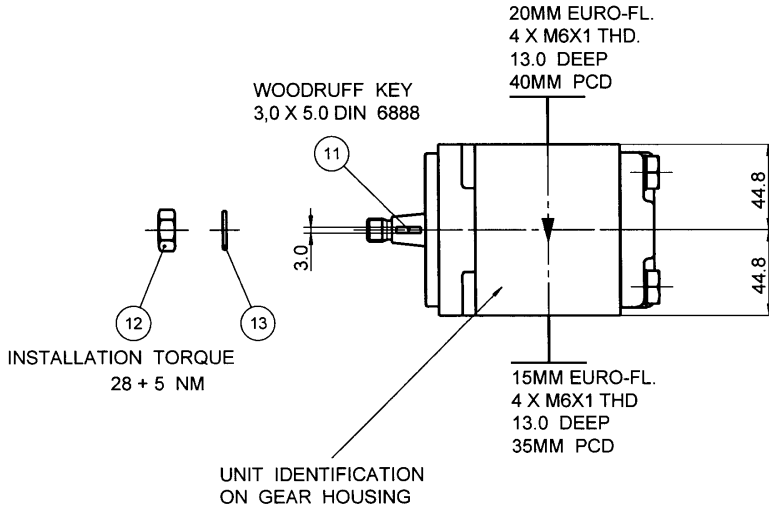
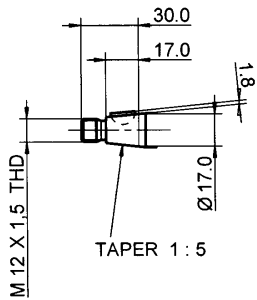
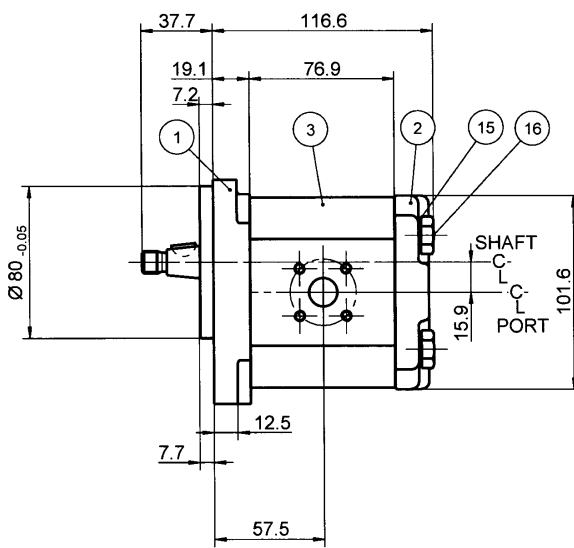
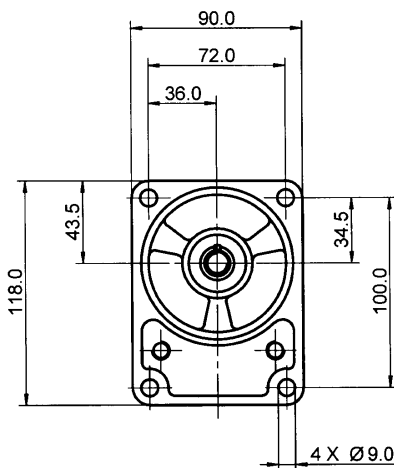


PUMP DATA	
DISPLACEMENT	23,0 ccm
MAX.CONT.PRESSURE	225 bar
SPEED RATE	500 TO 2100 min ⁻¹
MAX. INPUT SHAFT TORQUE	193 NM
ROTATION	CLOCKWISE



NOTE
 1 FOR ASSEMBLY INSTRUCTIONS SEE DWG. NO. "511-B1" "PGP511 PUMP ASSEMBLY INSTRUCTIONS".

ITEM	PART NO	REQ'D	ITEM	PART NO	REQ'D
28	8611-015-000	2	SEAL. BK-UP	36	
27	8611-016-00R	2	SEAL. CHAN.	35	
26	8898-207-00U	2	THRBLK/BSHG	34	
25				33	
24				32	
23				31	
22	9211-323-00B	1	RING, SNAP	30	391 2080 078 2
21	8301-019-00K	1	SEAL. LIP	29	9313-145-00B 2



ITEM	PART NO	REQ'D	DESCRIPTION
20			
19			
18			
17			
16	391 1401 546	4	SCREW (105 MM)
15	391 3782 231	4	WASHER
14			
13	391 3782 259	1	WASHER
12	391 1451 160	1	NUT
11	391 1781 099	1	KEY
10	334 2723 000	1	DRIVEN GEAR
9	334 1823 600	1	DRIVE GEAR
8			
7			
6			
5			
4			
3	334 8123 901	1	HOUSING. GEAR
2	332 3000 100	1	HOUSING. PEC
1	334 5041 203	1	HOUSING. SEC

THIRD ANGLE PROJECTION	
EXP NO.	
FIRST USED	
02 - 10 - 981	
334 9111 792	
SYM.	REVISIONS

THIS DOCUMENT CONTAINS INFORMATION THAT IS CONFIDENTIAL AND PROPRIETARY TO PARKER HANNIFIN CORPORATION (PARKER). THIS DOCUMENT IS FURNISHED ON THE UNDERSTANDING THAT THE DOCUMENT AND INFORMATION WILL BE NOT COPIED OR DISCLOSED TO OTHERS OR USED FOR ANY PURPOSE OTHER THAN CONDUCTING BUSINESS WITH PARKER, AND WILL BE RETURNED AND ALL FURTHER USE DISCONTINUED UPON REQUEST BY PARKER. ALL RIGHTS RESERVED.

Parker Hydraulic Controls Division
 Sachsenhydraulik GmbH
 Chemnitz

PGP511A0230CS1D4NJ7J5B1B1

MATERIAL	ADM CTR P	DR BY DATE	CH BY DATE	SCALE
H.E.-STD:	REV DTE 000000	PW 12NOV02	UH 12NOV02	1/2
	WT 4.2 Kg	334 9111 792		

DIMENSIONS ARE MM

© 2002 Parker-Hannifin Corporation