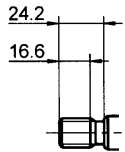
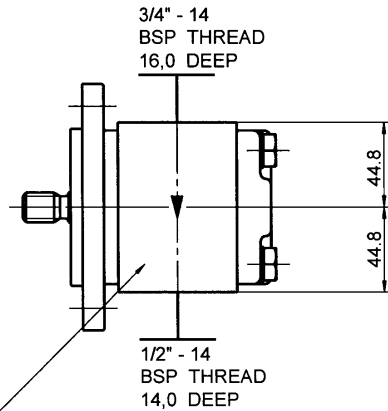


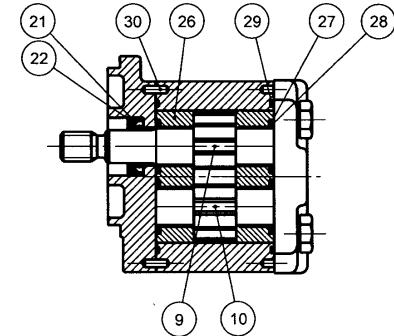
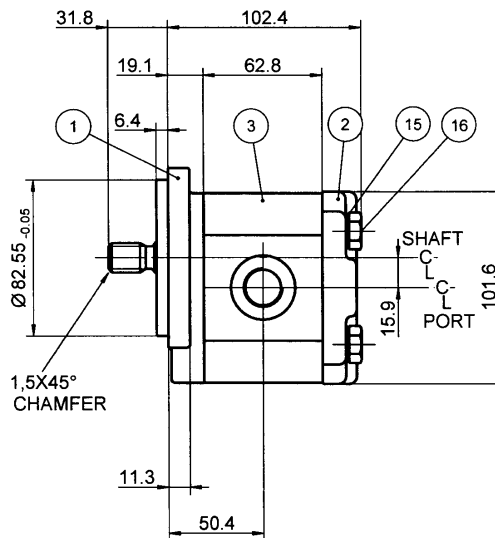
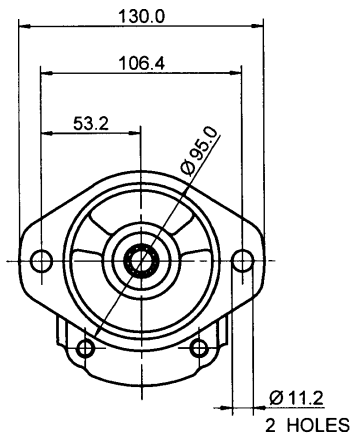
PUMP DATA	
DISPLACEMENT	14,0 ccm
MAX.CONT.PRESSURE	275 bar
SPEED RATE	500 TO 2700 min <sup>-1</sup>
MAX. INPUT SHAFT TORQUE	86 NM
ROTATION	CLOCKWISE



SAE INVOLUTE SPLINE  
9 TEETH - 16/32 PITCH  
FLAT ROOT SIDE FIT  
MAJOR DIA. 15.32 - 15.47  
MINOR DIA. 12.281 MAX.



UNIT IDENTIFICATION  
ON GEAR HOUSING



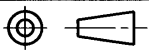
NOTE

1/ FOR ASSEMBLY INSTRUCTIONS SEE DWG. NO. "511-B1"  
"PGP511 PUMP ASSEMBLY INSTRUCTIONS".

ITEM	PART NO	REQ'D	ITEM	PART NO	REQ'D
28	8611-015-000	2	SEAL. BK-UP	36	
27	8611-016-00R	2	SEAL. CHAN.	35	
26	8898-207-00U	2	THRBLK/BSHG	34	
25				33	
24				32	
23				31	
22	9211-323-00B	1	RING, SNAP	30	391 2080 078 2 PIN. DOWEL
21	8301-019-00K	1	SEAL. LIP	29	9313-145-00B 2 SEAL. SECT.

ITEM	PART NO	REQ'D	DESCRIPTION
20			
19			
18			
17			
16	391 1401 543	4	SCREW (90 MM)
15	391 3782 231	4	WASHER
14			
13			
12			
11			
10	334 2714 000	1	DRIVEN GEAR
9	334 1114 200	1	DRIVE GEAR
8			
7			
6			
5			
4			
3	334 8114 406	1	HOUSING. GEAR
2	332 3000 100	1	HOUSING. PEC
1	334 5021 202	1	HOUSING. SEC

THIRD ANGLE PROJECTION



EXP NO.

FIRST USED

02 - 06 - 923

334 9111 563

SYM.

REVISIONS

THIS DOCUMENT CONTAINS INFORMATION THAT IS CONFIDENTIAL AND PROPRIETARY TO PARKER HANNIFIN CORPORATION ("PARKER"). THIS DOCUMENT IS FURNISHED ON THE UNDERSTANDING THAT THE DOCUMENT AND INFORMATION WILL BE NOT COPIED OR DISCLOSED TO OTHERS OR USED FOR ANY PURPOSE OTHER THAN CONDUCTING BUSINESS WITH PARKER, AND WILL BE RETURNED AND ALL FURTHER USE DISCONTINUED UPON REQUEST BY PARKER. ALL RIGHTS RESERVED.

PGP511A0140CA1H2NE5E3B1B1

MATERIAL

ADM  
CTR P

REV  
DTE 000000

H.E.-STD:

wt 3.8 Kg

DIMENSIONS ARE MM

**Parker** Hydraulic Controls Division  
Sachsenhydraulik GmbH  
Chemnitz

DR BY DATE CH BY DATE SCALE  
PG 06JUN02 WS 06JUN02 1/2

334 9111 563

© 2002 Parker-Hannifin Corporation