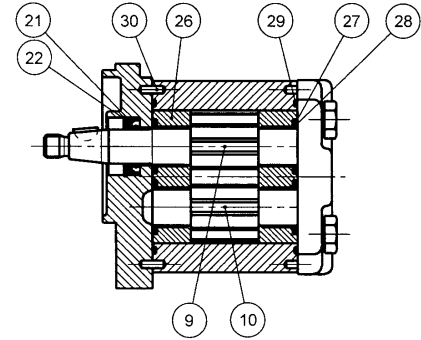
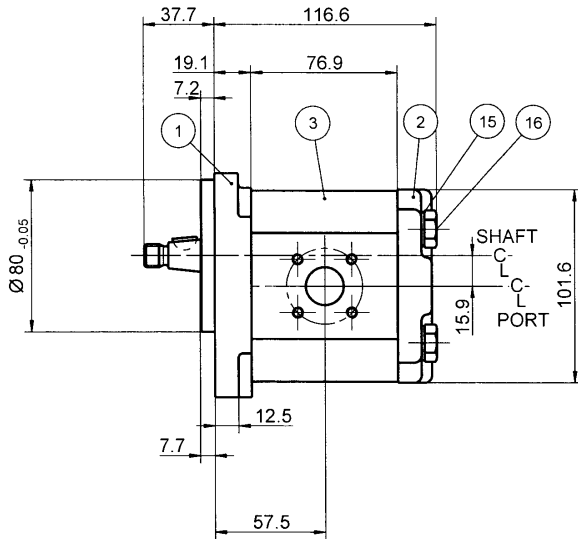
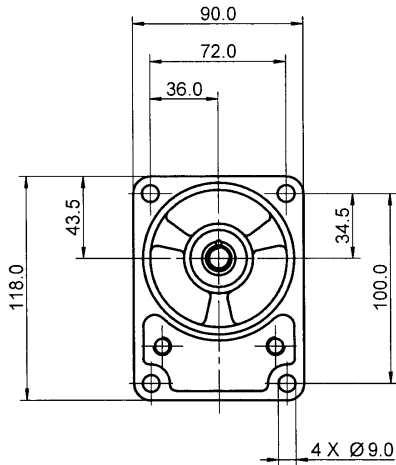
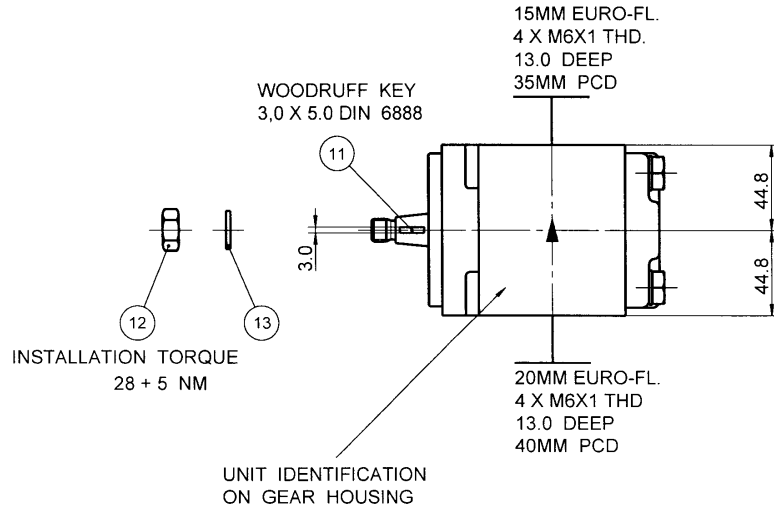
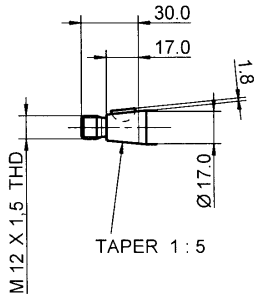


PUMP DATA	
DISPLACEMENT	23,0 ccm
MAX.CONT.PRESSURE	225 bar
SPEED RATE	500 TO 2000 min ⁻¹
MAX. INPUT SHAFT TORQUE	193 NM
ROTATION	ANTI CLOCKWISE

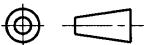


NOTE
 1 FOR ASSEMBLY INSTRUCTIONS SEE DWG. NO. "511-B1"
 "PGP511 PUMP ASSEMBLY INSTRUCTIONS".

ITEM	PART NO	REQD	ITEM	PART NO	REQD
28	8611-015-000	2	SEAL. BK-UP	36	
27	8611-016-00R	2	SEAL. CHAN.	35	
26	8898-207-00U	2	THRBLK/BSHG	34	
25				33	
24				32	
23				31	
22	9211-323-00B	1	RING, SNAP	30	391 2080 078 2 PIN, DOWEL
21	8301-019-00K	1	SEAL. LIP	29	9313-145-00B 2 SEAL. SECT.

ITEM	PART NO	REQD	DESCRIPTION
20			
19			
18			
17			
16	391 1401 546	4	SCREW (105 MM)
15	391 3782 231	4	WASHER
14			
13	391 3782 259	1	WASHER
12	391 1451 160	1	NUT
11	391 1781 099	1	KEY
10	334 2723 000	1	DRIVEN GEAR
9	334 1823 600	1	DRIVE GEAR
8			
7			
6			
5			
4			
3	334 8123 901	1	HOUSING. GEAR
2	332 3000 100	1	HOUSING. PEC
1	334 5041 203	1	HOUSING. SEC

THIRD ANGLE PROJECTION



EXP NO.

FIRST USED

02 - 06 - 916

334 9112 299

SYM.

REVISIONS

THIS DOCUMENT CONTAINS INFORMATION THAT IS CONFIDENTIAL AND PROPRIETARY TO PARKER HANNIFIN CORPORATION (PARKER). THIS DOCUMENT IS FURNISHED ON THE UNDERSTANDING THAT THE DOCUMENT AND INFORMATION WILL BE NOT COPIED OR DISCLOSED TO OTHERS OR USED FOR ANY PURPOSE OTHER THAN CONDUCTING BUSINESS WITH PARKER, AND WILL BE RETURNED AND ALL FURTHER USE DISCONTINUED UPON REQUEST BY PARKER. ALL RIGHTS RESERVED.

PGP511A0230AS1D4NJ7J5B1B1

MATERIAL

ADM CTR

P

REV DTE

18JUL02

H.E.-STD:

WT

4.2 Kg

DIMENSIONS ARE —MM—



Hydraulic Controls Division
 Sachsenhydraulik GmbH
 Chemnitz

DR. BY DATE CH. BY DATE SCALE
 PG 05JUN02 WS 05JUN02 1/2

334 9112 299

© 2002 Parker-Hannifin Corporation