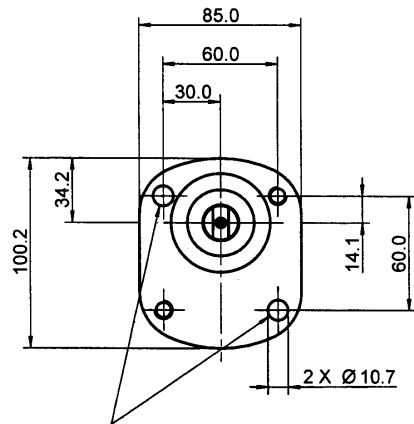
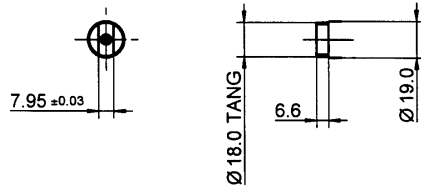
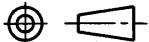


PUMP DATA	
DISPLACEMENT	6,0 ccm
MAX.CONT.PRESSURE	275 bar
SPEED RATE	500 TO 3500 min ⁻¹
MAX. INPUT SHAFT TORQUE	60 NM
ROTATION	CLOCKWISE



MOUNTING HOLES
2 X M10 - 8.8
TORQUE 42±5 Nm

THIRD ANGLE PROJECTION



EXP. NO.

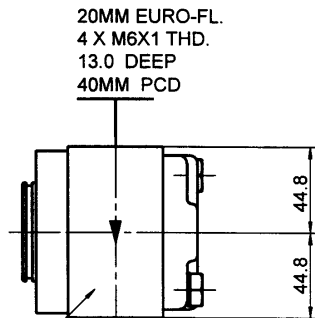
FIRST USED

01 - 12 - 935

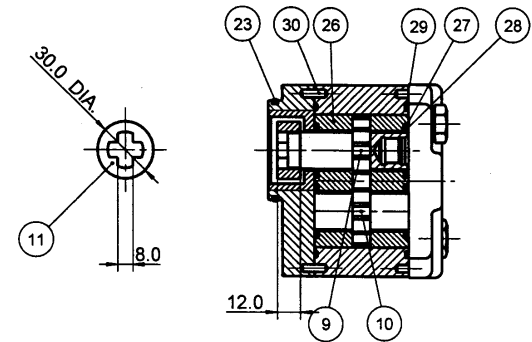
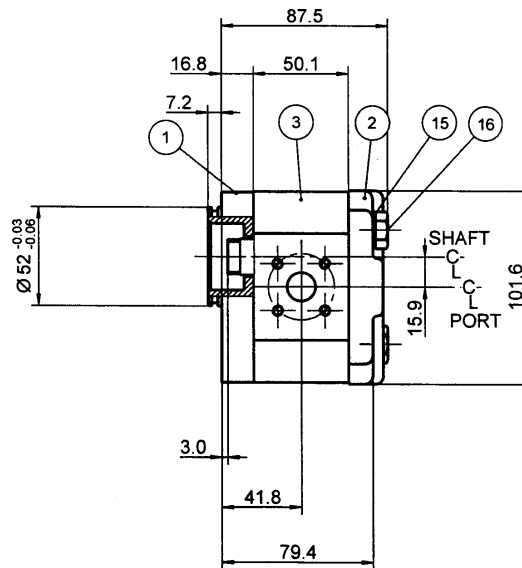
334 9111 351

SYM.

REVISIONS



UNIT IDENTIFICATION
ON GEAR HOUSING



NOTE

FOR ASSEMBLY INSTRUCTIONS SEE DWG. NO. "511-B1"
"PGP511 PUMP ASSEMBLY INSTRUCTIONS".

28	8611-015-000	2	SEAL. BK-UP	36			
27	8611-016-00R	2	SEAL. CHAN.	35			
26	8898-207-00U	2	THRBLK/BSHG	34			
25				33			
24				32			
23	391 2882 168	1	O-RING	31			
22				30	391 2080 078	2	PIN. DOWEL
21				29	9313-145-00B	2	SEAL. SECT.
ITEM	PART NO	REQD		ITEM	PART NO	REQD	

BOM. COMPONENT

20	SEE ABOVE	1	BOM. COMPONENT
19			
18			
17			
16	391 1401 541	2	SCREW (80 MM)
15	391 3782 231	2	WASHER
14			
13			
12			
11	391 9997 022	1	DRIVER
10	334 2706 000	1	DRIVEN GEAR
9	334 1406 500	1	DRIVE GEAR
8			
7			
6			
5			
4			
3	334 8106 901	1	HOUSING. GEAR
2	332 3000 100	1	HOUSING. PEC
1	334 5050 202	1	HOUSING. SEC
ITEM	PART NO	REQD	DESCRIPTION

THIS DOCUMENT CONTAINS INFORMATION THAT IS CONFIDENTIAL AND PROPRIETARY TO PARKER HANNIFIN CORPORATION ("PARKER"). THIS DOCUMENT IS FURNISHED ON THE UNDERSTANDING THAT THE DOCUMENT AND INFORMATION WILL BE NOT COPIED OR DISCLOSED TO OTHERS OR USED FOR ANY PURPOSE OTHER THAN CONDUCTING BUSINESS WITH PARKER, AND WILL BE RETURNED AND ALL FURTHER USE DISCONTINUED UPON REQUEST BY PARKER. ALL RIGHTS RESERVED.

PGP511M0060CV5Q3XJ7J5B1B1

MATERIAL

H.E.-STD:

ADM CTR P
REV DTE 000000
WT

DIMENSIONS ARE —MM—

Parker Hydraulic Controls Division
Sachsenhydraulik GmbH
Chemnitz

DR. BY DATE CH. BY DATE SCALE
PG 17DEC01 WS 17DEC01 1/2

334 9111 351

© 2001 Parker-Hannifin Corporation