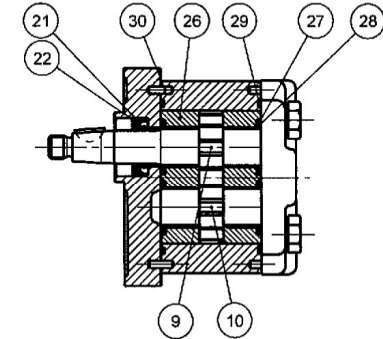
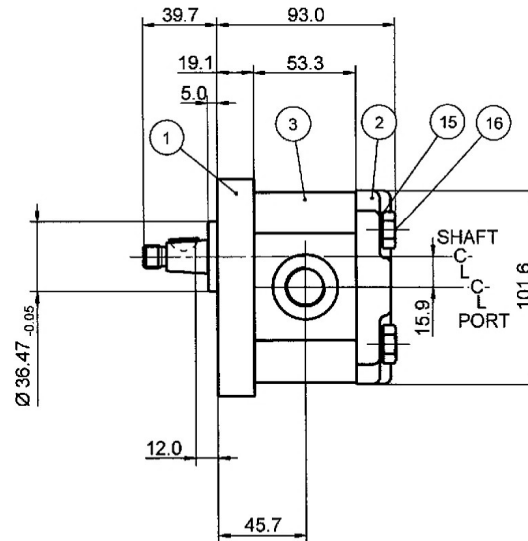
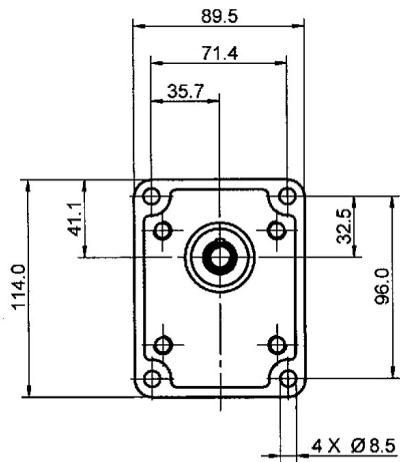
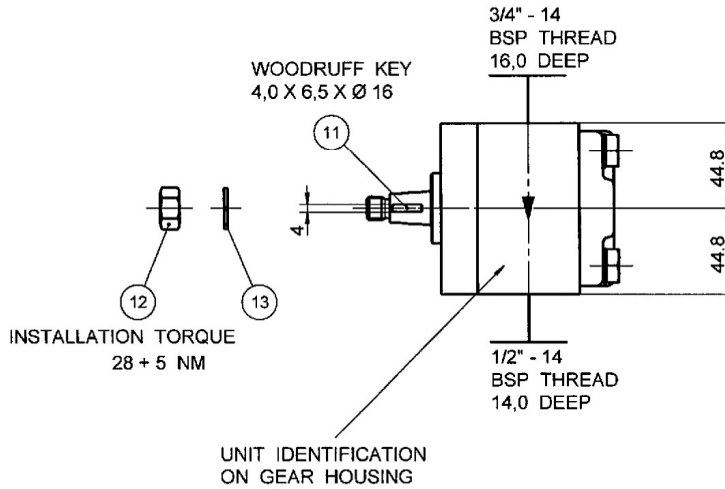
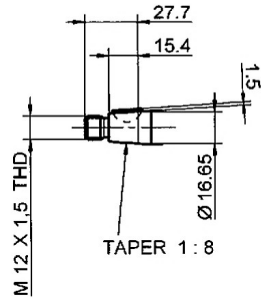


PUMP DATA	
DISPLACEMENT	8,0 ccm
MAX.CONT.PRESSURE	250 bar
SPEED RATE 500 TO	3500 min ⁻¹
MAX. INPUT SHAFT TORQUE	198 NM
ROTATION	CLOCKWISE



NOTE

FOR ASSEMBLY INSTRUCTIONS SEE DWG. NO. "511-B1" "PGP511 PUMP ASSEMBLY INSTRUCTIONS".

ITEM	PART NO	REQD	ITEM	PART NO	REQD
28	8611-015-000	2	SEAL. BK-UP	36	
27	8611-016-00R	2	SEAL. CHAN.	35	
26	8898-207-00U	2	THRBLK/BSHG	34	
25				33	
24				32	
23				31	
22	9211-323-00B	1	RING, SNAP	30	391 2080 078 2 PIN. DOWEL
21	8301-019-00K	1	SEAL. LIP	29	9313-145-00B 2 SEAL. SECT.

20					
19					
18					
17					
16	391 1401 855	4	SCREW (83 MM)		
15	391 3782 231	4	WASHER		
14					
13	391 3782 259	1	WASHER		
12	391 1451 160	1	NUT		
11	391 1781 079	1	KEY		
10	334 2708 000	1	DRIVEN GEAR		
9	334 1808 603	1	DRIVE GEAR		
8					
7					
6					
5					
4					
3	334 8108 406	1	HOUSING. GEAR		
2	332 3000 100	1	HOUSING. PEC		
1	334 5041 202	1	HOUSING. SEC		
ITEM	PART NO	REQ'D	DESCRIPTION		

THIRD ANGLE PROJECTION
EXP NO.
FIRST USED
02 - 06 - 99908
334 9111 624

SYM. REVISIONS

THIS DOCUMENT CONTAINS INFORMATION THAT IS CONFIDENTIAL AND PROPRIETARY TO PARKER HANNIFIN CORPORATION ("PARKER"). THIS DOCUMENT IS FURNISHED ON THE UNDERSTANDING THAT THE DOCUMENT AND INFORMATION WILL BE NOT COPIED OR DISCLOSED TO OTHERS OR USED FOR ANY PURPOSE OTHER THAN CONDUCTING BUSINESS WITH PARKER, AND WILL BE RETURNED AND ALL FURTHER USE DISCONTINUED UPON REQUEST BY PARKER. ALL RIGHTS RESERVED.

PGP511A0080CS4D3NE5E3B1B1

MATERIAL	ADM CTR P	DR BY DATE	CH BY DATE	SCALE
H.E.-STD:	REV DTE 000000	PW 01JUL02	WS 01JUL02	1/2
wt 3.6 Kg	DIMENSIONS ARE MM	334 9111 624		
© 2002 Parker-Hannifin Corporation				

Parker Hydraulic Controls Division
Sachsenhydraulik GmbH
Chemnitz