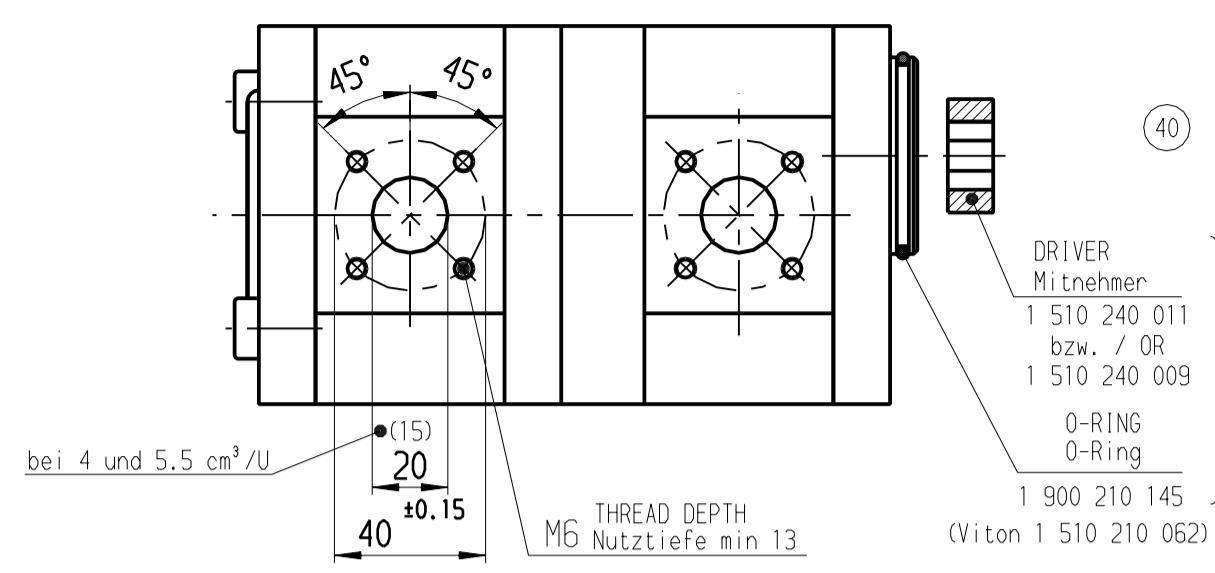
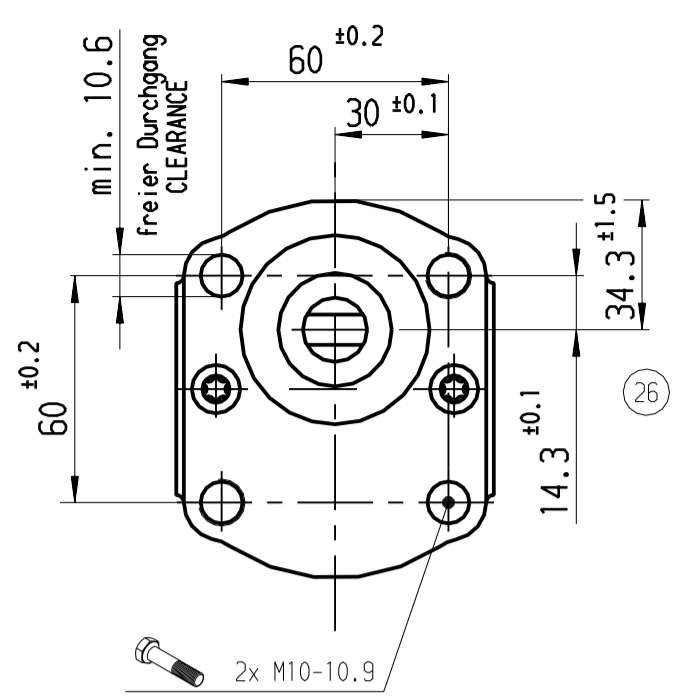
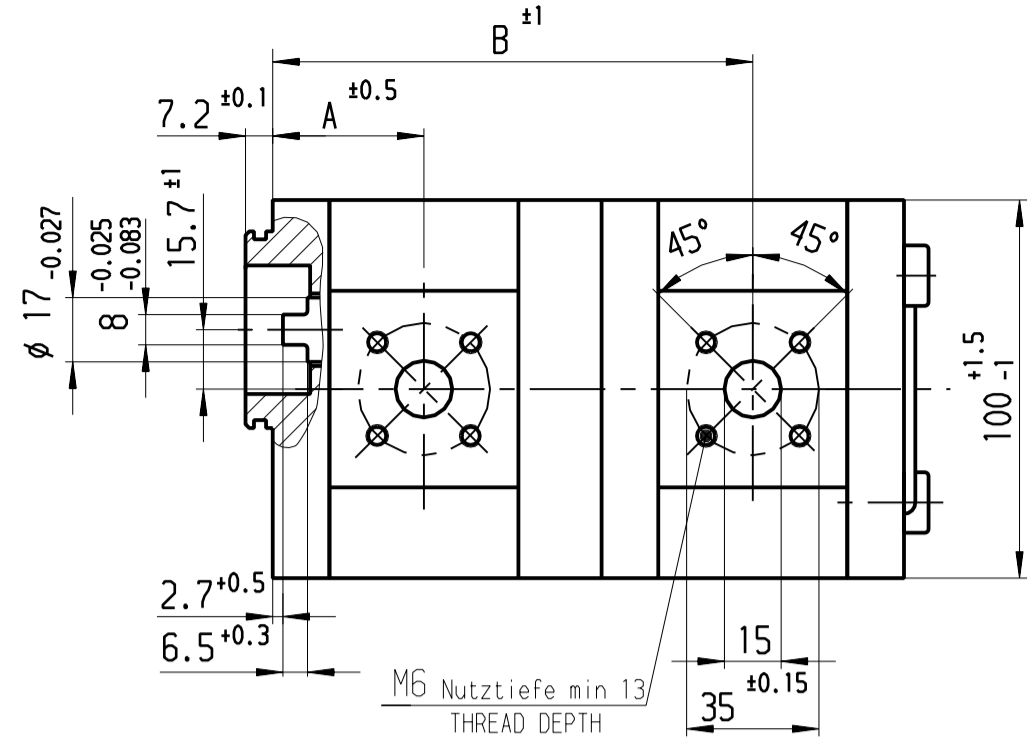


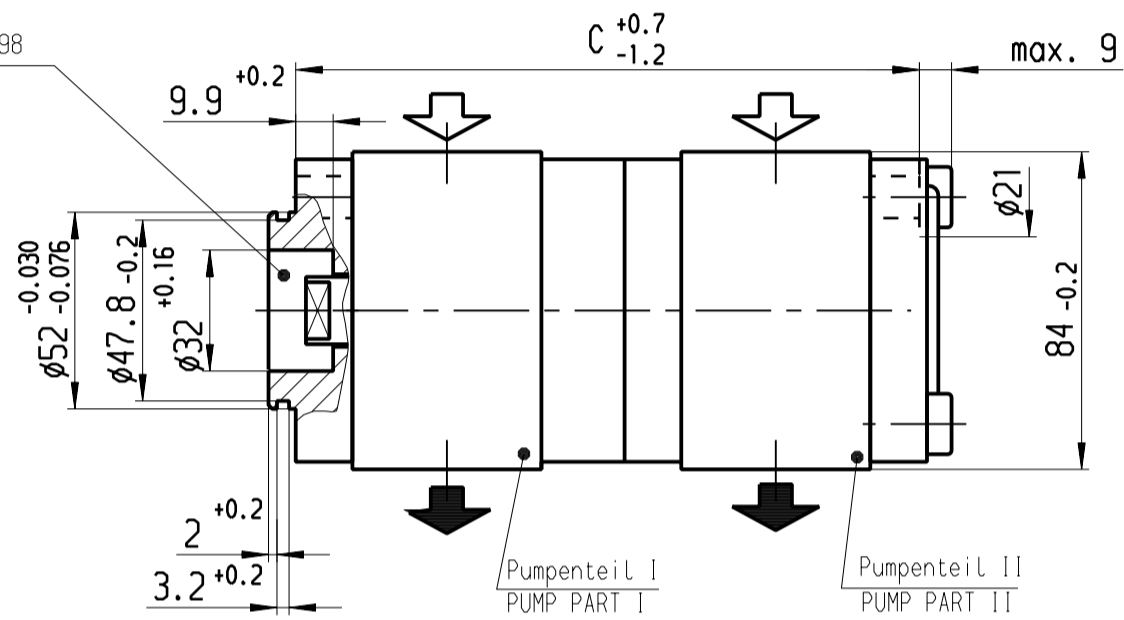
© THIS DRAWING IS THE PROPERTY OF BOSCH REXROTH AG. ALL RIGHTS RESERVED. NOT TO BE REPRODUCED OR TRANSMITTED IN ANY FORM OR BY ANY MEANS, ELECTRONIC OR MECHANICAL, INCLUDING PHOTOCOPYING, RECORDING, OR BY ANY INFORMATION STORAGE AND RETRIEVAL SYSTEM.

© Alle Rechte bei Bosch Rexroth AG, auch für den Fall von Schutzrechtsverletzungen, wie Vervielfältigungs-, Kopier- und Weitergaberecht, bei uns.

We'll. Fremdspr. Angebotszeichnungen FURTHER FOREIGN LANGUAGE OFFER DINGS



Pumpe ohne Abdichtung
 Wellenabdichtung nach Y 510 201 598
 NO SHAFT SEAL
 SEALING SEE Y 510 201 598



HINWEISE UND ANGABEN

Betriebsbedingungen siehe Y 510 201 598

Die Darstellung zeigt eine rechtsdrehende Pumpe (Auf Antriebswelle gesehen).
 Bei Linksdrehender Pumpe ist Druck- und Sauganschluß vertauscht.
 Die Pumpe darf nur in angegebener Drehrichtung drehen.

Alle Ölschlüsse für Transport und Lagerung staubdicht verschlossen, z.B. mit Kunststoffstopfen

ADDITIONAL INFORMATION

WORKING CONDITIONS SEE Y 510 201 598

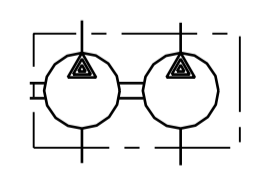
CW ROTATION SHOWN.
 CCW ROTATION PUMPS HAVE PRESSURE AND SUCTION PORT ON OPPOSITE SIDE. PUMP MUST BE DRIVEN IN PROPER DIRECTION ONLY.

ALL OIL PORTS CLOSED PROPERLY AGAINST DUST FOR TRANSPORT AND STORAGE, E.G. WITH PLASTIC CLOSURE CAPS.

| B | 510 236 535 | 0 510 765 312 | AZPFF-10-022/008LNM2020MB | Links/CCW | 22.5 | 8 | 3000 | 210 | 280 | 52.5 | 152.8 | 192.4 |
|---|-------------|---------------|---------------------------------|-----------|------|-----|------|-----|-----|------|-------|-------|
| B | 510 236 534 | | | rechts/CW | 22.5 | 8 | 3000 | 210 | 280 | 52.5 | 152.8 | 192.4 |
| B | 510 236 530 | 0 510 665 339 | AZPFF-10-016/016LNM2020MB | Links/CCW | 16 | 16 | 3000 | 280 | 230 | 45.0 | 146.7 | 195.4 |
| B | 510 236 529 | 0 510 665 030 | AZPFF-10-016/016RNM2020MB | rechts/CW | 16 | 16 | 3000 | 280 | 230 | 45.0 | 146.7 | 195.4 |
| B | 510 236 528 | | | Links/CCW | 16 | 11 | 3000 | 280 | 280 | 45.0 | 146.2 | 187.0 |
| B | 510 236 527 | | | rechts/CW | 16 | 11 | 3000 | 280 | 280 | 45.0 | 146.2 | 187.0 |
| B | 510 236 526 | 0 510 665 331 | AZPFF-10-016/008LNM2020MB | Links/CCW | 16 | 8 | 3000 | 280 | 280 | 45.0 | 142.4 | 182.0 |
| B | 510 236 525 | 0 510 665 171 | AZPFF-10-016/008RNM2020MB | rechts/CW | 16 | 8 | 3000 | 280 | 280 | 45.0 | 142.4 | 182.0 |
| B | 510 236 524 | | | Links/CCW | 16 | 5.5 | 3000 | 280 | 280 | 45.0 | 140.3 | 177.9 |
| B | 510 236 523 | | | rechts/CW | 16 | 5.5 | 3000 | 280 | 280 | 45.0 | 140.3 | 177.9 |
| B | 510 236 522 | | | Links/CCW | 16 | 4 | 3000 | 280 | 280 | 45.0 | 139.1 | 175.4 |
| B | 510 236 521 | | | rechts/CW | 16 | 4 | 3000 | 280 | 280 | 45.0 | 139.1 | 175.4 |
| B | 510 236 520 | | | Links/CCW | 11 | 11 | 3500 | 280 | 280 | 44.5 | 137.8 | 178.6 |
| B | 510 236 519 | | | rechts/CW | 11 | 11 | 3500 | 280 | 280 | 44.5 | 137.8 | 178.6 |
| B | 510 236 518 | 0 510 565 379 | AZPFF-10-011/008LNM2020MB | Links/CCW | 11 | 8 | 3500 | 280 | 280 | 44.5 | 134.0 | 173.6 |
| B | 510 236 517 | 0 510 565 078 | AZPFF-10-011/008RNM2020MB | rechts/CW | 11 | 8 | 3500 | 280 | 280 | 44.5 | 134.0 | 173.6 |
| B | 510 236 516 | | | Links/CCW | 11 | 5.5 | 3500 | 280 | 280 | 44.5 | 131.9 | 169.5 |
| B | 510 236 515 | 0 510 565 016 | AZPFF-10-011/005RNM2020MB | rechts/CW | 11 | 5.5 | 3500 | 280 | 280 | 44.5 | 131.9 | 169.5 |
| B | 510 236 514 | 0 510 565 329 | AZPFF-10-011/004LNM2020MB | Links/CCW | 11 | 4 | 3500 | 280 | 280 | 44.5 | 130.7 | 167.0 |
| B | 510 236 513 | 0 510 565 015 | AZPFF-10-011/004RNM2020MB | rechts/CW | 11 | 4 | 3500 | 280 | 280 | 44.5 | 130.7 | 167.0 |
| B | 510 236 105 | 0 510 465 381 | AZPFF-11-008/016LNM2020PB-S0055 | Links/CCW | 8 | 16 | 3000 | 280 | 230 | 40.7 | 133.3 | 182.0 |
| B | 510 236 512 | | | Links/CCW | 8 | 8 | 4000 | 280 | 280 | 40.7 | 129.0 | 168.6 |
| B | 510 236 511 | 0 510 465 008 | AZPFF-10-008/008RNM2020MB | rechts/CW | 8 | 8 | 4000 | 280 | 280 | 40.7 | 129.0 | 168.6 |
| B | 510 236 510 | 0 510 465 346 | AZPFF-10-008/005LNM2020MB | Links/CCW | 8 | 5.5 | 4000 | 280 | 280 | 40.7 | 126.9 | 164.5 |
| B | 510 236 509 | | | rechts/CW | 8 | 5.5 | 4000 | 280 | 280 | 40.7 | 126.9 | 164.5 |
| B | 510 236 508 | 0 510 465 323 | AZPFF-10-008/004LNM2020MB | Links/CCW | 8 | 4 | 4000 | 280 | 280 | 40.7 | 125.7 | 162.0 |
| B | 510 236 507 | 0 510 465 012 | AZPFF-10-008/004RNM2020MB | rechts/CW | 8 | 4 | 4000 | 280 | 280 | 40.7 | 125.7 | 162.0 |
| B | 510 236 106 | 0 510 365 319 | AZPFF-11-005/011LNM2020PB-S0055 | Links/CCW | 5.5 | 11 | 3500 | 280 | 280 | 38.6 | 128.8 | 169.5 |
| B | 510 236 104 | 0 510 365 022 | AZPFF-11-005/011RNM2020PB-S0055 | rechts/CW | 5.5 | 11 | 3500 | 280 | 280 | 38.6 | 128.8 | 169.5 |
| B | 510 236 549 | | AZPFF-11-005/008RNM2020PB-S0055 | rechts/CW | 5.5 | 8 | 4000 | 280 | 280 | 38.6 | 124.9 | 164.5 |
| B | 510 236 506 | | | Links/CCW | 5.5 | 5.5 | 4000 | 280 | 280 | 38.6 | 122.8 | 160.4 |
| B | 510 236 505 | | | rechts/CW | 5.5 | 5.5 | 4000 | 280 | 280 | 38.6 | 122.8 | 160.4 |
| B | 510 236 504 | 0 510 365 314 | AZPFF-10-005/004LNM2020MB | Links/CCW | 5.5 | 4 | 4000 | 280 | 280 | 38.6 | 121.6 | 157.9 |
| B | 510 236 503 | 0 510 365 010 | AZPFF-10-005/004RNM2020MB | rechts/CW | 5.5 | 4 | 4000 | 280 | 280 | 38.6 | 121.6 | 157.9 |
| B | 510 236 502 | | | Links/CCW | 4 | 4 | 4000 | 280 | 280 | 37.4 | 119.1 | 155.4 |
| B | 510 236 501 | | | rechts/CW | 4 | 4 | 4000 | 280 | 280 | 37.4 | 119.1 | 155.4 |

| DRAWING | PART NUMBER | DESIGNATION | DIR. OF ROTATION | DISPLACEMENT | SPEED | MAX. PRESSURE | DIMENSIONS | REMARKS | PI P II | |
|---------|-------------|-------------|------------------|--------------|-------|---------------|------------|---------|-----------------------|------------------|
| | | | | | | | | | Fördervolumen [cm³/U] | Drehzahl [U/min] |
| | | | | | | | | | | |

33
36
34
37



| | | | | | | | | | |
|---|--|--|--|---------------------|--|------------------------|--|---------------------------------------|--|
| Dokumentenart/ DOCUMENT TYPE AGZ | | Nicht tol. Maße NON-TOLERANCED DIM. ± 0.3 mm, ± 1' | | ISO E | | Maßstab SCALE 1:2 | | Gewicht WEIGHT OFFER DRAWING | |
| Benennung/ TITLE Hydrozahnradpumpe Baureihe "AZPFF" | | | | Original: DC-MA/EPE | | Nr./ NO. A 510 236 501 | | Blatt SHEET 1 | |
| Rexroth Bosch Group | | MED | | Ers.f./ REPLACES | | de/en | | Ausfüllanleitung N12A D11/1 beachten! | |

OBSERVE INSTRUCTIONS FOR FILLING OUT N12A D11/1