

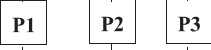
ORDERING CODE & OPERATING CHARACTERISTICS - T6DCC SERIES INDUSTRIAL APPLICATION

➤ T6DCC - 035 - 022 - 010 - 1 R 00 - A 1-01

Model No.

T6DCC - 038 - 028 - 008 - 1 R 00 - A 1-00

Series



Cam ring for "P1"

(Delivery at 0 bar & 1500 r.p.m.)

014 = 71,4 l/min	035 = 166,5 l/min
017 = 87,3 l/min	038 = 180,4 l/min
020 = 99,0 l/min	042 = 204,0 l/min
024 = 119,3 l/min	045 = 218,5 l/min
028 = 134,5 l/min	050 = 237,0 l/min
031 = 147,4 l/min	

Cam ring for "P2" & "P3"

(Delivery at 0 bar & 1500 r.p.m.)

003 = 16,2 l/min	017 = 87,4 l/min
005 = 25,8 l/min	020 = 95,7 l/min
006 = 31,9 l/min	022 = 105,4 l/min
008 = 39,6 l/min	025 = 118,9 l/min
010 = 51,1 l/min	028 = 133,2 l/min
012 = 55,6 l/min	031 = 150,0 l/min
014 = 69,0 l/min	

Modification

Mounting W/connection variables

Type	UNC		Metric	
P3	1"	3/4"	1"	3/4"
Code	00	01	M0	M1

Seal class

- 1 = S1 (for mineral oil)
- 4 = S4 (for resistant fluids)
- 5 = S5 (for mineral oil and fire resistant fluids)

Design letter

Porting combination (see pages 30 - 31)

00 = standard

Direct. of rotation (view on shaft end)

R = clockwise

L = counter-clockwise

Type of shaft

1 = keyed (no SAE)

2 = keyed (SAE CC)

3 = splined (SAE C)

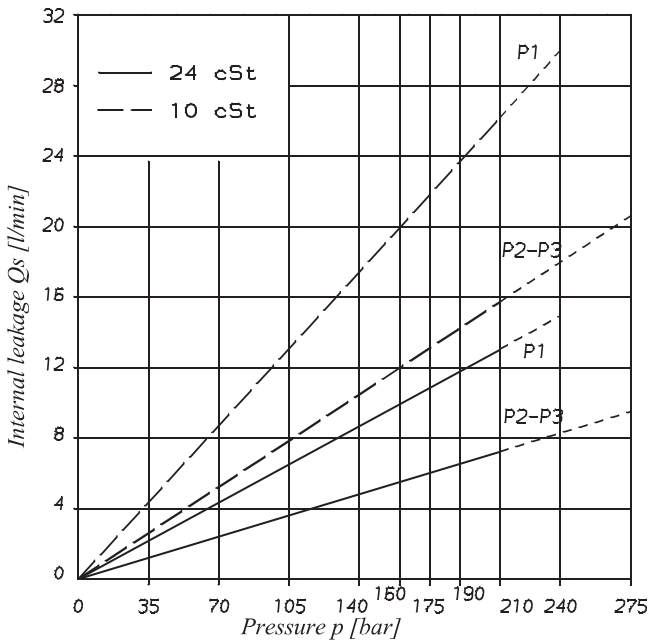
4 = splined (SAE CC)

OPERATING CHARACTERISTICS - TYPICAL [24 cSt]

Pressure port	Series	Volumetric Displacement Vi	Flow q _v [l/min] & n = 1500 RPM			Input power P [kW] & n = 1500 RPM		
			p = 0 bar	p = 140 bar	p = 240 bar	p = 7 bar	p = 140 bar	p = 240 bar
P1	014	47,6 ml/rev	71,4	62,1	55,9	2,3	18,5	30,6
	017	58,2 ml/rev	87,3	78,0	71,8	2,5	22,2	37,0
	020	66,0 ml/rev	99,0	89,7	83,5	2,8	24,9	41,7
	024	79,5 ml/rev	119,3	110,0	103,8	3,0	29,6	49,8
	028	89,7 ml/rev	134,5	125,2	119,0	3,2	33,2	55,9
	031	98,3 ml/rev	147,4	138,1	131,9	3,3	36,2	61,0
	035	111,0 ml/rev	166,5	157,2	151,0	3,5	40,7	68,7
	038	120,3 ml/rev	180,4	171,1	164,9	3,7	43,9	74,3
	042 ²⁾	136,0 ml/rev	204,0	194,7	188,5	4,0	49,4	83,7
	045 ²⁾	145,7 ml/rev	218,5	209,2	203,0	4,1	52,8	89,5
	050 ²⁾	158,0 ml/rev	237,0	227,7	224,0 ¹⁾	4,4	57,0	85,0 ¹⁾
P2 & P3	003	10,8 ml/rev	16,2	11,2	7,7	1,3	5,3	8,4
	005	17,2 ml/rev	25,8	20,8	17,3	1,4	7,5	12,2
	006	21,3 ml/rev	31,9	26,9	23,4	1,5	8,9	14,7
	008	26,4 ml/rev	39,6	34,6	31,1	1,6	10,7	17,7
	010	34,1 ml/rev	51,1	46,1	42,6	1,7	13,4	22,3
	012	37,1 ml/rev	55,6	50,6	47,1	1,7	14,4	24,1
	014	46,0 ml/rev	69,0	64,0	60,5	1,9	17,6	29,5
	017	58,3 ml/rev	87,4	82,4	78,9	2,1	21,9	36,9
	020	63,8 ml/rev	95,7	90,7	87,2	2,2	23,8	40,2
	022	70,3 ml/rev	105,4	100,4	96,9	2,3	26,1	44,1
	025	79,3 ml/rev	118,9	113,9	110,4	2,5	29,2	49,5
	028	88,8 ml/rev	133,2	128,2	125,8 ¹⁾	2,8	32,7	48,5 ¹⁾
	031	100,0 ml/rev	150,0	145,0	142,6 ¹⁾	2,8	36,5	54,4 ¹⁾

1) 028 - 031 - 050 = 210 bar max. int. 2) 042 - 045 - 050 = 2200 R.P.M. max

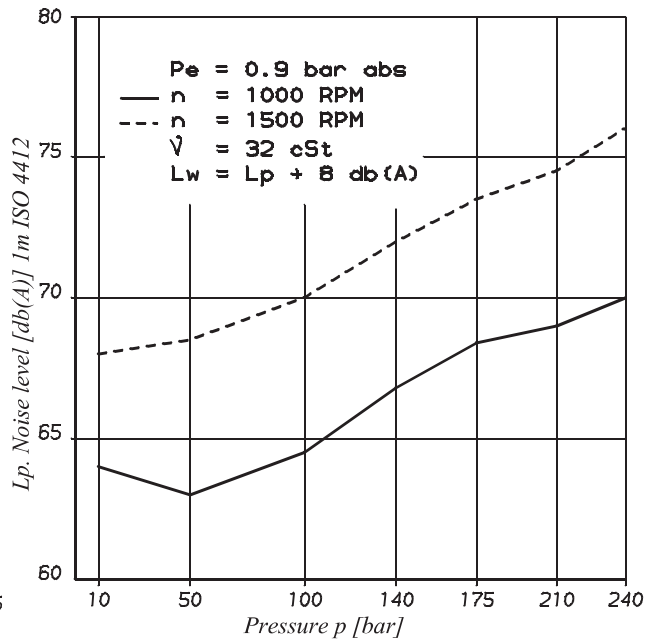
INTERNAL LEAKAGE (TYPICAL)



Total leakage is the sum of each section loss at its operating conditions.

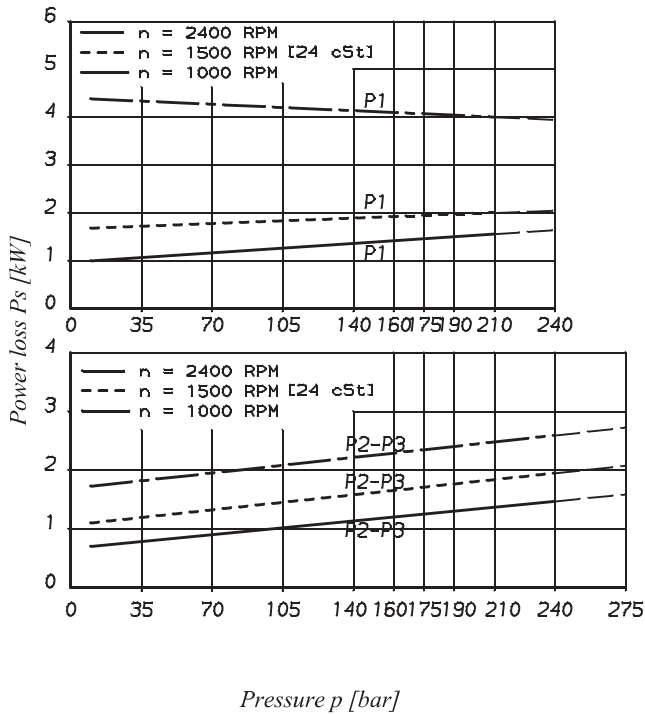
NOISE LEVEL (TYPICAL)

T6DCC - 038 - 022 - 022



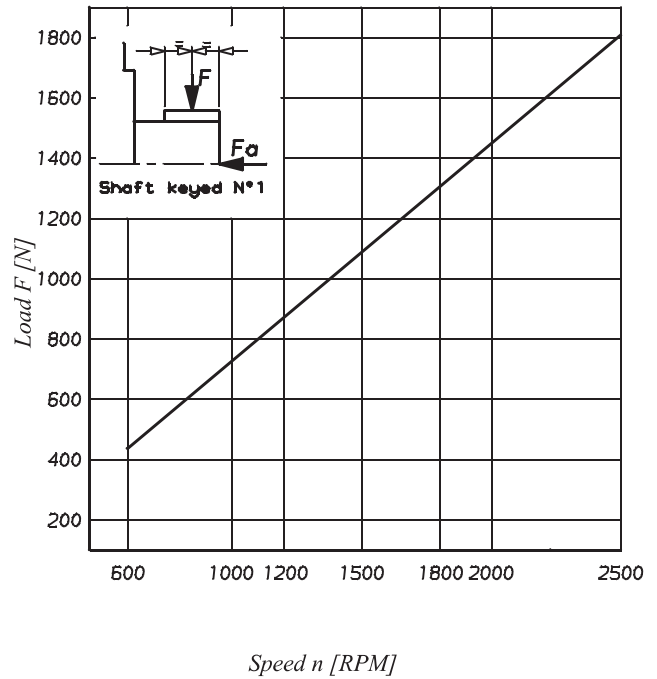
Triple pump noise level is given with each section discharging at the pressure noted on the curve.

POWER LOSS HYDROMECHANICAL (TYPICAL)

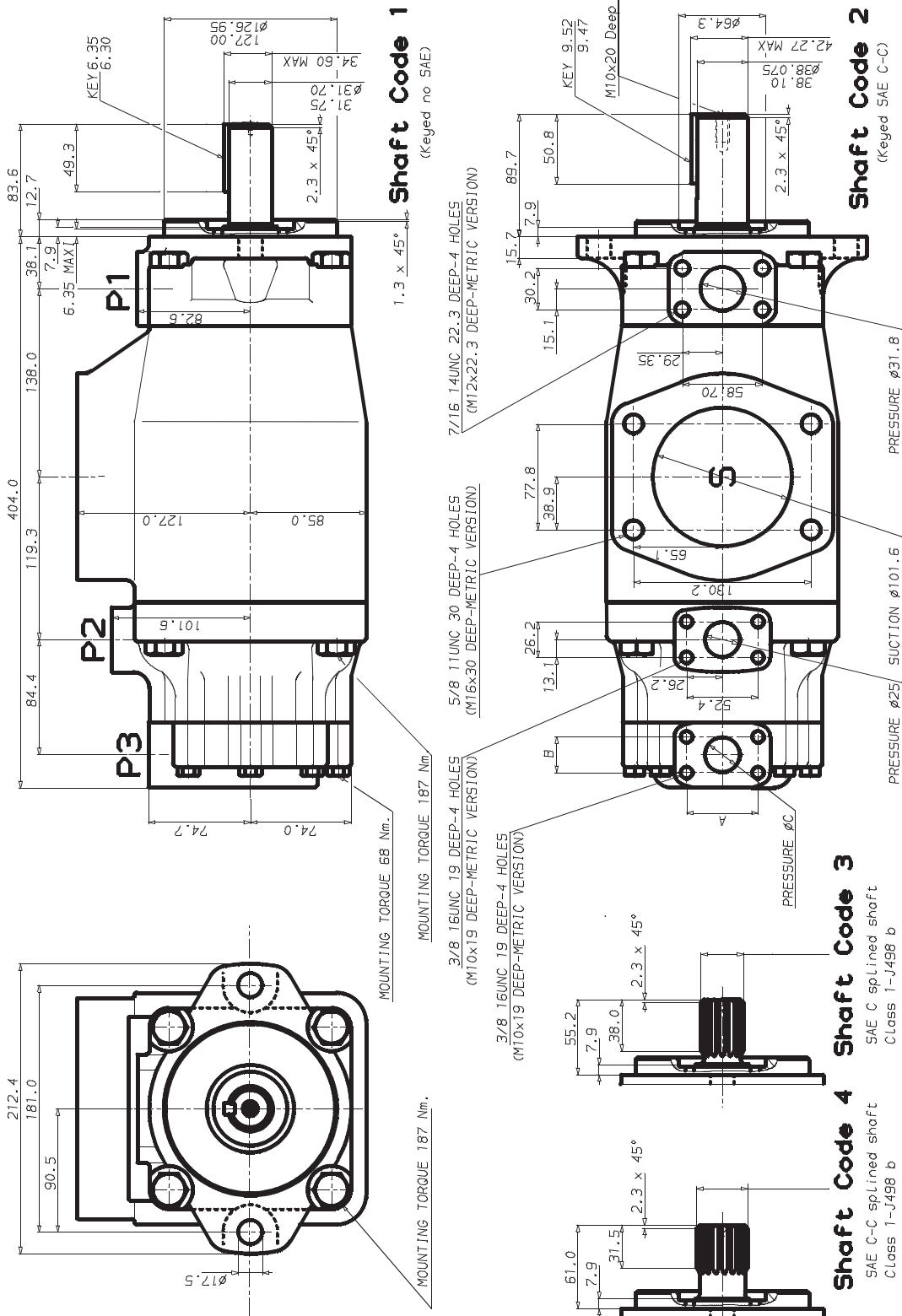


Total hydrodynamic power loss is the sum of each section at its operating conditions.

PERMISSIBLE RADIAL LOAD



Maximum permissible axial load $F_a = 1200$ N



Port	Alternate port		
	Code	A	B
P3	00 & M0	52,4	26,2
P3	01 & M1	47,6	22,2
			ØC
			25,4
			19,0

Pump	Shaft torque limits (m/rev x bar)		
	Shaft	Vi x p max. P1 + P2 + P3	Vi x p max. P1 + P2 + P3
T6DCC	1	43240	61200
	2	66500	66500