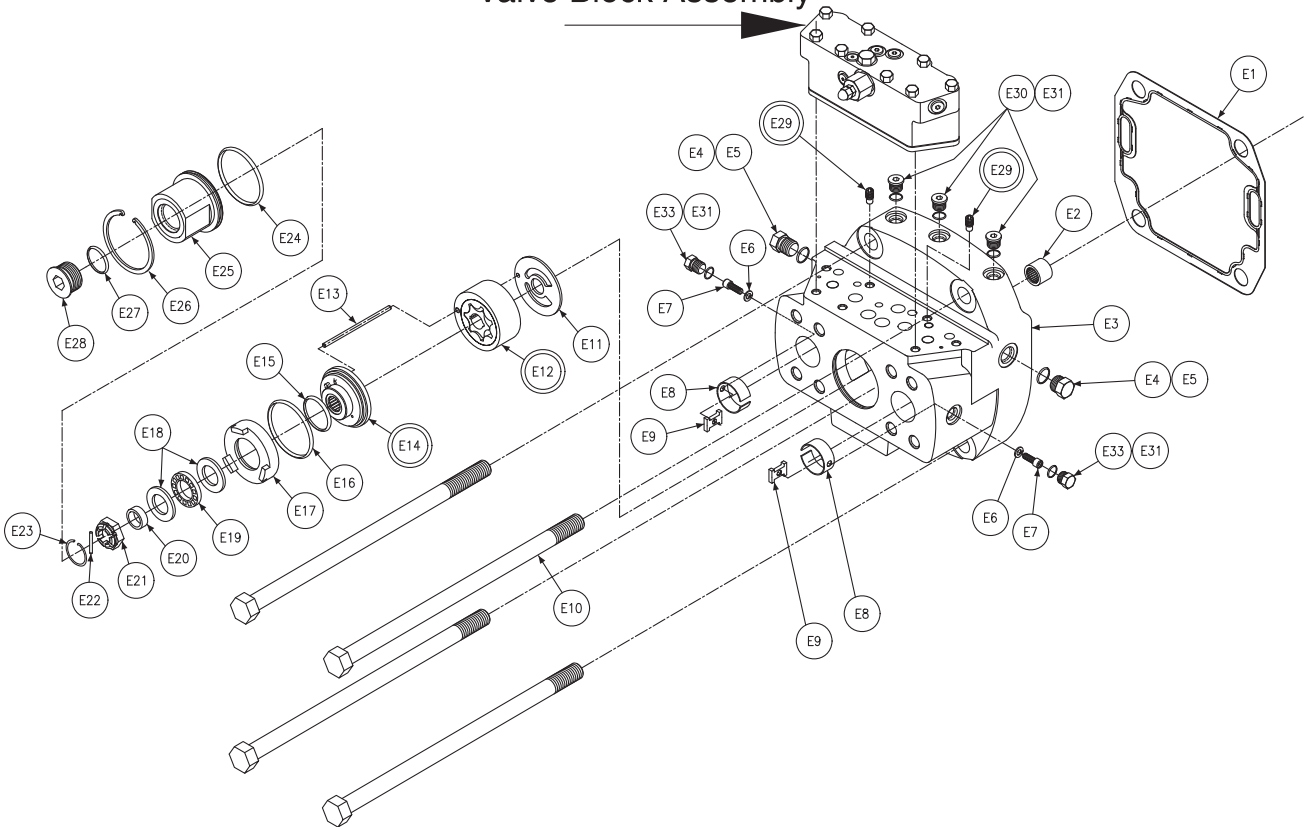


Reference  
Section F  
Valve Block Assembly



Section View - E - Pump Type - P & D - Port Block Assembly

Section E						
P6/7/8 P/D Port Block						
Balloon #	Pump Type	Rotation	Seal Code	Item #	Description	Qty
E1	P6/7/8 P/D	**	**	033-91060-0	Port Block Gasket Housing	1
E2	P6/7/8 P/D	**	**	230-82146-0	Needle Bearing	1
E3	P6/7/8 P/D	**	**	033-71296-0	Port Block	1
E4	P6/7/8 P/D	**	**	488-35002-0	Hex Hd Plug	2
E5	P6/7/8 P/D	**	1	691-00908-0	Gasket O-ring	2
	P6/7/8 P/D	**	4	694-00908-0		
	P6/7/8 P/D	**	5	695-00908-0		
E6	P6/7/8 P/D	**	**	348-10016-0	Washer, Lock	2
E7	P6/7/8 P/D	**	**	033-70908-0	Screw	2
E8	P6/7/8 P/D	**	**	033-70502-0	Ring Check, P6/7/8	2
E9	P6/7/8 P/D	**	**	033-70489-0	Clamp	2
E10	P6/7/8 P/D	**	**	306-40056-0	Hex Hd Cap Screw	4
E11	P6/7/8 P/D	**	**	033-71492-0	Side plate	1
E12	P6/7/8 P/D	**	**	S13-43334-0	Eccentric Ring and Gerotor	1
E13	P6/7/8 P/D	**	**	324-21225-0	Dowel Pin	1
E14	P6/7/8 P/D	CW	**	S13-46762-0	Side Plate and Bearing	1
	P6/7/8 P/D	CCW	**	S13-46763-0		
E15	P6/7/8 P/D	**	1	671-00129-0	Gasket O-ring	1
	P6/7/8 P/D	**	4	674-00129-0		
	P6/7/8 P/D	**	5	675-00129-0		
E16	P6/7/8 P/D	**	1	671-00144-0	Gasket O-ring	1
	P6/7/8 P/D	**	4	674-00144-0		
	P6/7/8 P/D	**	5	675-00144-0		
E17	P6/7/8 P/D	**	**	033-70531-0	Pressure Plate	1
E18	P6/7/8 P/D	**	**	350-10065-0	Thrust Washer	2
E19	P6/7/8 P/D	**	**	230-82131-0	Thrust Bearing	1
E20	P6/7/8 P/D	**	**	033-71490-0	Ring, Seal	1
E21	P6/7/8 P/D	**	**	033-53922-0	Holddown Nut	1
E22	P6/7/8 P/D	**	**	033-53921-0	Retaining Pin	1
E23	P6/7/8 P/D	**	**	033-53923-0	Ring, Retaining	1
E24	P6/7/8 P/D	**	1	671-00147-0	Gasket O-ring	1
	P6/7/8 P/D	**	4	674-00147-0		
	P6/7/8 P/D	**	5	675-00147-0		
E25	P6/7/8 P/D	**	**	033-72100-0	Auxiliary End Cover	1
E26	P6/7/8 P/D	**	**	356-65082-0	Ring, Retaining	1
E27	P6/7/8 P/D	**	1	691-00916-0	Gasket O-ring	1
	P6/7/8 P/D	**	4	694-00916-0		
	P6/7/8 P/D	**	5	695-00916-0		
E28	P6/7/8 P/D	**	**	488-35024-0	Plug	1
E29	P6/7/8 P/D	**	**	S13-40266-0	Check Valve	2
E30	P6/7/8 P/D	**	**	488-35041-0	Plug	3
E31	P6/7/8 P/D	**	1	691-00906-0	Gasket O-ring	5
	P6/7/8 P/D	**	4	694-00906-0		
	P6/7/8 P/D	**	5	695-00906-0		
E33	P6/7/8 P/D	**	**	488-35003-0	Hex Hd Plug	2

Gerotor Assembly Kit	Pump Type	Rotation	Part Number
Composed of Items: E2,E11,E12, E13,E14,E15,E16,E17,E18,E19,& E20	P/V/D/S/X	CW	S13-47314-0
N/A for R/L Versions	P/V/D/S/X	CCW	S13-47315-0

