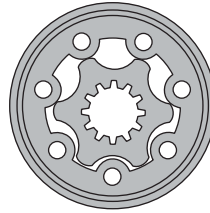


Planetenmotor EPM®

Planetarymotor EPM®



Anwendung

- Förderbänder
- Fördertechnik für Roboter
- Textilmaschinen
- Werkzeugmaschinen
- Nahrungsmittelindustrie
- Landmaschinen
- u.a.

Bauweise und Ausführungen

- Modell: Längsschieberventil, Planetensatz
- Flansch: Ovalflansch, Quadratflansch, Radflansch
- Anschlüsse: Hinten oder seitlich metrisches oder BSPP Gewinde
- Lagerung: Mit und ohne Radialnadellager
- Wellen: Zylindrisch, konisch oder verzahnt
- Wellendichtung: Für hohen und niedrigen Druck
- Drehzahlsensorik
- Sonderausführungen

Application

- Conveyors
- Feeding mechanism of robots and manipulators
- Textile machines
- Machine tools
- Food industries
- Agriculture machines
- etc.

Construction and options

- Model: Spool valve, gerotor
- Flange: Ovalflange, squareflange or wheelflange
- Ports: Rear or side ports, metric or BSPP threaded ports
- Bearing: With or without radial needle bearing
- Shafts: Cylindrical, tapered or splined
- Shaft seal: For high and low pressure
- Speed sensing
- Other special features

Übersicht Overview

Max. Schluckvolumen	Max. Displacement	cm ³ /U	ccm/rev	[in ³ /rev]	25,0 - 623,6 [1.52 - 38.05]
Max. Drehzahl	Max. Speed	U/min	RPM		1815
Max. Drehmoment	Max. Torque	daNm		[in-lb]	64 [5565]
Max. Leistungsabgabe	Max. Output	kW		[HP]	12,8 [17.1]
Max. Druckgefälle	Max. Pressure drop	bar		[PSI]	175 [2540]
Max. Ölstrom	Max. Oil flow	l/min	lpm	[GPM]	75 [18.5]
Min. Drehzahl	Min. Speed	U/min	RPM		10
Hydrauliköl	Pressure fluid				HLP (DIN 51524) oder or HM (ISO 6743/4)
Öltemperatur	Temperature range	°C		[°F]	-40 - 140 [-40 - 284]
Optimalviskosität	Optimal viscosity range	mm ² /s		[SUS]	20 - 75 [98 - 347]
Filterierung	Filtration				ISO Code 20/16 (min. empfohlene Filterierung recommended filtration 25 µm)

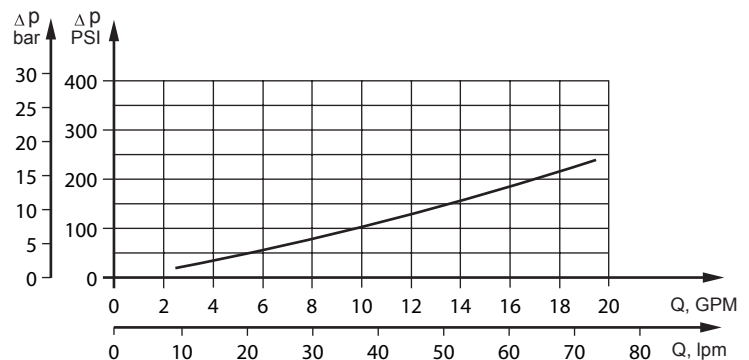
Ölstrom in der Leckölleitung

Oil flow in drain line

Druckgefälle Pressure drop bar [PSI]	Viskosität Viscosity mm ² /s [SUS]	Ölstrom Oilflow l/min lpm [GPM]
140 [2030]	20 [98]	2,5 [.660]
	35 [164]	1,8 [.476]
210 [3045]	20 [98]	3,5 [.925]
	35 [164]	2,8 [.740]

Druckverlust

Pressure losses



Technische Daten *Technical datas*

Für EPM Motoren mit C, CO, SH, K und SA Wellen (Dichtungsdurchmesser Ø28,56)
For EPM motors with C, CO, SH, K and SA shafts (sealing diameter Ø28,56)

Typ <i>Type</i>		EPM 25	EPM 32	EPM 40	EPM 50	EPM 80	EPM 100	EPM 125
Schluckvolumen <i>Displacement</i> cm ³ /U <i>ccm/rev</i> [in ³ /rev]		25,0 [1.52]	32,0 [1.95]	40,0 [2.44]	49,5 [3.02]	79,2 [4.83]	99,0 [6.04]	123,8 [7.55]
Max. Drehzahl <i>Max. Speed</i> U/min <i>RPM</i>	Dauerbetrieb <i>Continuous working</i>	1600	1560	1500	1210	755	605	486
	Intermittierend* <i>Intermittent *</i>	1815	1720	1750	1515	945	755	605
Max. Drehmoment <i>Max. Torque</i> daNm [lb-in]	Dauerbetrieb <i>Continuous working</i>	3,3 [290]	4,3 [380]	6,2 [550]	9,4 [835]	15,1 [1340]	19,3 [1710]	23,7 [2100]
	Intermittierend* <i>Intermittent *</i>	4,7 [415]	6,1 [540]	8,2 [730]	11,9 [1050]	19,5 [1725]	23,7 [2100]	29,8 [2640]
	Spitze ** <i>Peak **</i>	6,7 [595]	8,6 [760]	10,7 [950]	14,3 [1285]	22,4 [1985]	27,5 [2435]	36,5 [3235]
Max. Leistungsabgabe <i>Max. Output</i> kW [HP]	Dauerbetrieb <i>Continuous working</i>	4,5 [6.0]	5,8 [7.8]	8,4 [11.5]	10,1 [13.5]	10,2 [13.7]	10,5 [14.1]	10,2 [13.7]
	Intermittierend* <i>Intermittent *</i>	6,1 [8.2]	7,8 [10.5]	11,6 [15.5]	12,2 [16.1]	12,5 [16.8]	12,8 [17.1]	12,0 [16.1]
Max. Druckgefälle <i>Max. Pressure drop</i> bar [PSI]	Dauerbetrieb <i>Continuous working</i>	100 [1450]	100 [1450]	120 [1750]	140 [2030]	140 [2030]	140 [2030]	140 [2030]
	Intermittierend* <i>Intermittent *</i>	140 [2030]	140 [2030]	155 [2250]	175 [2540]	175 [2540]	175 [2540]	175 [2540]
	Spitze ** <i>Peak **</i>	225 [3260]	225 [3260]	225 [3260]	225 [3260]	225 [3260]	225 [3260]	225 [3260]
Max. Ölstrom <i>Max. Oil flow</i> l/min <i>lpm</i> [GPM]	Dauerbetrieb <i>Continuous working</i>	40 [10.5]	50 [13.2]	60 [15.9]	60 [15.9]	60 [15.9]	60 [15.9]	60 [15.9]
	Intermittierend* <i>Intermittent *</i>	45 [11.9]	55 [14.5]	70 [18.5]	75 [19.8]	75 [19.8]	75 [19.8]	75 [19.8]
Max. Eingangsdruck <i>Max. Inlet pressure</i> bar [PSI]	Dauerbetrieb <i>Continuous working</i>	175 [2540]	175 [2540]	175 [2540]	175 [2540]	175 [2540]	175 [2540]	175 [2540]
	Intermittierend* <i>Intermittent *</i>	200 [2900]	200 [2900]	200 [2900]	200 [2900]	200 [2900]	200 [2900]	200 [2900]
	Spitze ** <i>Peak **</i>	225 [3260]	225 [3260]	225 [3260]	225 [3260]	225 [3260]	225 [3260]	225 [3260]
Max. Rücklaufdruck mit Leckölleitung <i>Max. Return pressure with drain line</i> bar [PSI]	Dauerbetrieb <i>Continuous working</i>	175 [2540]	175 [2540]	175 [2540]	175 [2540]	175 [2540]	175 [2540]	175 [2540]
	Intermittierend* <i>Intermittent *</i>	200 [2900]	200 [2900]	200 [2900]	200 [2900]	200 [2900]	200 [2900]	200 [2900]
	Spitze ** <i>Peak **</i>	225 [3260]	225 [3260]	225 [3260]	225 [3260]	225 [3260]	225 [3260]	225 [3260]
Max. Anlaufdruck mit unbelasteter Welle <i>Max. starting pressure with unloaded shaft</i>	bar [PSI]	10 [145]	10 [145]	10 [145]	10 [145]	10 [145]	10 [145]	9 [131]
Min. Anlaufmoment bei max. Druckgefälle <i>Min. starting torque at max. pressure</i> <i>drop</i> daNm [lb-in]	Dauerbetrieb <i>Continuous working</i>	3,0 [265]	4,0 [355]	5,4 [480]	7,8 [690]	13,2 [1170]	16,6 [1470]	20,7 [1830]
	Intermittierend* <i>Intermittent *</i>	4,2 [370]	5,6 [500]	6,8 [600]	10,0 [885]	16,8 [1490]	21,0 [1860]	26,6 [2360]
Min. Drehzahl *** <i>Min speed ***</i>	U/min <i>RPM</i>	20	15	10	10	10	10	10
Gewicht <i>Weight</i> kg [lb]	EPM (F) (N)	5,6 [12.3]	5,6 [12.3]	5,7 [12.6]	5,8 [12.8]	5,9 [13.2]	6,1 [13.5]	6,2 [13.7]
	EPM-W (N)	5,3 [11.7]	5,3 [11.7]	5,4 [11.9]	5,5 [12.1]	5,6 [12.4]	5,8 [12.8]	5,9 [13.0]
	Für Hintenanschluss <i>For rear ports</i> +0,450 [992]	EPM-Q (N)	5,0 [11.1]	5,0 [11.1]	5,1 [11.2]	5,2 [11.5]	5,3 [11.7]	5,5 [12.1]

* Intermittierend: Betrieb max. 10% pro Minute

** Spitze: max. 1% pro Minute

*** Für Drehzahlen kleiner der min. Drehzahl sprechen Sie uns bitte an.

- Intermittierende Druckgefälle und Ölströme dürfen nicht gleichzeitig erreicht werden.

- Minimale Viskosität 13 mm²/s [70 SUS] bei 50° C [122° F]

- Maximale Öltemperatur während des Betriebs 82° C [180° F]

- Die Lebensdauer der Motoren kann erhöht werden, wenn die Antriebswelle 10-15 Minuten vor voller Belastung frei läuft.

* Intermittent: Working max. 10% per minute

** Peak: max. 1% per minute

*** For speeds lower than given, please consult us.

- Intermittent speed and pressure should not occur simultaneously.

- Recommended minimum oil viscosity 13 mm²/s [70 SUS] at 50° C [122° F]

- Recommended maximum system operating temperature is 82° C [180° F]

- To assure optimum motor life fill with fluid prior to loading and run at moderate load and speed for 10-15 minutes.

Technische Daten *Technical datas*

Für EPM Motoren mit C, CO, SH, K und SA Wellen (Dichtungsdurchmesser Ø28,56)
For EPM motors with C, CO, SH, K and SA shafts (sealing diameter Ø28.56)

Typ <i>Type</i>		EPM 160	EPM 200	EPM 250	EPM 315	EPM 400	EPM 500	EPM 630
Schluckvolumen <i>Displacement</i> cm ³ /U <i>ccm/rev</i> [in ³ /rev]		158,4 [9.66]	198,0 [12.10]	247,5 [15.10]	316,8 [19.30]	396,0 [24.16]	495,0 [30.20]	623,6 [38.05]
Max. Drehzahl <i>Max. Speed</i> U/min <i>RPM</i>	Dauerbetrieb <i>Continuous working</i>	378	303	242	190	150	120	95
	Intermittierend* <i>Intermittent *</i>	472	378	303	236	189	150	120
Max. Drehmoment <i>Max. Torque</i> daNm [lb-in]	Dauerbetrieb <i>Continuous working</i>	31,3 [2770]	36,6 [3240]	38,0 [3360]	38,0 [3360]	36,0 [3190]	39,0 [3452]	44,0 [3895]
	Intermittierend* <i>Intermittent *</i>	37,8 [3345]	45,6 [4035]	58,3 [5160]	56,0 [4960]	59,0 [5240]	57,0 [5045]	64,0 [5665]
	Spitze ** <i>Peak **</i>	43,8 [3880]	55,0 [4870]	68,5 [6060]	85,0 [7505]	85,4 [7560]	78,0 [6903]	82,0 [7257]
Max. Leistungsabgabe <i>Max. Output</i> kW [HP]	Dauerbetrieb <i>Continuous working</i>	10,1 [13.5]	10,0 [13.5]	7,5 [10.0]	5,8 [7.9]	4,6 [6.2]	3,5 [4.7]	3,3 [4.4]
	Intermittierend* <i>Intermittent *</i>	12,1 [16.2]	12,0 [16.1]	12,0 [16.1]	9,0 [12.1]	7,8 [10.5]	7,2 [9.7]	5,6 [7.5]
Max. Druckgefälle <i>Max. Pressure drop</i> bar [PSI]	Dauerbetrieb <i>Continuous working</i>	140 [2030]	140 [2030]	110 [1600]	90 [1300]	70 [1015]	60 [870]	55 [800]
	Intermittierend* <i>Intermittent *</i>	175 [2540]	175 [2540]	175 [2540]	140 [2030]	115 [1665]	90 [1305]	80 [1160]
	Spitze ** <i>Peak **</i>	225 [3260]	225 [3260]	225 [3260]	225 [3260]	180 [2610]	130 [1885]	110 [1740]
Max. Ölstrom <i>Max. Oil flow</i> l/min <i>lpm</i> [GPM]	Dauerbetrieb <i>Continuous working</i>	60 [15.9]	60 [15.9]	60 [15.9]	60 [15.9]	60 [15.9]	60 [15.9]	60 [15.9]
	Intermittierend* <i>Intermittent *</i>	75 [19.8]	75 [19.8]	75 [19.8]	75 [19.8]	75 [19.8]	75 [19.8]	75 [19.8]
Max. Eingangsdruck <i>Max. Inlet pressure</i> bar [PSI]	Dauerbetrieb <i>Continuous working</i>	175 [2540]	175 [2540]	175 [2540]	175 [2540]	175 [2540]	140 [2030]	140 [2030]
	Intermittierend* <i>Intermittent *</i>	200 [2900]	200 [2900]	200 [2900]	200 [2900]	200 [2900]	175 [2540]	175 [2540]
	Spitze ** <i>Peak **</i>	225 [3260]	225 [3260]	225 [3260]	225 [3260]	225 [3260]	225 [3260]	225 [3260]
Max. Rücklaufdruck mit Leckölleitung <i>Max. Return pressure with drain line</i> bar [PSI]	Dauerbetrieb <i>Continuous working</i>	175 [2540]	175 [2540]	175 [2540]	175 [2540]	175 [2540]	140 [2030]	140 [2030]
	Intermittierend* <i>Intermittent *</i>	200 [2900]	200 [2900]	200 [2900]	200 [2900]	200 [2900]	175 [2540]	175 [2540]
	Spitze ** <i>Peak **</i>	225 [3260]	225 [3260]	225 [3260]	225 [3260]	225 [3260]	225 [3260]	225 [3260]
Max. Anlaufdruck mit unbelasteter Welle <i>Max. starting pressure with unloaded shaft</i>	bar [PSI]	8 [116]	7 [100]	6 [87]	5 [73]	5 [73]	5 [73]	5 [73]
Min. Anlaufmoment bei max. Druckgefälle <i>Min. starting torque at max. pressure</i> drop daNm [lb-in]	Dauerbetrieb <i>Continuous working</i>	28,2 [2500]	33,5 [2950]	33,6 [2970]	34,4 [3045]	34,5 [3050]	36,0 [3180]	41,5 [3670]
	Intermittierend* <i>Intermittent *</i>	35,5 [3140]	42,6 [3770]	54,2 [4795]	61,9 [5480]	60,8 [5390]	54,0 [4780]	62,0 [5480]
Min. Drehzahl *** <i>Min speed ***</i>	U/min <i>RPM</i>	10	10	10	10	10	10	10
Gewicht <i>Weight</i> kg [lb]	EPM (F) (N)	6,4 [14.1]	6,6 [14.6]	6,8 [15.0]	7,1 [15.6]	7,6 [16.8]	8,9 [20.0]	9,5 [21.4]
	EPM-W (N)	6,1 [13.5]	6,3 [13.9]	6,5 [14.3]	6,8 [15.0]	7,2 [15.9]	8,6 [19.0]	9,2 [20.3]
Für Hintenanschluss <i>For rear ports</i> +0,450 [992]	EPM-Q (N)	5,8 [12.8]	6,0 [13.2]	6,2 [13.7]	6,5 [14.3]	6,8 [15.0]	8,3 [18.3]	9,0 [19.8]

* Intermittierend: Betrieb max. 10% pro Minute

** Spitze: max. 1% pro Minute

*** Für Drehzahlen kleiner der min. Drehzahl sprechen Sie uns bitte an.

- Intermittierende Druckgefälle und Ölströme dürfen nicht gleichzeitig erreicht werden.

- Minimale Viskosität 13 mm²/s [70 SUS] bei 50° C [122° F]

- Maximale Öltemperatur während des Betriebs 82° C [180° F]

- Die Lebensdauer der Motoren kann erhöht werden, wenn die Antriebswelle 10-15 Minuten vor voller Belastung frei läuft.

* Intermittent: Working max. 10% per minute

** Peak: max. 1% per minute

*** For speeds lower than given, please consult us.

- Intermittent speed and pressure should not occur simultaneously.

- Recommended minimum oil viscosity 13 mm²/s [70 SUS] at 50° C [122° F]

- Recommended maximum system operating temperature is 82° C [180° F]

- To assure optimum motor life fill with fluid prior to loading and run at moderate load and speed for 10-15 minutes.

Technische Daten *Technical datas*

Für EPM Motoren mit CB, KB, OB und HB Wellen (Dichtungsdurchmesser Ø35)
For EPM motors with CB, KB, OB and HB shafts (sealing diameter Ø35)

Typ <i>Type</i>		EPM 25	EPM 32	EPM 40	EPM 50	EPM 80	EPM 100	EPM 125
Schluckvolumen <i>Displacement</i> cm ³ /U <i>ccm/rev</i> [in ³ /rev]		25,0 [1.52]	32,0 [1.95]	40,0 [2.44]	49,5 [3.02]	79,2 [4.83]	99,0 [6.04]	123,8 [7.55]
Max. Drehzahl <i>Max. Speed</i> U/min <i>RPM</i>	Dauerbetrieb <i>Continuous working</i>	1600	1560	1500	1210	755	605	486
	Intermittierend* <i>Intermittent *</i>	1815	1720	1750	1515	945	755	605
Max. Drehmoment <i>Max. Torque</i> daNm [lb-in]	Dauerbetrieb <i>Continuous working</i>	3,3 [290]	4,3 [380]	6,2 [550]	9,4 [835]	15,1 [1340]	19,3 [1710]	23,7 [2100]
	Intermittierend* <i>Intermittent *</i>	4,7 [415]	6,1 [540]	8,2 [730]	11,9 [1050]	19,5 [1725]	23,7 [2100]	29,8 [2640]
	Spitze ** <i>Peak **</i>	6,7 [595]	8,6 [760]	10,7 [950]	14,3 [1285]	22,4 [1985]	27,5 [2435]	36,5 [3235]
Max. Leistungsabgabe <i>Max. Output</i> kW [HP]	Dauerbetrieb <i>Continuous working</i>	4,5 [6.0]	5,8 [7.8]	8,4 [11.5]	10,1 [13.5]	10,2 [13.7]	10,5 [14.1]	10,2 [13.7]
	Intermittierend* <i>Intermittent *</i>	6,1 [8.2]	7,8 [10.5]	11,6 [15.5]	12,2 [16.1]	12,5 [16.8]	12,8 [17.1]	12,0 [16.1]
Max. Druckgefälle <i>Max. Pressure drop</i> bar [PSI]	Dauerbetrieb <i>Continuous working</i>	100 [1450]	100 [1450]	120 [1750]	140 [2030]	140 [2030]	140 [2030]	140 [2030]
	Intermittierend* <i>Intermittent *</i>	140 [2030]	140 [2030]	155 [2250]	175 [2540]	175 [2540]	175 [2540]	175 [2540]
	Spitze ** <i>Peak **</i>	225 [3260]	225 [3260]	225 [3260]	225 [3260]	225 [3260]	225 [3260]	225 [3260]
Max. Ölstrom <i>Max. Oil flow</i> l/min <i>lpm</i> [GPM]	Dauerbetrieb <i>Continuous working</i>	40 [10.5]	50 [13.2]	60 [15.9]	60 [15.9]	60 [15.9]	60 [15.9]	60 [15.9]
	Intermittierend* <i>Intermittent *</i>	45 [11.9]	55 [14.5]	70 [18.5]	75 [19.8]	75 [19.8]	75 [19.8]	75 [19.8]
Max. Eingangsdruck <i>Max. Inlet pressure</i> bar [PSI]	Dauerbetrieb <i>Continuous working</i>	175 [2540]	175 [2540]	175 [2540]	175 [2540]	175 [2540]	175 [2540]	175 [2540]
	Intermittierend* <i>Intermittent *</i>	200 [2900]	200 [2900]	200 [2900]	200 [2900]	200 [2900]	200 [2900]	200 [2900]
	Spitze ** <i>Peak **</i>	225 [3260]	225 [3260]	225 [3260]	225 [3260]	225 [3260]	225 [3260]	225 [3260]
Max. Rücklaufdruck mit Leckölleitung <i>Max. Return pressure with drain line</i> bar [PSI]	Dauerbetrieb <i>Continuous working</i>	175 [2540]	175 [2540]	175 [2540]	175 [2540]	175 [2540]	175 [2540]	175 [2540]
	Intermittierend* <i>Intermittent *</i>	200 [2900]	200 [2900]	200 [2900]	200 [2900]	200 [2900]	200 [2900]	200 [2900]
	Spitze ** <i>Peak **</i>	225 [3260]	225 [3260]	225 [3260]	225 [3260]	225 [3260]	225 [3260]	225 [3260]
Max. Anlaufdruck mit unbelasteter Welle <i>Max. starting pressure with unloaded shaft</i>	bar [PSI]	10 [145]	10 [145]	10 [145]	10 [145]	10 [145]	10 [145]	9 [131]
Min. Anlaufmoment bei max. Druckgefälle <i>Min. starting torque at max. pressure</i> drop daNm [lb-in]	Dauerbetrieb <i>Continuous working</i>	3,0 [265]	4,0 [355]	5,4 [480]	7,8 [690]	13,2 [1170]	16,6 [1470]	20,7 [1830]
	Intermittierend* <i>Intermittent *</i>	4,2 [370]	5,6 [500]	6,8 [600]	10,0 [885]	16,8 [1490]	21,0 [1860]	26,6 [2360]
Min. Drehzahl *** <i>Min speed ***</i>	U/min <i>RPM</i>	20	15	10	10	10	10	10
Gewicht <i>Weight</i> kg [lb]		5,6 [12.3]	5,6 [12.3]	5,7 [12.6]	5,9 [13.0]	6,0 [13.2]	6,2 [13.7]	6,3 [13.9]
Für Hintenanschluss <i>For rear ports</i> +0,450 [992]	EPM (F) ... B							

* Intermittierend: Betrieb max. 10% pro Minute

** Spitze: max. 1% pro Minute

*** Für Drehzahlen kleiner der min. Drehzahl sprechen Sie uns bitte an.

- Intermittierende Druckgefälle und Ölströme dürfen nicht gleichzeitig erreicht werden.

- Minimale Viskosität 13 mm²/s [70 SUS] bei 50° C [122° F]

- Maximale Öltemperatur während des Betriebs 82° C [180° F]

- Die Lebensdauer der Motoren kann erhöht werden, wenn die Antriebswelle 10-15 Minuten vor voller Belastung frei läuft.

* Intermittent: Working max. 10% per minute

** Peak: max. 1% per minute

*** For speeds lower than given, please consult us.

- Intermittent speed and pressure should not occur simultaneously.

- Recommended minimum oil viscosity 13 mm²/s [70 SUS] at 50° C [122° F]

- Recommended maximum system operating temperature is 82° C [180° F]

- To assure optimum motor life fill with fluid prior to loading and run at moderate load and speed for 10-15 minutes.

Technische Daten *Technical datas*

Für EPM Motoren mit CB, KB, OB und HB Wellen (Dichtungsdurchmesser Ø35)
For EPM motors with CB, KB, OB and HB shafts (sealing diameter Ø35)

Typ <i>Type</i>		EPM 160	EPM 200	EPM 250	EPM 315	EPM 400	EPM 500	EPM 630
Schluckvolumen <i>Displacement cm³/U ccm/rev [in³/rev]</i>		158,4 [9.66]	198,0 [12.10]	247,5 [15.10]	316,8 [19.30]	396,0 [24.16]	495,0 [30.20]	623,6 [38.05]
Max. Drehzahl <i>Max. Speed</i> U/min <i>RPM</i>	Dauerbetrieb <i>Continuous working</i>	378	303	242	190	150	120	95
	Intermittierend* <i>Intermittent *</i>	472	378	303	236	189	150	120
Max. Drehmoment <i>Max. Torque</i> daNm [lb-in]	Dauerbetrieb <i>Continuous working</i>	31,3 [2770]	36,6 [3240]	47,0 [4160]	48,0 [4360]	50,0 [4415]	39,0 [3452]	44,0 [3895]
	Intermittierend* <i>Intermittent *</i>	37,8 [3345]	45,6 [4035]	58,3 [5160]	56,0 [4960]	59,0 [5240]	57,0 [5045]	64,0 [5665]
	Spitze ** <i>Peak **</i>	43,8 [3880]	55,0 [4870]	68,5 [6060]	85,0 [7505]	85,4 [7560]	78,0 [6903]	82,0 [7257]
Max. Leistungsabgabe <i>Max. Output</i> kW [HP]	Dauerbetrieb <i>Continuous working</i>	10,1 [13.5]	10,0 [13.5]	9,0 [12.1]	7,6 [10.2]	6,2 [8.3]	3,5 [4.7]	3,3 [4.4]
	Intermittierend* <i>Intermittent *</i>	12,1 [16.2]	12,0 [16.1]	12,0 [16.1]	9,0 [12.1]	7,8 [10.5]	7,2 [9.7]	5,6 [7.5]
Max. Druckgefälle <i>Max. Pressure drop</i> bar [PSI]	Dauerbetrieb <i>Continuous working</i>	140 [2030]	140 [2030]	140 [2030]	120 [1740]	95 [1400]	60 [870]	55 [800]
	Intermittierend* <i>Intermittent *</i>	175 [2540]	175 [2540]	175 [2540]	140 [2030]	115 [1665]	90 [1305]	80 [1160]
	Spitze ** <i>Peak **</i>	225 [3260]	225 [3260]	225 [3260]	225 [3260]	180 [2610]	130 [1885]	110 [1740]
Max. Ölstrom <i>Max. Oil flow</i> l/min <i>lpm</i> [GPM]	Dauerbetrieb <i>Continuous working</i>	60 [15.9]	60 [15.9]	60 [15.9]	60 [15.9]	60 [15.9]	60 [15.9]	60 [15.9]
	Intermittierend* <i>Intermittent *</i>	75 [19.8]	75 [19.8]	75 [19.8]	75 [19.8]	75 [19.8]	75 [19.8]	75 [19.8]
Max. Eingangsdruck <i>Max. Inlet pressure</i> bar [PSI]	Dauerbetrieb <i>Continuous working</i>	175 [2540]	175 [2540]	175 [2540]	175 [2540]	175 [2540]	140 [2030]	140 [2030]
	Intermittierend* <i>Intermittent *</i>	200 [2900]	200 [2900]	200 [2900]	200 [2900]	200 [2900]	175 [2540]	175 [2540]
	Spitze ** <i>Peak **</i>	225 [3260]	225 [3260]	225 [3260]	225 [3260]	225 [3260]	225 [3260]	225 [3260]
Max. Rücklaufdruck mit Leckölleitung <i>Max. Return pressure with drain line</i> bar [PSI]	Dauerbetrieb <i>Continuous working</i>	175 [2540]	175 [2540]	175 [2540]	175 [2540]	175 [2540]	140 [2030]	140 [2030]
	Intermittierend* <i>Intermittent *</i>	200 [2900]	200 [2900]	200 [2900]	200 [2900]	200 [2900]	175 [2540]	175 [2540]
	Spitze ** <i>Peak **</i>	225 [3260]	225 [3260]	225 [3260]	225 [3260]	225 [3260]	225 [3260]	225 [3260]
Max. Anlaufdruck mit unbelasteter Welle <i>Max. starting pressure with unloaded shaft</i>	bar [PSI]	8 [116]	7 [100]	6 [87]	5 [73]	5 [73]	5 [73]	5 [73]
Min. Anlaufmoment bei max. Druckgefälle <i>Min. starting torque at max. pressure</i> drop daNm [lb-in]	Dauerbetrieb <i>Continuous working</i>	28,2 [2500]	33,5 [2950]	42,8 [3790]	45,8 [4050]	46,8 [4140]	36,0 [3180]	41,5 [3670]
	Intermittierend* <i>Intermittent *</i>	35,5 [3140]	42,6 [3770]	54,2 [4795]	61,9 [5480]	60,8 [5390]	54,0 [4780]	62,0 [5480]
Min. Drehzahl *** <i>Min speed ***</i>	U/min <i>RPM</i>	10	10	10	10	10	10	10
Gewicht <i>Weight</i> kg [lb]		6,5 [14.3]	6,7 [14.8]	6,9 [15.2]	7,2 [15.9]	7,7 [17.0]	9,0 [19.9]	9,6 [21.2]
Für Hintenanschluss <i>For rear ports</i> +0,450 [992]	EPM (F) ... B							

* Intermittierend: Betrieb max. 10% pro Minute

** Spitze: max. 1% pro Minute

*** Für Drehzahlen kleiner der min. Drehzahl sprechen Sie uns bitte an.

- Intermittierende Druckgefälle und Ölströme dürfen nicht gleichzeitig erreicht werden.

- Minimale Viskosität 13 mm²/s [70 SUS] bei 50° C [122° F]

- Maximale Öltemperatur während des Betriebs 82° C [180° F]

- Die Lebensdauer der Motoren kann erhöht werden, wenn die Antriebswelle 10-15 Minuten vor voller Belastung frei läuft.

* Intermittent: Working max. 10% per minute

** Peak: max. 1% per minute

*** For speeds lower than given, please consult us.

- Intermittent speed and pressure should not occur simultaneously.

- Recommended minimum oil viscosity 13 mm²/s [70 SUS] at 50° C [122° F]

- Recommended maximum system operating temperature is 82° C [180° F]

- To assure optimum motor life fill with fluid prior to loading and run at moderate load and speed for 10-15 minutes.

Bestellcode EPM® Ordercode EPM®

EPM	1	2	3	4	5	6	7	8	9	10
-----	---	---	---	---	---	---	---	---	---	----

Pos. 1	Montageflansch <i>Mounting flange</i>
frei omit	Ovalflansch, zwei Befestigungslöcher <i>Oval mount, two holes</i>
F	Ovalflansch, vier Befestigungslöcher <i>Oval mount, four holes</i>
Q	Quadratflansch, vier Gewindebohrungen <i>Square mount, four bolts</i>
W	Radflansch <i>Wheel mount</i>

Pos. 2	Lagerung <i>Bearing</i>
frei omit	Ohne Lager <i>Without bearing</i>
N*	Mit Radialnadellager <i>With needle bearings</i>

Pos. 3	Anschlussstyp <i>Port type</i>
frei omit	Seitenanschluss <i>Side ports</i>
E	Hintenanschluss <i>Rear ports</i>

Pos. 4	Schluckvolumen <i>Displacement</i>
25*	25,0 cm³/U ccm/rev [1.52 in³/rev]
32*	32,0 cm³/U ccm/rev [1.95 in³/rev]
40*	40,0 cm³/U ccm/rev [2.44 in³/rev]
50	49,5 cm³/U ccm/rev [3.02 in³/rev]
80	79,2 cm³/U ccm/rev [4.83 in³/rev]
100	99,0 cm³/U ccm/rev [6.04 in³/rev]
125	123,8 cm³/U ccm/rev [7.55 in³/rev]
160	158,4 cm³/U ccm/rev [9.66 in³/rev]
200	198,0 cm³/U ccm/rev [12.10 in³/rev]
250	247,5 cm³/U ccm/rev [15.10 in³/rev]
315	316,8 cm³/U ccm/rev [19.30 in³/rev]
400	396,0 cm³/U ccm/rev [24.16 in³/rev]
500	495,0 cm³/U ccm/rev [30.20 in³/rev]
630	623,6 cm³/U ccm/rev [38.05 in³/rev]

Pos. 5	Abtriebswelle ** <i>Shaft **</i>
C	Zylindrisch Ø25, Passfeder A8x7x32 DIN 6885 <i>Cylindrical Ø25, parallel key A8x7x32 DIN 6885</i>
VC	Zylindrisch Ø25, Passfeder A8x7x32 DIN 6885 mit korrosionsbeständiger Buchse <i>Cylindrical Ø25, parallel key A8x7x32 DIN 6885 with corrosion resistant bushing</i>
CO	Zylindrisch Ø1", Passfeder 1/4" x 1/4" x 1 1/4" BS46 <i>Cylindrical Ø1", parallel key 1/4" x 1/4" x 1 1/4" BS46</i>
VCO	Zylindrisch Ø1", Passfeder 1/4" x 1/4" x 1 1/4" BS46 mit korrosionsbeständiger Buchse <i>Cylindrical Ø1", parallel key 1/4" x 1/4" x 1 1/4" BS46 with corrosion resistant bushing</i>
SH	Verzahnt Ø25,32, BS2059 (SAE 6 B) <i>Splined Ø25.32, BS2059 (SAE 6 B)</i>

VSH	Verzahnt Ø25,32, BS2059 (SAE 6 B) mit korrosionsbeständiger Buchse <i>Splined Ø25.32, BS2059 (SAE 6 B) with corrosion resistant bushing</i>
K	Konisch 1:10 Ø28,56, Passfeder B5x5x14 DIN 6885 <i>Tapered 1:10 Ø28.56, parallel key B5x5x14 DIN 6885</i>
SA	Verzahnt Ø24,5, B 25x22 DIN 5482 <i>Splined Ø24.5, B 25x22 DIN 5482</i>
VSA	Verzahnt Ø24,5, B 25x22 DIN 5482 mit korrosionsbeständiger Buchse <i>Splined Ø24.5, B 25x22 DIN 5482 with corrosion resistant bushing</i>
CB	Zylindrisch Ø32, Passfeder A10x8x45 DIN 6885 <i>Cylindrical Ø32, parallel key A10x8x45 DIN 6885</i>
KB	Konisch 1:10 Ø35, Passfeder B6x6x20 DIN 6885 <i>Tapered 1:10 Ø35, parallel key B6x6x20 DIN 6885</i>
SB	Verzahnt A 25x22 DIN 5482 <i>Splined A 25x22 DIN 5482</i>
OB	Konisch 1:8 Ø1 1/4", Passfeder 5/16" x 5/16" x 1 1/4" BS46 <i>Tapered 1:8 Ø1 1/4", parallel key 5/16" x 5/16" x 1 1/4" BS46</i>
HB	Verzahnt Ø1 1/4" 14T ANSI B92.1 - 1976 <i>Splined Ø1 1/4" 14T ANSI B92.1 - 1976</i>

Pos. 6	Wellendichtung <i>Shaft seal</i>
frei omit	Für niedrigen Druck oder "...B" Wellen <i>For low pressure or "...B" shafts</i>
D	Für hohen Druck <i>For high pressure</i>
U	Für Höchstdruck (ohne Rückschlagventile) <i>For highest pressure (without check valves)</i>

Pos. 7	Leckölanschluss <i>Drain port</i>
frei omit	Mit Leckölanschluss <i>With drain port</i>
1	Ohne Leckölanschluss <i>Without drain port</i>

Pos. 8	Anschlüsse <i>Ports</i>
frei omit	BSPP (ISO 228)
M	Metrisch metric (ISO 262)

Pos. 9	Sonderausführungen <i>Special features</i>
RS	Drehzahlsensor <i>Speed sensor</i>
LL	Geringeres Lecköl <i>Low Leakage</i>
LSV	Ventil für geringe Drehzahlen (nur für EPM-W) <i>Low speed valve (only for EPM-W)</i>
FR	Leichtlaufausführung (nicht für EPM-N) <i>Free running (not for EPM-N)</i>
R	Drehrichtung umgedreht <i>Reverse rotation</i>
P	Lackiert (Farbe auf Anfrage) <i>Paint (Colour on request)</i>
PC	Korrosionsschutzfarbe (Farbe auf Anfrage) <i>Corrosion protected paint (Colour on request)</i>

Pos. 10	Design Serie <i>Design series</i>
frei omit	Betriebsspezifisch <i>Factory specified</i>

* Nur mit Hochdruckdichtung (Pos. 6 Option D oder U) erhältlich
Only with high pressure seal (pos. 6 option D or U) available

** Zulässige Momentabgabe darf nicht überschritten werden
Permissible output torque should not be exceeded

Die folgenden Kombinationen sind nicht erhältlich:

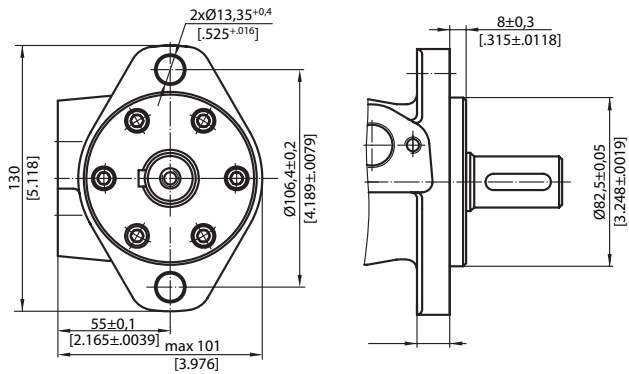
- Q-Flansch mit ... B-Wellen
- W-Flansch mit ... B-Wellen oder Hintenanschluss
- Option N mit ... B-Wellen (nur mit Hochdruckdichtung erhältlich)
- ... B-Wellen mit D oder U Wellendichtungen

The following combinations are not available:

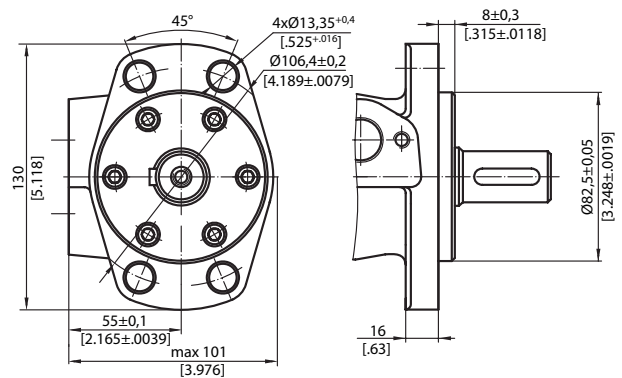
- Q-Flange with ... B-shafts
- W-Flange with ... B-shafts or rear port
- Option N with ... B-shafts (only with high pressure seal available)
- ... B-shafts with D or U shaftseals

Pos. 1 Montageflansch *Mounting flange*

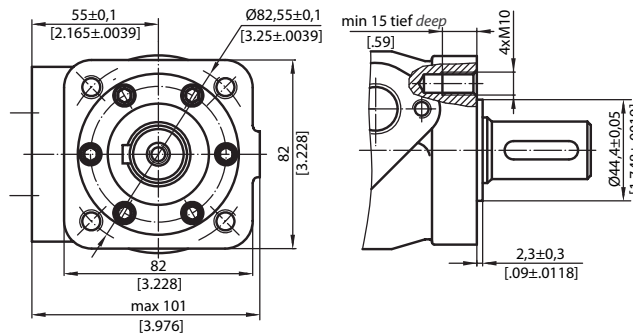
Standard: Ovalflansch, zwei Befestigungslöcher
Standard: Oval mount, two holes



Option F: Ovalflansch, vier Befestigungslöcher
Option F: Oval mount, four holes

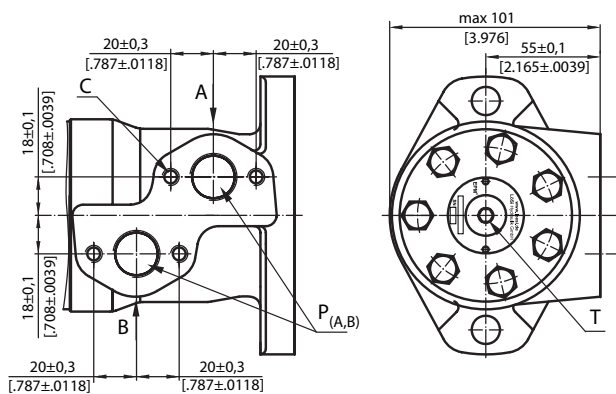


Option Q: Quadratflansch, vier Gewindebohrungen
Option Q: Square mount, four bolts

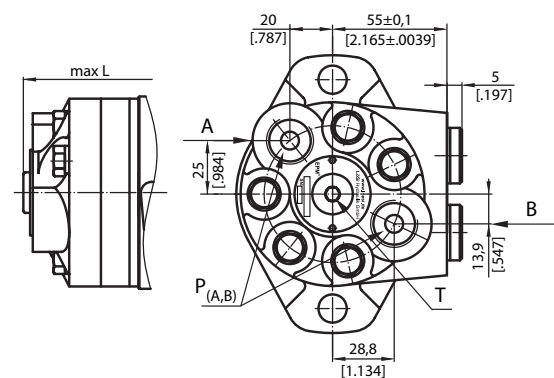


Pos. 3 Anschlussstyp *Port type*

Standard: Seitenanschluss
Standard: Side ports



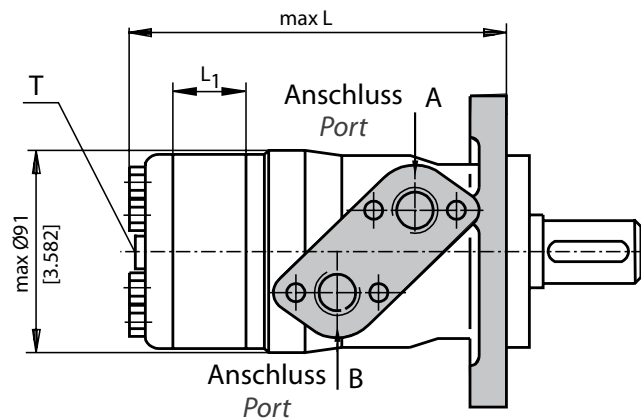
Option E: Hintenanschluss
Option E: Rear ports



- C: 4xM8 - 13mm [.51 in] tief *deep*
- P (A,B): 2xG1/2 oder or 2xM22x1,5 - 15mm [.59 in] tief *deep*
- T: G1/4 oder or M14x1,5 - 12 mm [.47 in] tief *deep*



Pos. 4 Schluckvolumen *Displacement*



Standarddrehung

mit Blick auf Abtriebswelle
Druck auf Anschluss **A** - rechtsdrehend
Druck auf Anschluss **B** - linksdrehend

Standard rotation

Viewed from shaft end
Port **A** pressurized- right running
Port **B** pressurized- left running

Reversierdrehung (Pos. 9 - Option R)

mit Blick auf Abtriebswelle
Druck auf Anschluss **A** - linksdrehend
Druck auf Anschluss **B** - rechtsdrehend

Reversierdrehung (Pos. 9 - Option R)

Viewed from shaft end
Port **A** pressurized- left running
Port **B** pressurized- right running

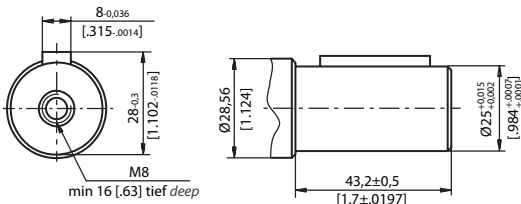
Einbaumaße mm [in.]

Dimensions mm [in.]

Typ Type	L mm [in]	Typ Type	L mm [in]	Typ Type	L mm [in]	Typ Type	L mm [in]	L ₁ mm [in]
EPM (F) 25	134,0 [5.28]	EPM-Q 25	140,5 [5.53]	EPM (F) E 25	151,5 [5.96]	EPM-Q-E 25	158,0 [6.22]	5,20 [.21]
EPM (F) 32	135,0 [5.31]	EPM-Q 32	141,5 [5.57]	EPM (F) E 32	152,5 [6.00]	EPM-Q-E 32	159,0 [6.26]	6,30 [.25]
EPM (F) 40	136,5 [5.37]	EPM-Q 40	142,5 [5.61]	EPM (F) E 40	154,0 [6.06]	EPM-Q-E 40	160,0 [6.30]	7,40 [.29]
EPM (F) 50	135,5 [5.33]	EPM-Q 50	142,0 [5.59]	EPM (F) E 50	153,0 [6.02]	EPM-Q-E 50	159,5 [6.28]	6,67 [.26]
EPM (F) 80	139,5 [5.49]	EPM-Q 80	146,0 [5.75]	EPM (F) E 80	157,0 [6.18]	EPM-Q-E 80	163,0 [6.42]	10,67 [.42]
EPM (F) 100	142,0 [5.59]	EPM-Q 100	148,5 [5.85]	EPM (F) E 100	160,0 [6.30]	EPM-Q-E 100	166,0 [6.54]	13,33 [.52]
EPM (F) 125	145,5 [5.73]	EPM-Q 125	152,0 [5.98]	EPM (F) E 125	163,0 [6.42]	EPM-Q-E 125	169,5 [6.67]	16,67 [.66]
EPM (F) 160	150,0 [5.91]	EPM-Q 160	156,5 [6.16]	EPM (F) E 160	168,0 [6.61]	EPM-Q-E 160	174,0 [6.85]	21,33 [.84]
EPM (F) 200	155,5 [6.12]	EPM-Q 200	162,0 [6.38]	EPM (F) E 200	173,0 [6.81]	EPM-Q-E 200	179,5 [7.07]	26,67 [1.05]
EPM (F) 250	162,0 [6.38]	EPM-Q 250	168,5 [6.63]	EPM (F) E 250	180,0 [7.09]	EPM-Q-E 250	186,0 [7.32]	33,33 [1.31]
EPM (F) 315	171,5 [6.75]	EPM-Q 315	178,0 [7.01]	EPM (F) E 315	189,0 [7.44]	EPM-Q-E 315	195,5 [7.70]	42,67 [1.68]
EPM (F) 400	182,0 [7.17]	EPM-Q 400	188,5 [7.42]	EPM (F) E 400	200,0 [7.87]	EPM-Q-E 400	206,0 [8.11]	53,33 [2.10]
EPM (F) 500	195,5 [7.70]	EPM-Q 500	202,0 [7.95]	EPM (F) E 500	213,0 [8.39]	EPM-Q-E 500	219,5 [8.64]	66,63 [2.62]
EPM (F) 630	213,0 [8.39]	EPM-Q 630	219,0 [8.62]	EPM (F) E 630	230,5 [9.07]	EPM-Q-E 630	236,5 [9.31]	84,00 [3.31]

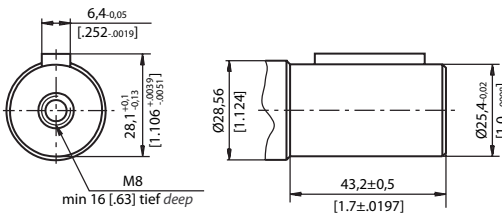
Pos. 5 Abtriebswelle Shaft

Option C: Zylindrisch Ø25 mm Option C: Cylindrical Ø25 mm



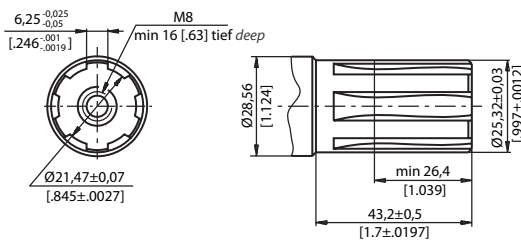
Max. Drehmomentabgabe 34 daNm [3010 lb-in]
Max. Torque 34 daNm [3010 lb-in]

Option CO: Zylindrisch Ø1" Option CO: Cylindrical Ø1"



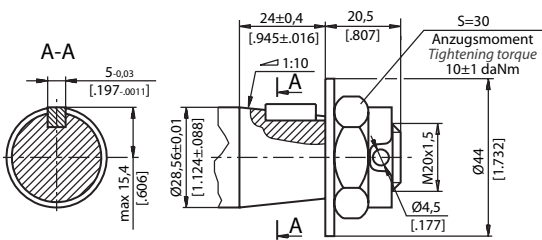
Max. Drehmomentabgabe 34 daNm [3010 lb-in]
Max. Torque 34 daNm [3010 lb-in]

Option SH: Verzahnt BS 2059 Option SH: Splined BS 2059



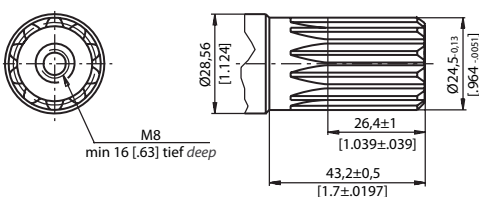
Max. Drehmomentabgabe 40 daNm [3540 lb-in]
Max. Torque 40 daNm [3540 lb-in]

Option K: Konisch 1:10 Option K: Tapered 1:10



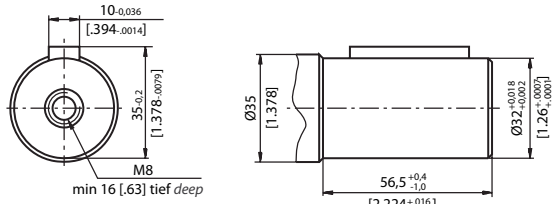
Max. Drehmomentabgabe 40 daNm [3540 lb-in]
Max. Torque 40 daNm [3540 lb-in]

Option SA: Verzahnt B 25x22 DIN 5482 Option SA: Splined B 25x22 DIN 5482



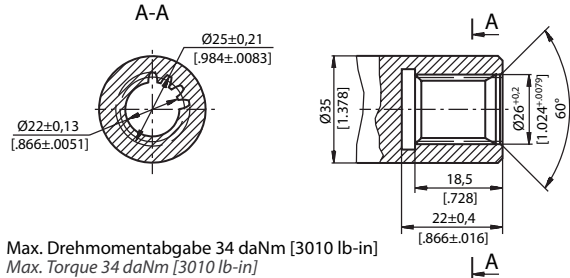
Max. Drehmomentabgabe 40 daNm [3540 lb-in]
Max. Torque 40 daNm [3540 lb-in]

Option CB: Zylindrisch Ø32 mm Option CB: Cylindrical Ø32 mm



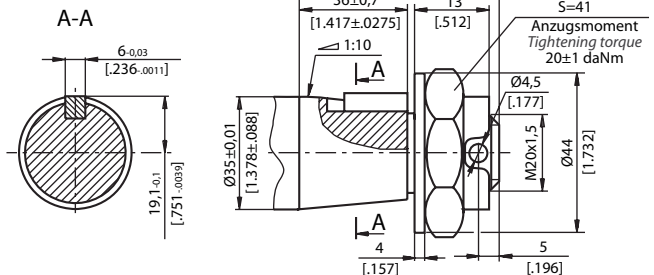
Max. Drehmomentabgabe 77 daNm [6815 lb-in]
Max. Torque 77 daNm [6815 lb-in]

Option SB: Verzahnt A 25x22 DIN 5482 Option SB: Splined A 25x22 DIN 5482



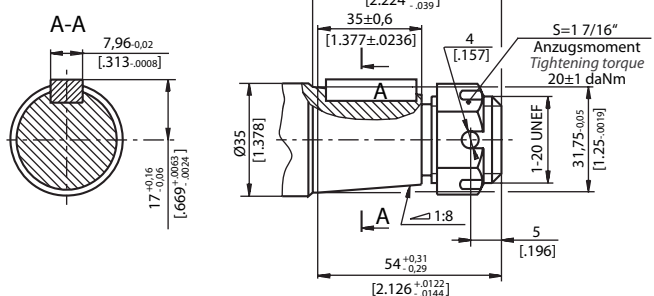
Max. Drehmomentabgabe 34 daNm [3010 lb-in]
Max. Torque 34 daNm [3010 lb-in]

Option KB: Konisch 1:10 Option KB: Tapered 1:10



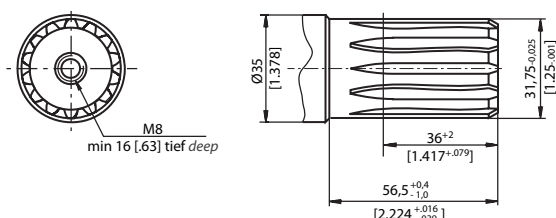
Max. Drehmomentabgabe 77 daNm [6815 lb-in]
Max. Torque 77 daNm [6815 lb-in]

Option OB: Konisch 1:8 Option OB: Tapered 1:8



Max. Drehmomentabgabe 77 daNm [6815 lb-in]
Max. Torque 77 daNm [6815 lb-in]

Option HB: Verzahnt ANSI B92.1-1976 Option HB: Splined ANSI B92.1-1976



Max. Drehmomentabgabe 77 daNm [6815 lb-in]
Max. Torque 77 daNm [6815 lb-in]



Pos. 6

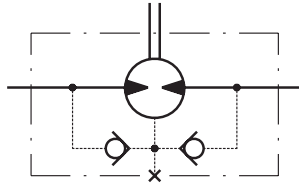
+

Pos. 7

Wellendichtung und Leckölschluss Shaft seal and drain connection

Schaltzeichen *Graphic symbol*

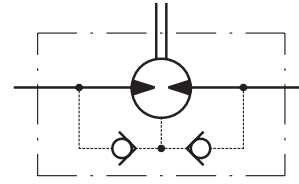
Standard oder Option D
Standard or Option D



EPM mit Wellendichtung für niedrigen Druck oder für hohen Druck mit Leckölschluss
Der Druck auf die Wellendichtung entspricht dem Druck in der Leckölschleife.

EPM with shaft seal for low pressure or high pressure with drain connection
The shaft seal pressure equals the pressure in the drain line.

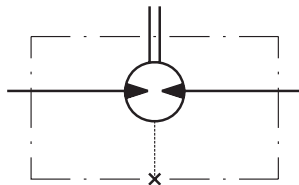
Standard oder Option D und Option 1
Standard or Option D and Option 1



EPM mit Wellendichtung für niedrigen Druck oder für hohen Druck ohne Leckölschluss
Der Druck auf die Wellendichtung übersteigt nie den Druck in der Rücklaufleitung.

EPM with shaft seal for low pressure or high pressure without drain connection
The shaft seal pressure never exceeds the pressure in the return line.

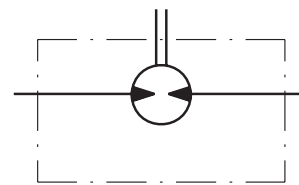
Option U
Option U



EPM mit Wellendichtung für Höchstdruck ohne Rückschlagventile mit Leckölschluss
Der Druck auf die Wellendichtung entspricht dem Druck in der Leckölschleife.

EPM with shaft seal for highest pressure without check valves with drain connection
The shaft seal pressure equals the pressure in the drain line.

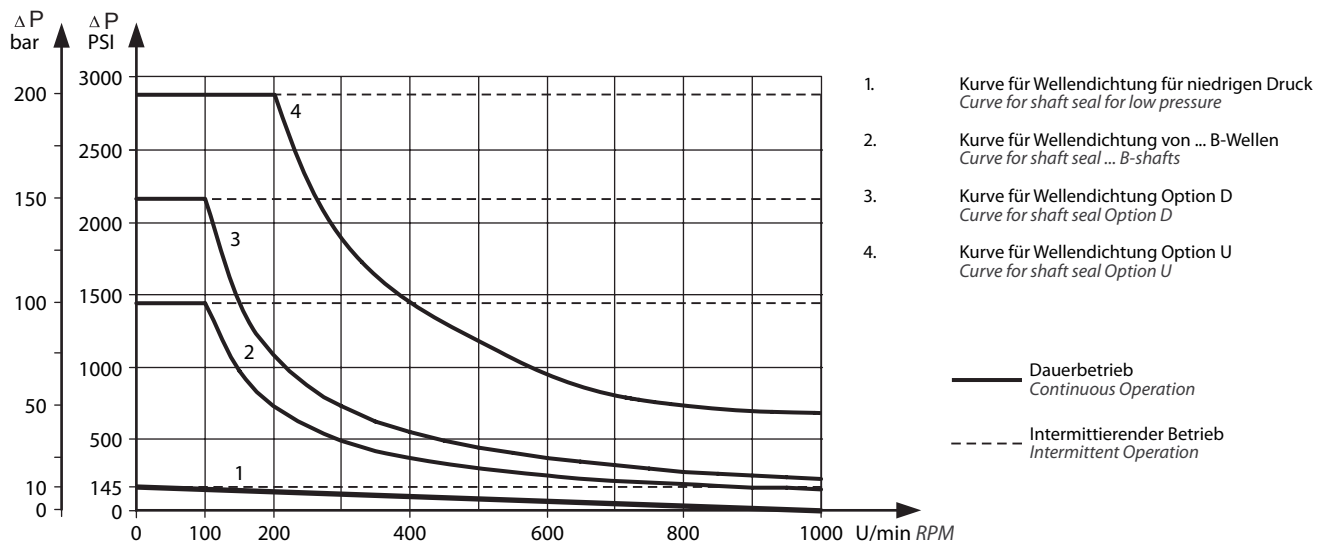
Option U und Option 1
Option U and Option 1



EPM mit Wellendichtung für Höchstdruck ohne Leckölschluss
Der Druck auf die Wellendichtung entspricht dem Durchschnitt von Eingangsdruck und Rücklaufdruck.

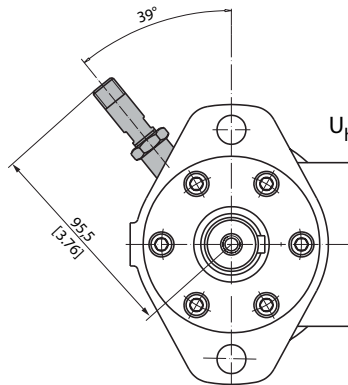
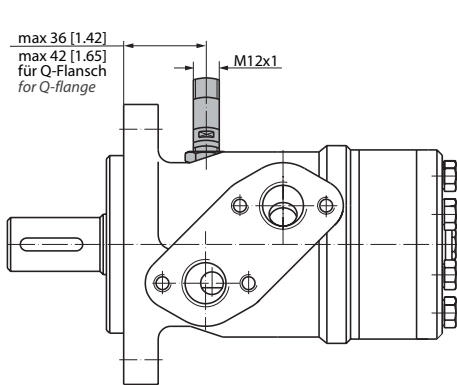
EPM with shaft seal for highest pressure without drain connection
The shaft seal pressure equals the average of input pressure and return pressure.

Max. Rücklaufdruck ohne Leckölschleife oder max. Druck in der Leckölschleife Max. return pressure without drain line or max. pressure in the drain line

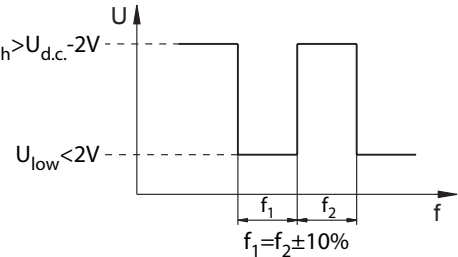


Pos. 9 Sonderausführungen *Special features*

Option RS: Drehzahlsensor Option RS: Speed sensor



Ausgangssignal
Output signal

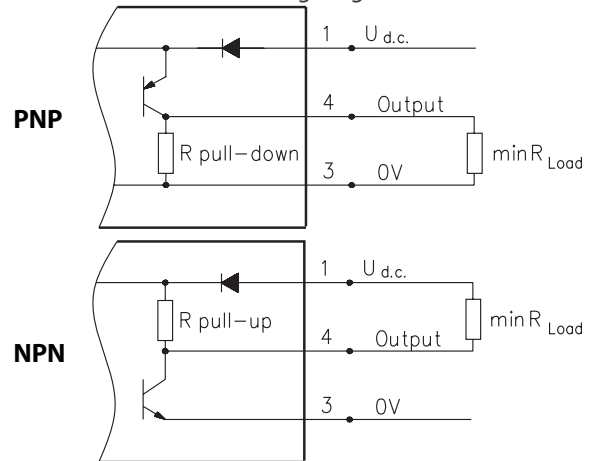


Load max: $I_{high} = I_{low} < 50\text{mA}$

Technische Daten Technical data

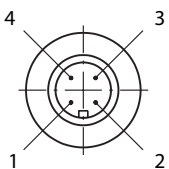
Frequenzbereich Frequency range	0 - 15000 Hz
Ausgang Output	PNP, NPN
Spannungsversorgung Power supply	10 - 36 VDC
Stromaufnahme Current input	20 mA (@24 VDC)
Umgebungstemperatur Ambient temperature	-40 - 125° C [-40 - 257° F]
Schutzart Protection	IP 67
Steckverbindung Plug connector	M12-Serie Series
Montageverfahren Mounting principle	ISO 6149
Impulse pro Umdrehung Pulses per revolution	36

Schaltplan Wiring diagram



$$R_{load}[\text{k}\Omega] = U_{d.c.}[\text{V}] / I_{max}[\text{mA}]$$

Anschluss Belegung Stick type



Anschluss Nr. Terminal No.	Belegung Connection	Ausgangsleitung Cable Output
1	U _{d.c.}	Braun Brown
2	Keine Belegung No connection	Weiß White
3	0V	Blau Blue
4	Ausgangssignal Output signal	Schwarz Black

Bestellcode für Drehzahlsensor Order code for speed sensor

Sensor Code	Ausgang Output	Elektrische Verbindung Electric connection
RSN	NPN	Kabelstecker M12 Plug connector M12
RSP	PNP	Kabelstecker M12 Plug connector M12
RSNL5	NPN	Anschlusskabel 3x0,25; 5m [196 in] lang Cable output 3x0.25; 5m [196 in] long
RSPL5	PNP	Anschlusskabel 3x0,25; 5m [196 in] lang Cable output 3x0.25; 5m [196 in] long

Der Drehzahlsensor wird nicht montiert geliefert. Der Sensor befindet sich in einer Plastiktüte in der Umverpackung des Motors. Für eine Installation beachten Sie bitte die beiliegende Montageanleitung.

The speed sensor will be delivered not fitted, but is supplied in a plastic bag with the motor. For installation see the enclosed mounting instructions.

Option LL: Geringes Lecköl
Option LL: Low Leakage

Die Hydraulikmotoren der LL Reihe sind für den Einsatz im ganzen Anwendungsbereich (Druckabfall und Drehzahl) entworfen. Sie haben jedoch erheblich geringere Verluste in den Verdrängungsräumen. Diese Motoren sind geeignet für hydraulische Systeme bei denen die Motoren in Reihe geschaltet sind und geringe Leckölverluste gefordert sind.

LL series hydraulic motors are designed to operate at the whole standard range of working conditions (pressure drop and frequency of rotation), but with considerable decreased volumetric losses in the drain ports. These motors are suitable for hydraulic system with series-connected motors with demands for low leakage.

Option LSV: Ventil für geringe Drehzahlen (nur für EPM-W)
Option LSV: Low speed valve (only for EPM-W)

Option LSV optimiert den Motor für den Betrieb bei kleinen Drehzahlen. LSV Motoren sind für den Betrieb mit standardmäßigen Höchstwerten des Druckabfalls und mit stoß freiem Betrieb bei niedrigen Drehzahlen (bis zu 200 U/min) ausgelegt. Ihre höchste Effektivität erreichen diese Motoren bei 20-50 U/min. Motoren mit diesem Ventil haben einen höheren Anlaufdruck. Der Druckabfall sollte größer als 40 bar [580 PSI] sein.

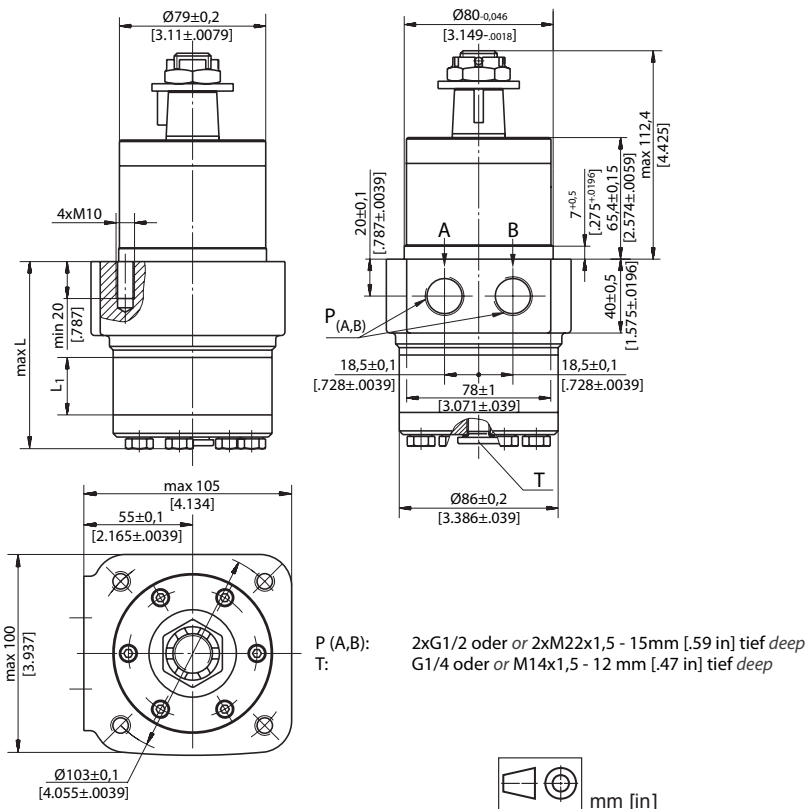
LSV option optimizes the motor for low speed performance. Motors with this valving provide very low speed while maintaining high torque. They are designed to run continuously at low speed (up to 200 RPM) at normal pressure drop and reduced flow. Optimal run is guaranteed at frequency of rotation from 20 to 50 RPM. Motors with this valving have an increased starting pressure and are not recommended for using at pressure drop less than 40 bar [580 PSI].

Option FR: Leichtlaufausführung (nicht für EPM-N)
Option FR: Free running (not for EPM-N)

FR Motoren haben größere Abstände zwischen den rotierenden Teilen im Planetensatz. Dadurch lässt sich die Abtriebswelle mit weniger mechanischem Widerstand drehen. Der größere Abstand verbessert auch die Schmierung der Abnutzungsflächen im Planetensatz. Weitere Vorteile ist eine längere Lebensdauer bei hohen Drehzahlen (größer 300 U/min) und geringem Druckabfall. Der volumetrische Wirkungsgrad kann bei diesen Motoren etwas geringer ausfallen.

FR motors are with increased clearance at all friction parts, allowing the shaft to rotate more freely with less mechanical drag. The increased clearance also improves lubrication of the wear surfaces of gear set and friction parts. Additional advantages of FR versions are prolonging of the life of the hydraulic motors at high speeds, as well as the possibility to use them in systems with wide variation of loading. FR series motors are designed to operate with high speed (over than 300 RPM) and low pressure drop. Volumetric efficiency may be reduced slightly.

Einbaumaße EPM-W
Dimensions EPM-W



Typ Type	L mm [in]	L ₁ mm [in]
EPM-W 25	77,0 [3.03]	5,20 [.21]
EPM-W 32	78,0 [3.07]	6,30 [.25]
EPM-W 40	79,5 [3.13]	7,40 [.29]
EPM-W 50	78,5 [3.09]	6,67 [.26]
EPM-W 80	82,5 [3.25]	10,67 [.42]
EPM-W 100	85,0 [3.35]	13,33 [.52]
EPM-W 125	88,5 [3.48]	16,67 [.66]
EPM-W 160	93,0 [3.66]	21,33 [.84]
EPM-W 200	98,5 [3.88]	26,67 [1.05]
EPM-W 250	105,0 [4.13]	33,33 [1.31]
EPM-W 315	114,5 [4.51]	42,67 [1.68]
EPM-W 400	125,0 [4.92]	53,33 [2.10]
EPM-W 500	138,5 [5.45]	66,63 [2.62]
EPM-W 630	156,0 [6.14]	84,00 [3.31]

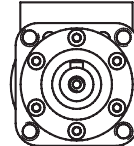
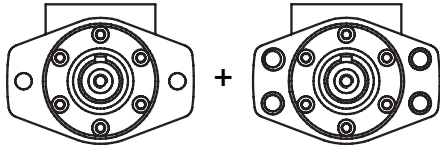
Weitere Technische Informationen Further technical informations

Zulässige Wellenbelastung für EPM und EPM-N Permissible shaft load for EPM and EPM-N

Die zulässige Wellenbelastung P_{rad} hängt ab von den Drehzahlen (n) und Abstand (L) zwischen dem Angriffspunkt der Last und dem Befestigungsflansch.

The permissible shaft load P_{rad} depends on the speed (n) and the distance (L) from the point of load to the mounting flange and shaft version.

Montageflansch Mounting flange



Für Wellenoptionen C, CO, K und SH:
For shaft options C, CO, K and SH:

$$P_{rad} = \frac{800}{n} \times \frac{25000}{95+L} \text{ ,[daN*]}$$

$$P_{rad} = \frac{800}{n} \times \frac{2215}{3.74+L} \text{ ,[lbs*]}$$

Für Wellenoptionen CB und HB:
For shaft options CB and HB:

$$P_{rad} = \frac{800}{n} \times \frac{18750}{95+L} \text{ ,[daN*]}$$

$$P_{rad} = \frac{800}{n} \times \frac{1660}{3.74+L} \text{ ,[lbs*]}$$

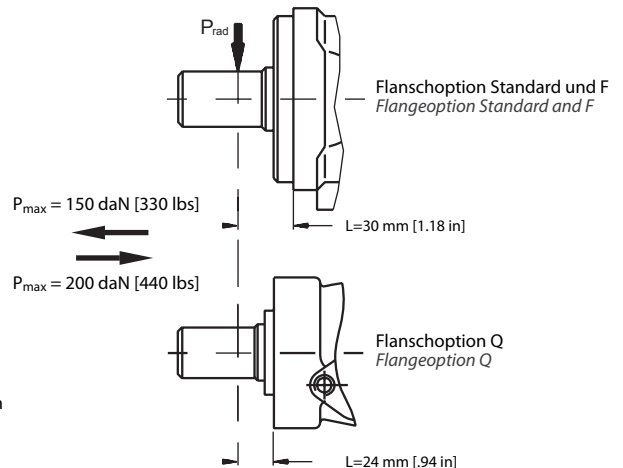
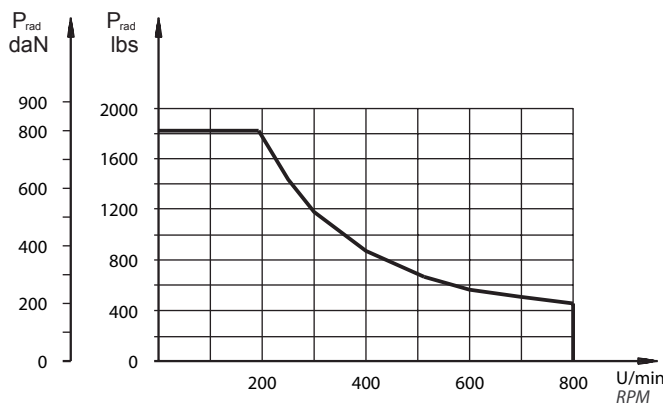
Für Wellenoptionen C und CO:
For shaft options C and CO:

$$P_{rad} = \frac{800}{n} \times \frac{25000}{101+L} \text{ ,[daN*]}$$

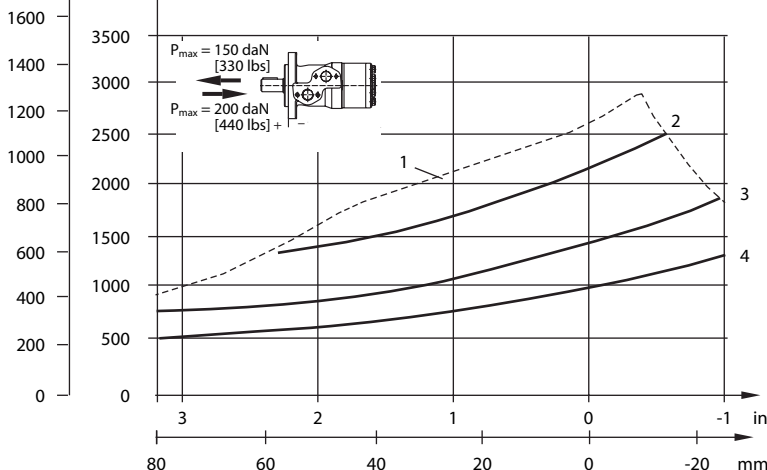
$$P_{rad} = \frac{800}{n} \times \frac{2215}{3.98+L} \text{ ,[lbs*]}$$

* $n \leq 200$ U/min RPM: Max $P_{rad} = 800$ daN [1800 lbs]
 $n \geq 200$ U/min RPM: $L < 55$ mm [2.2 in]

Radiale Wellenbelastung P_{rad} für Wellenoptionen C und CO bei $L=30$ mm [1.18 in] (24 mm [.94 in])
Radial shaft load P_{rad} for shaft options C and CO at $L=30$ mm [1.18 in] (24 mm [.94 in])

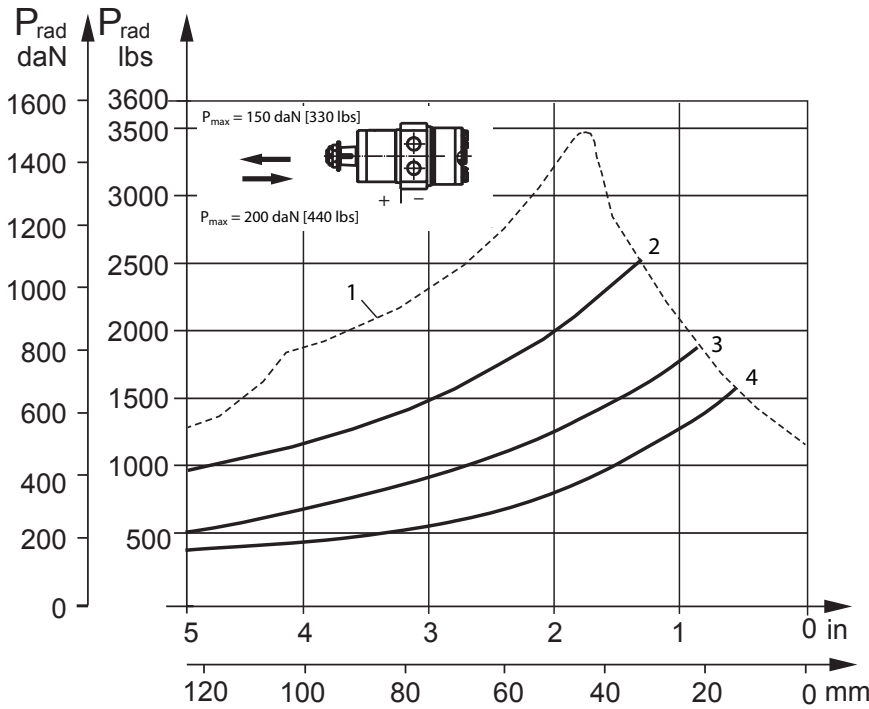


Die Kurven gelten für eine B10-Lebensdauer der Lager von 2000 Stunden
The curves apply to a B10 bearing life of 2000 hours



1. Max. radiale Wellenbelastung
Max. radial shaft load
2. $n = 50$ U/min
 $n = 50$ RPM
3. $n = 200$ U/min
 $n = 200$ RPM
4. $n = 800$ U/min
 $n = 800$ RPM

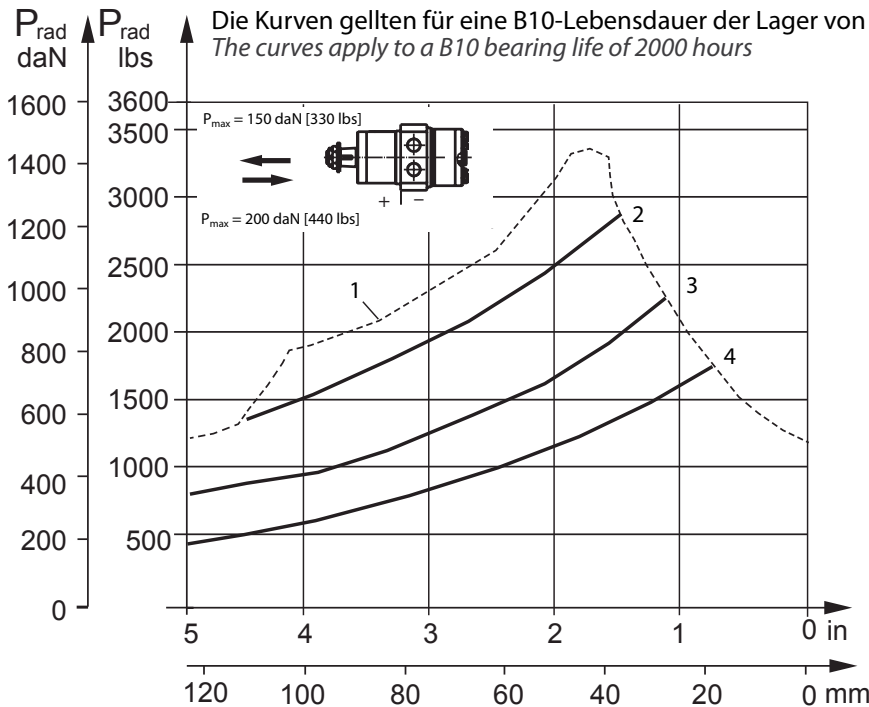
Zulässige Wellenbelastung für EPM-W
Permissible shaft load for EPM-W



1. Max. radiale Wellenbelastung
Max. radial shaft load
2. $n = 300 \text{ U/min}$
 $n = 300 \text{ RPM}$
3. $n = 500 \text{ U/min}$
 $n = 500 \text{ RPM}$
4. $n = 800 \text{ U/min}$
 $n = 800 \text{ RPM}$

Zulässige Wellenbelastung für EPM-W-N
Permissible shaft load for EPM-W-N

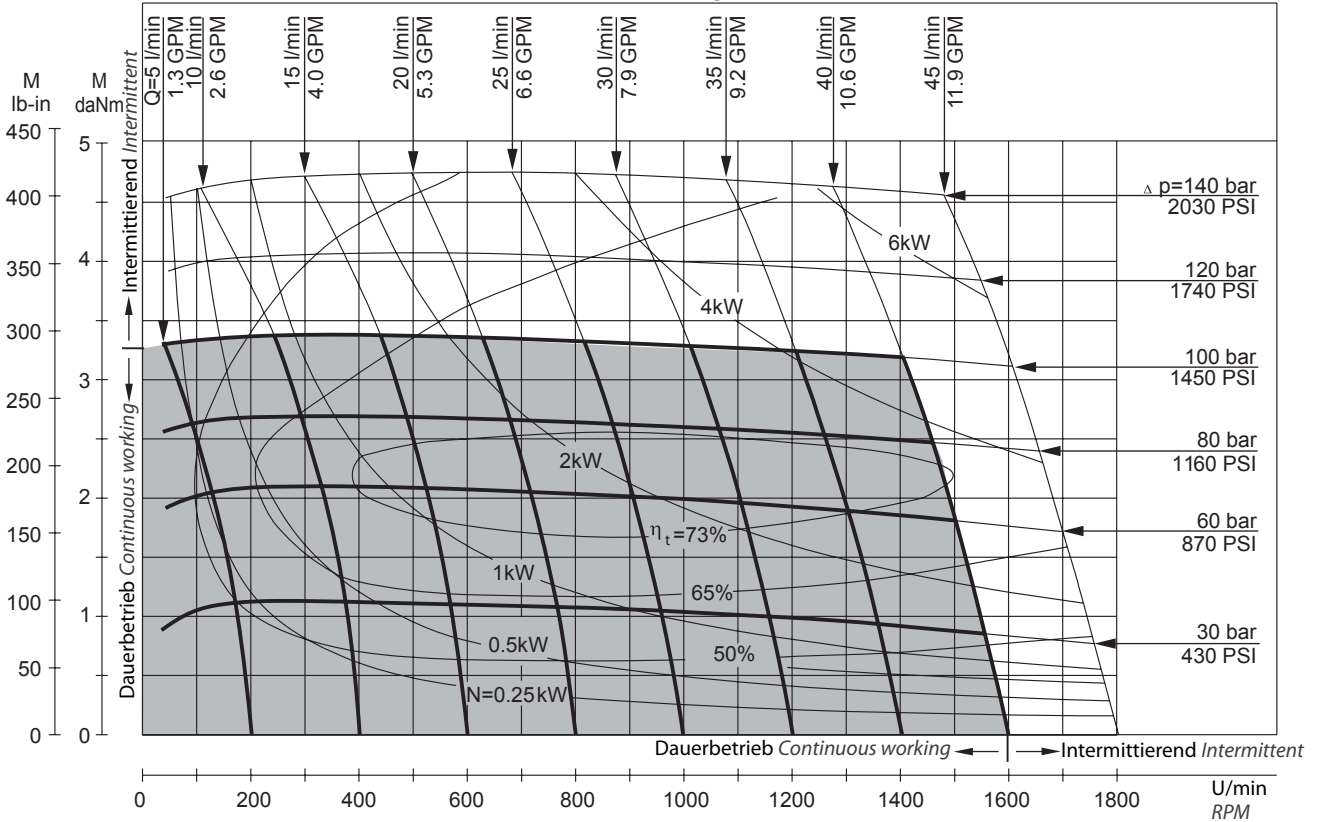
Die Kurven gelten für eine B10-Lebensdauer der Lager von 2000 Stunden
 The curves apply to a B10 bearing life of 2000 hours



1. Max. radiale Wellenbelastung
Max. radial shaft load
2. $n = 50 \text{ U/min}$
 $n = 50 \text{ RPM}$
3. $n = 200 \text{ U/min}$
 $n = 200 \text{ RPM}$
4. $n = 800 \text{ U/min}$
 $n = 800 \text{ RPM}$

Leistungsdiagramme *Function diagrams*

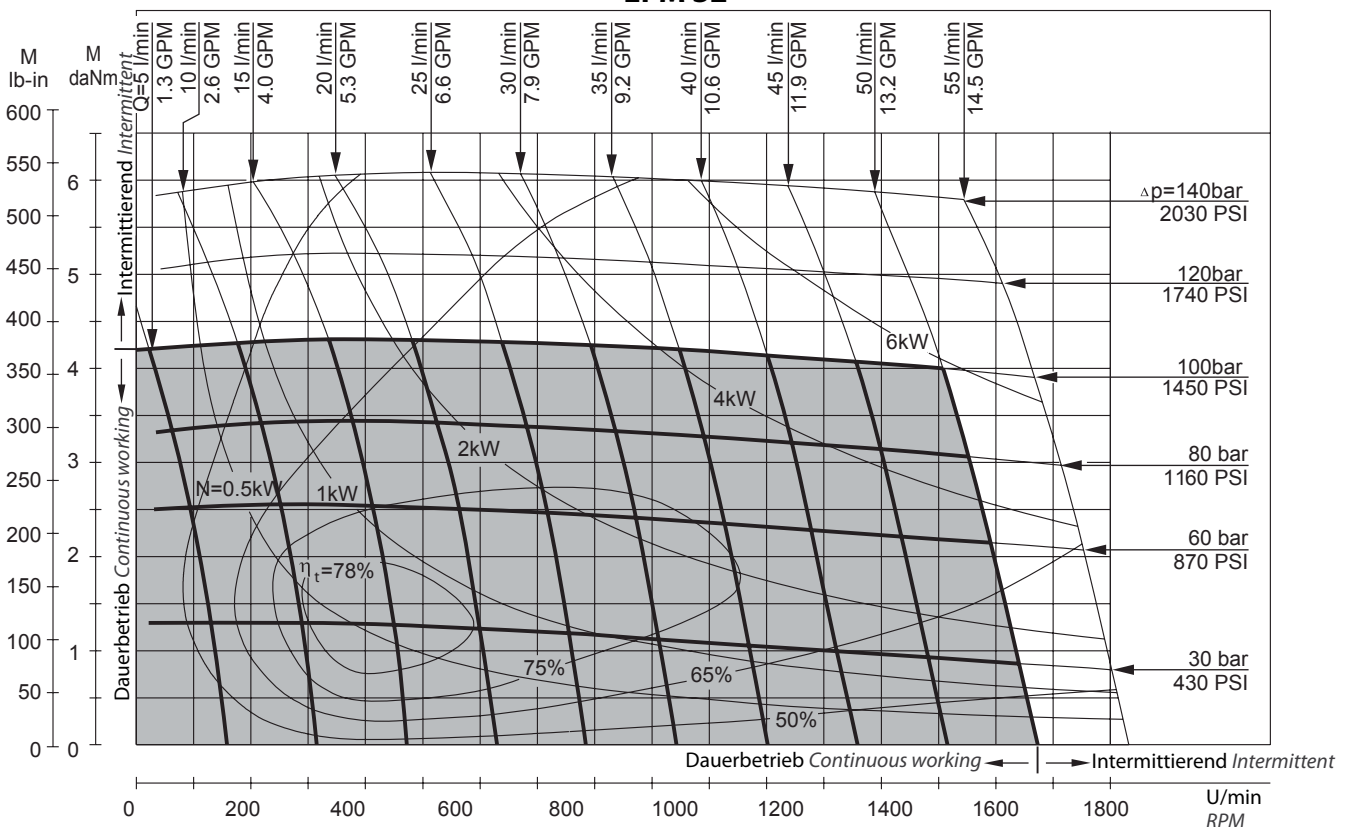
EPM 25



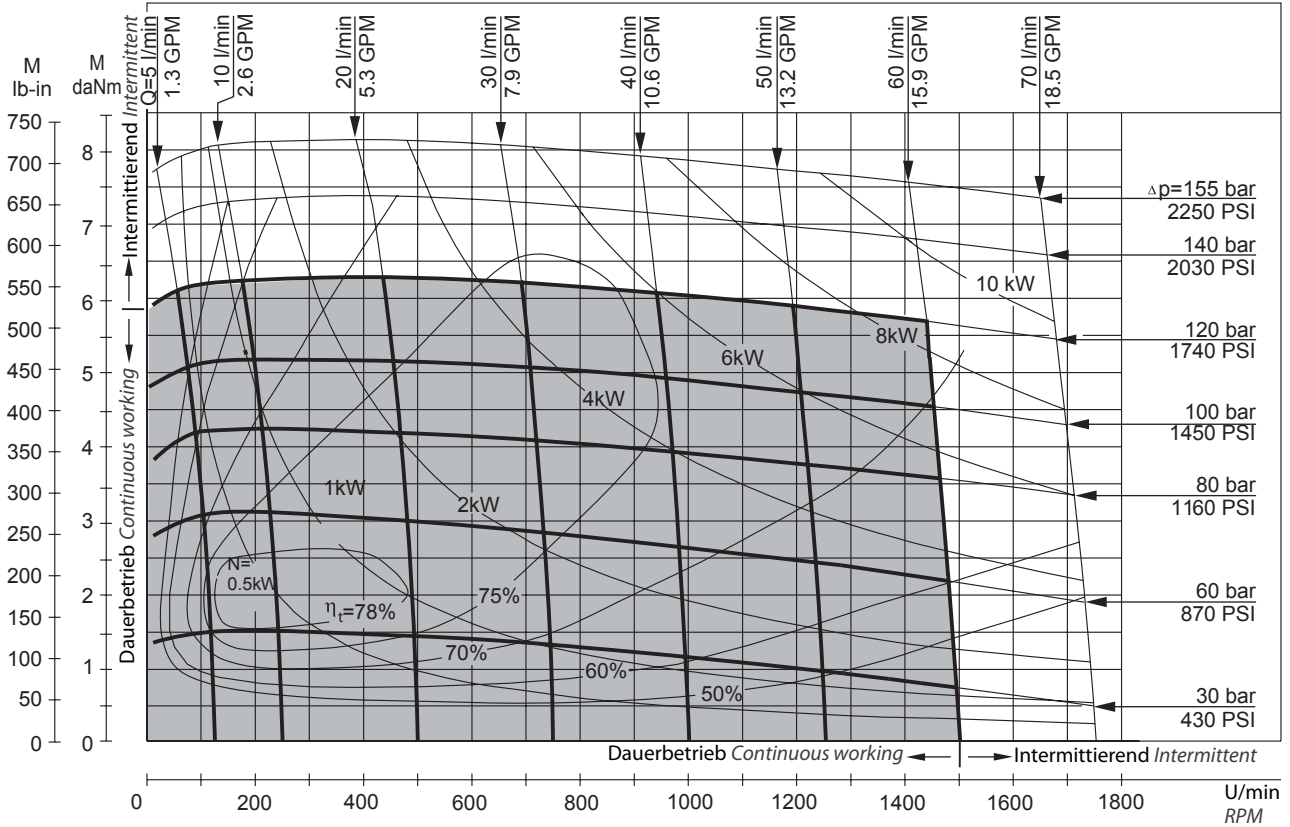
Die Leistungsdiagramme werden bei einem Rücklaufdruck von 5-10 bar [72.5-145 PSI] erreicht. Kinematische Viskosität des Hydrauliköls 32 mm²/s [150 SUS] bei 50° C [122° F]

The function diagrams data is for average performance of randomly selected motors at back pressure 5-10 bar [72.5-145 PSI] and oil viscosity of 32 mm²/s [150 SUS] at 50° C [122° F]

EPM 32



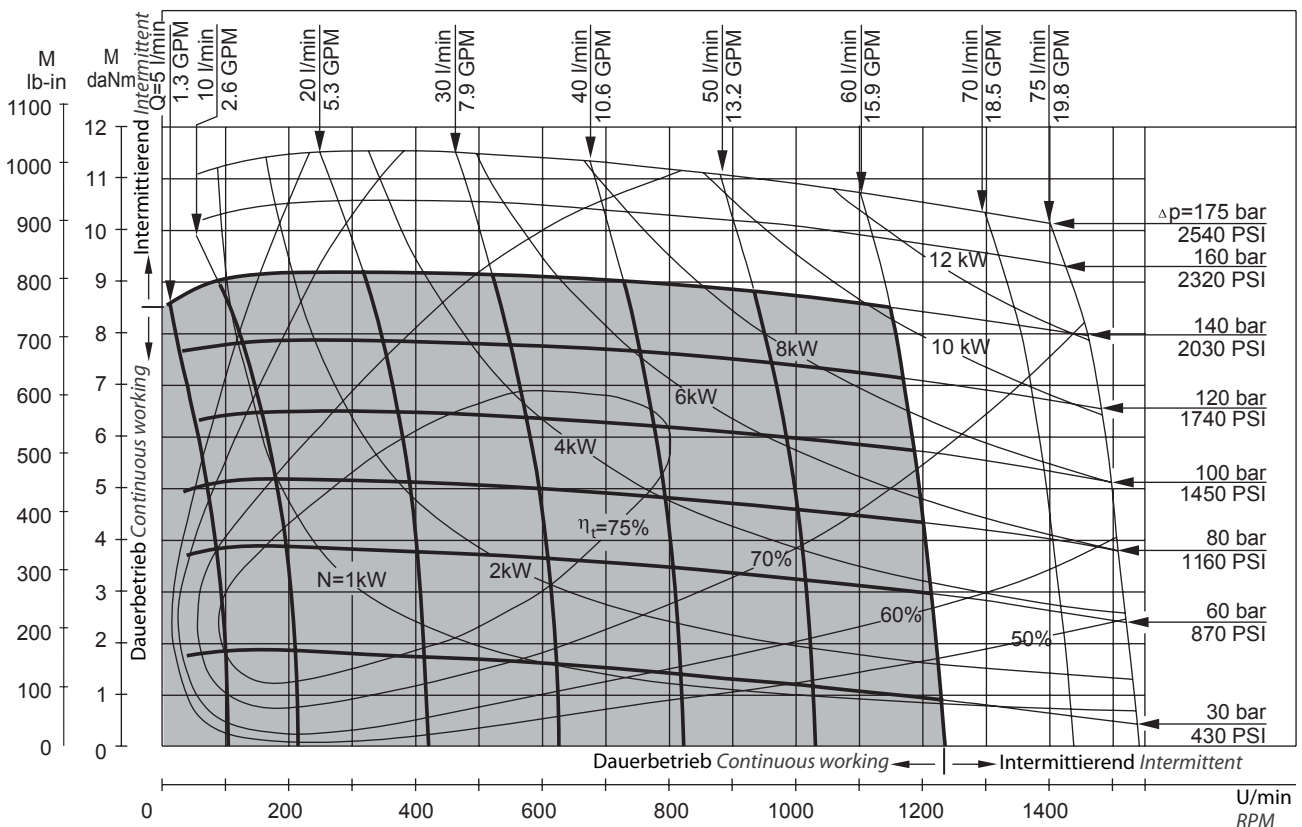
EPM 40



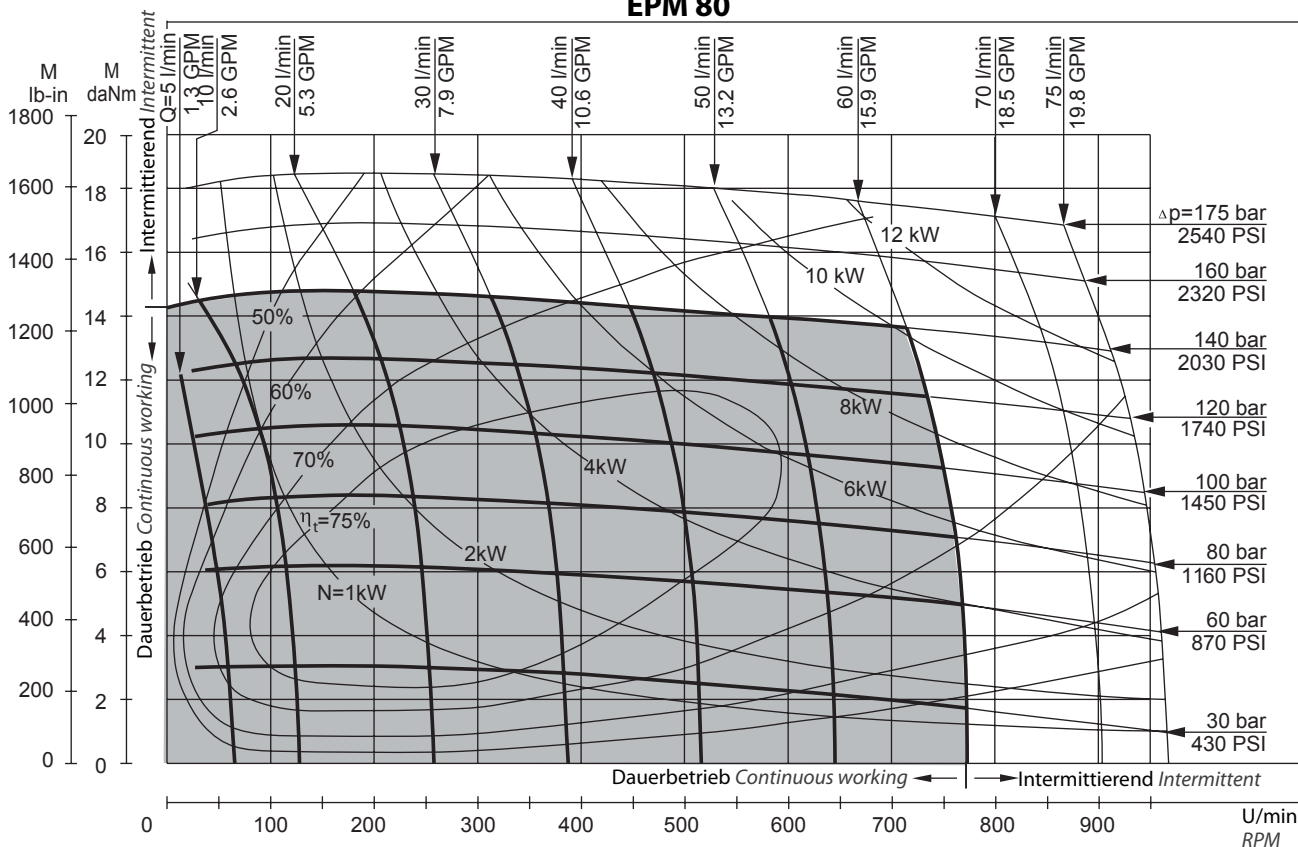
Die Leistungsdiagramme werden bei einem Rücklaufdruck von 5-10 bar [72.5-145 PSI] erreicht. Kinematische Viskosität des Hydrauliköls 32 mm²/s [150 SUS] bei 50° C [122° F]

The function diagrams data is for average performance of randomly selected motors at back pressure 5-10 bar [72.5-145 PSI] and oil viscosity of 32 mm²/s [150 SUS] at 50° C [122° F]

EPM 50



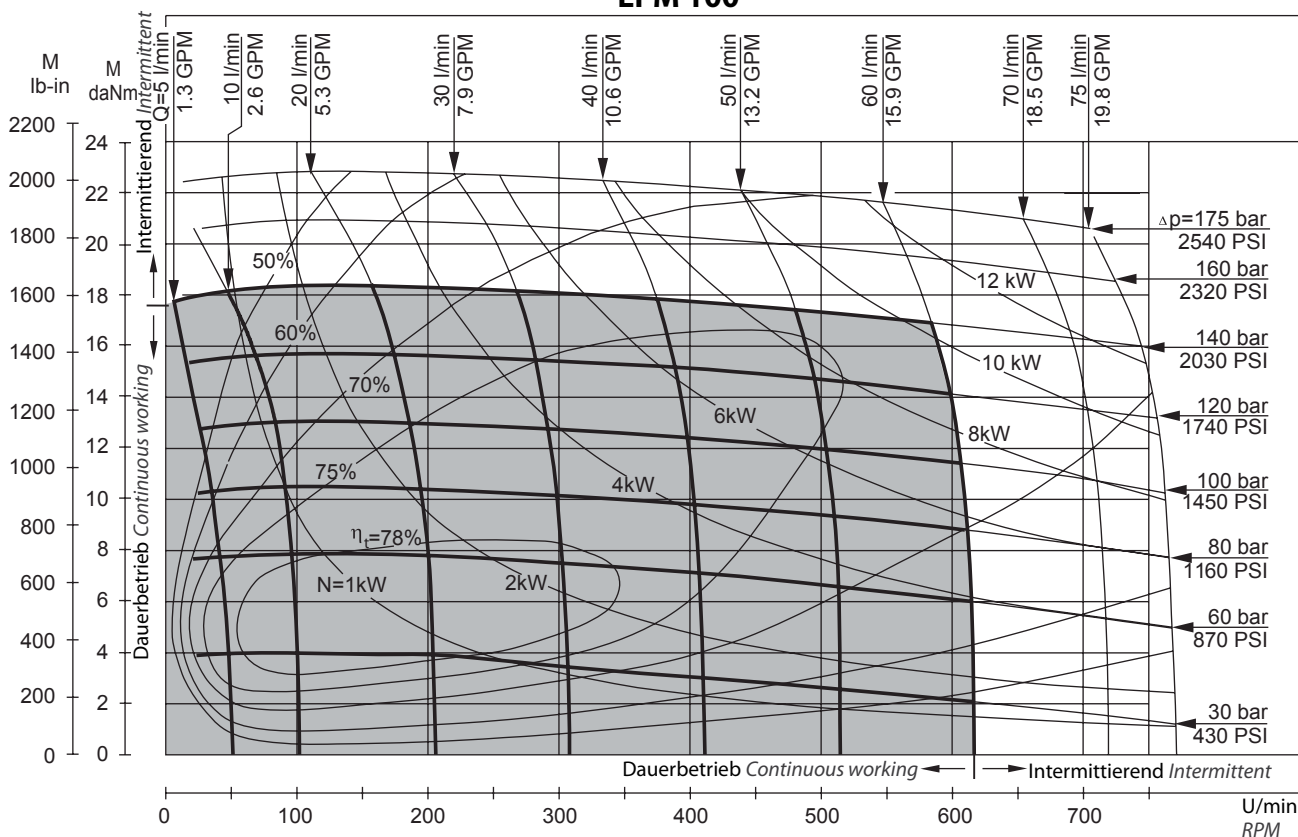
EPM 80



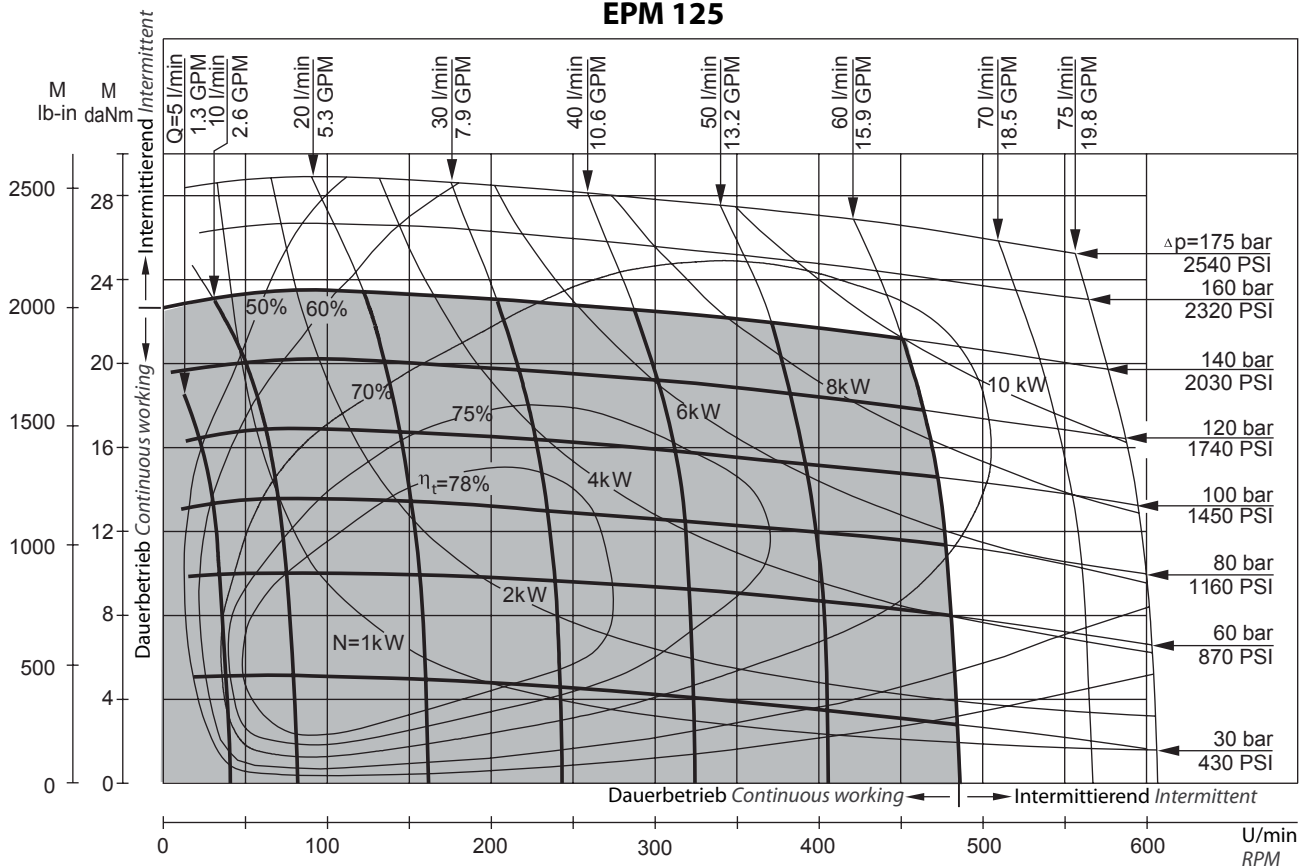
Die Leistungsdiagramme werden bei einem Rücklaufdruck von 5-10 bar [72.5-145 PSI] erreicht. Kinematische Viskosität des Hydrauliköls 32 mm²/s [150 SUS] bei 50° C [122° F]

The function diagrams data is for average performance of randomly selected motors at back pressure 5-10 bar [72.5-145 PSI] and oil viscosity of 32 mm²/s [150 SUS] at 50° C [122° F]

EPM 100



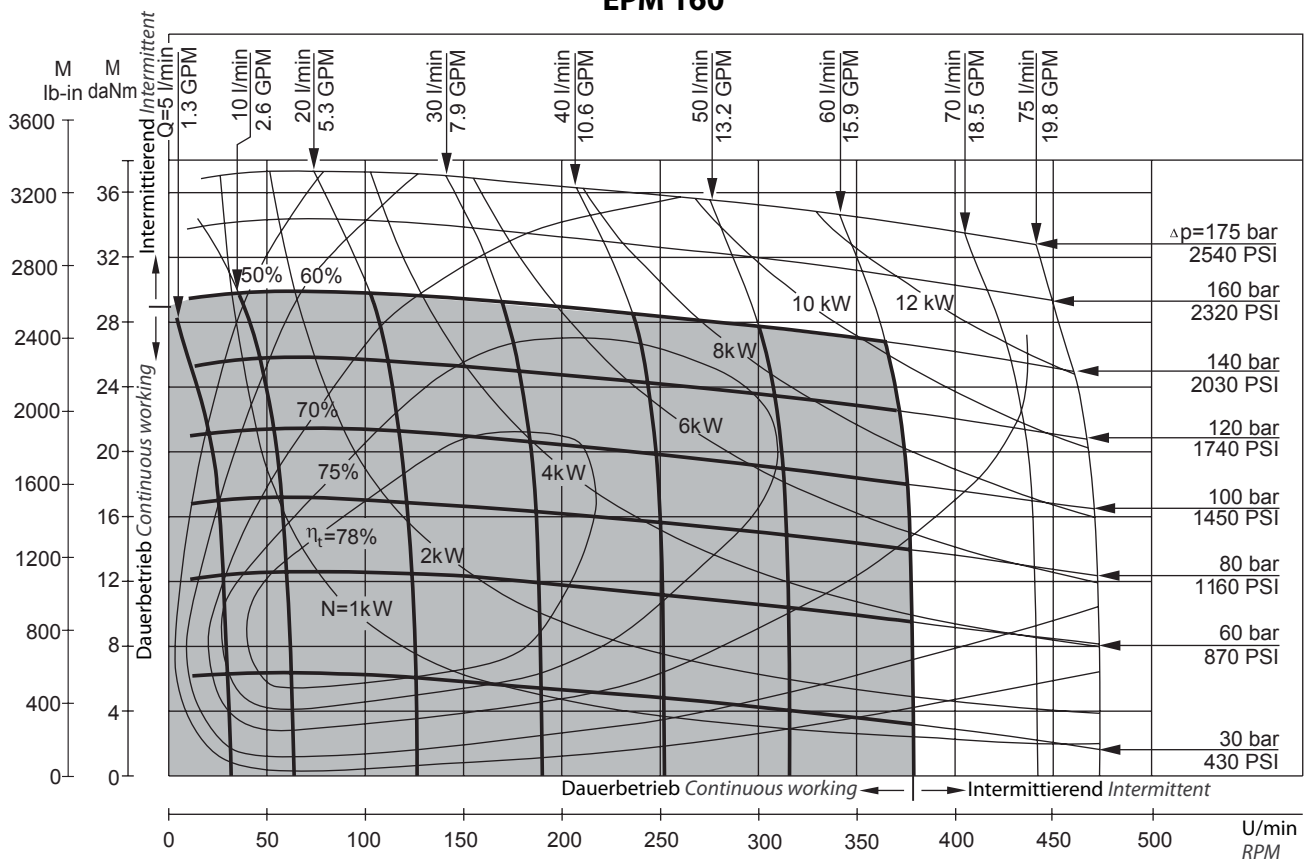
EPM 125



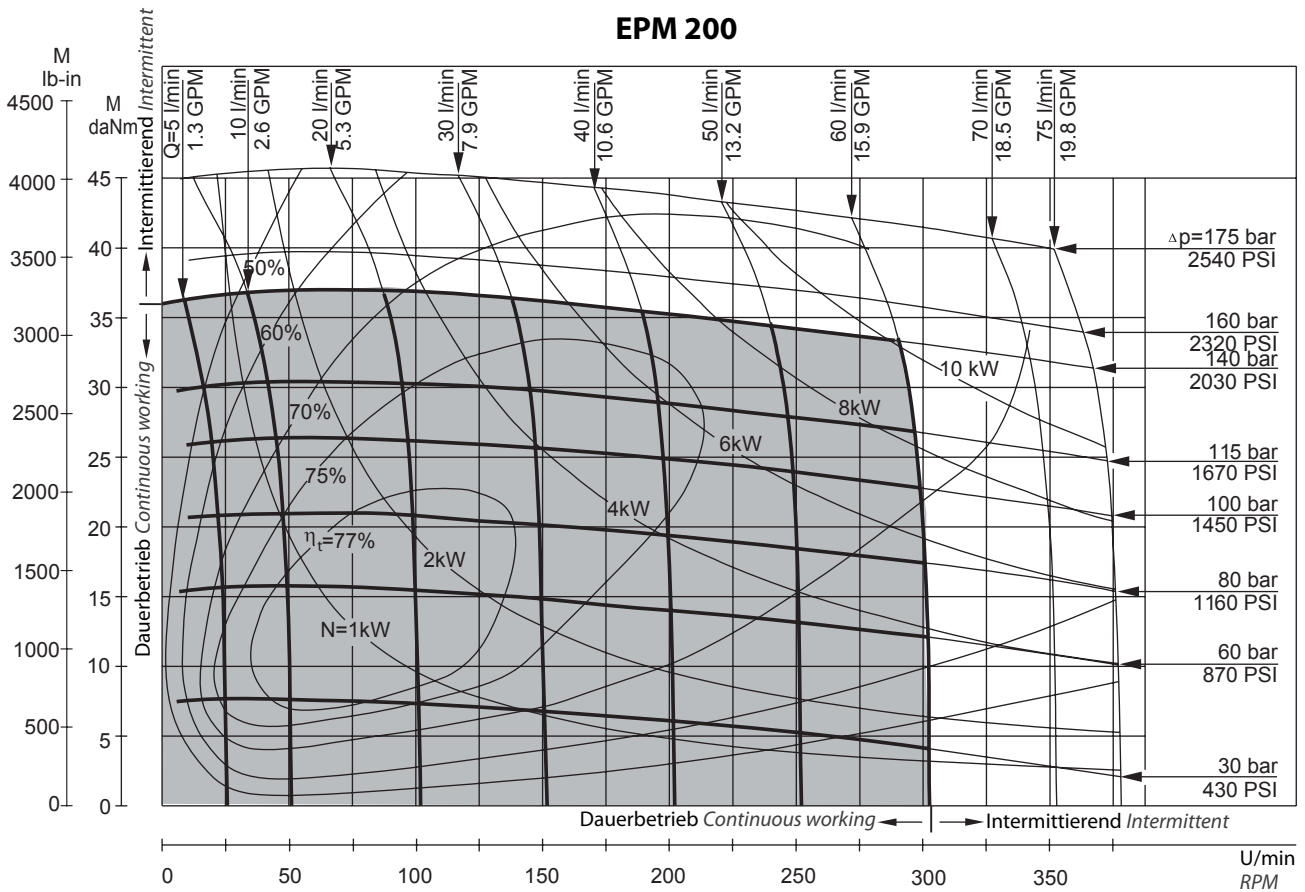
Die Leistungsdiagramme werden bei einem Rücklaufdruck von 5-10 bar [72.5-145 PSI] erreicht. Kinematische Viskosität des Hydrauliköls 32 mm²/s [150 SUS] bei 50° C [122° F]

The function diagrams data is for average performance of randomly selected motors at back pressure 5-10 bar [72.5-145 PSI] and oil viscosity of 32 mm²/s [150 SUS] at 50° C [122° F]

EPM 160



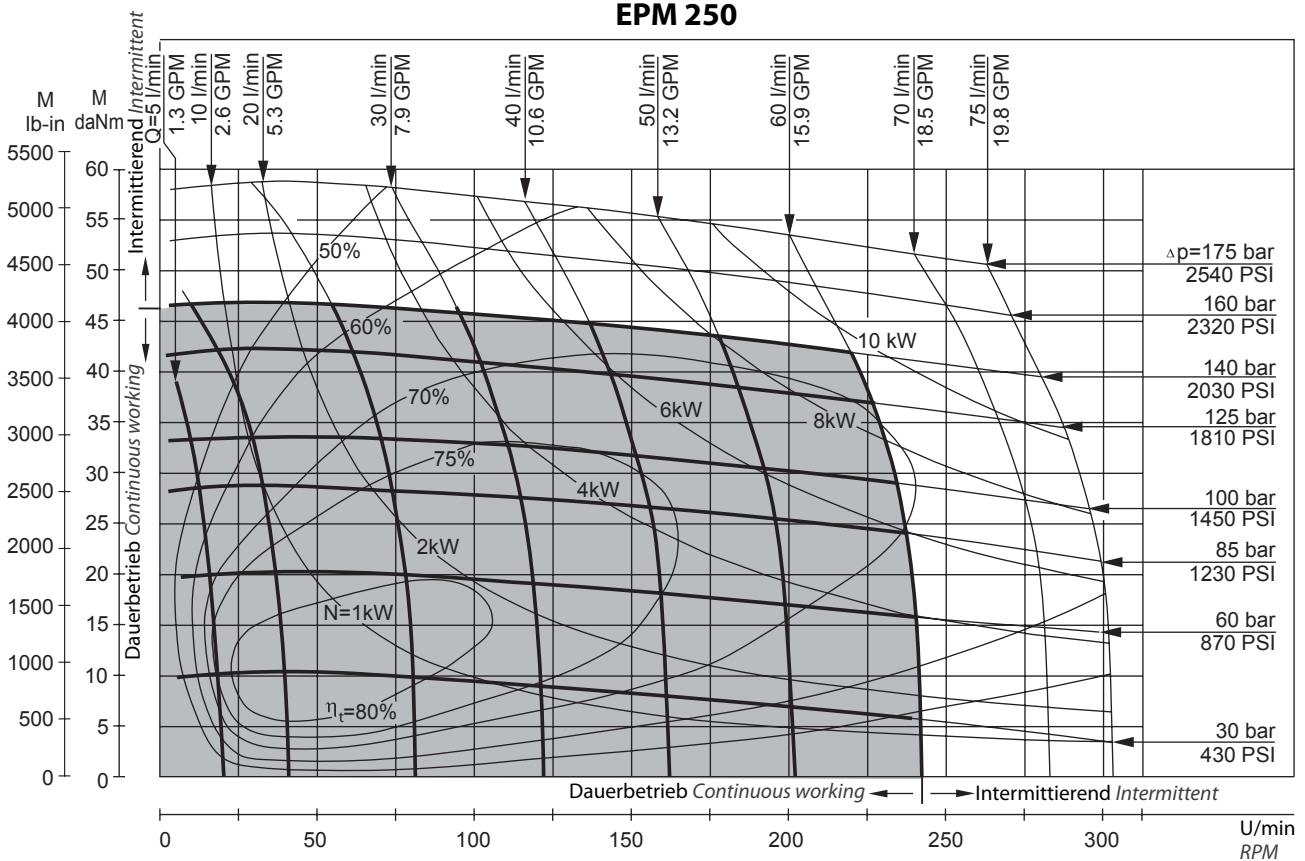
EPM 200



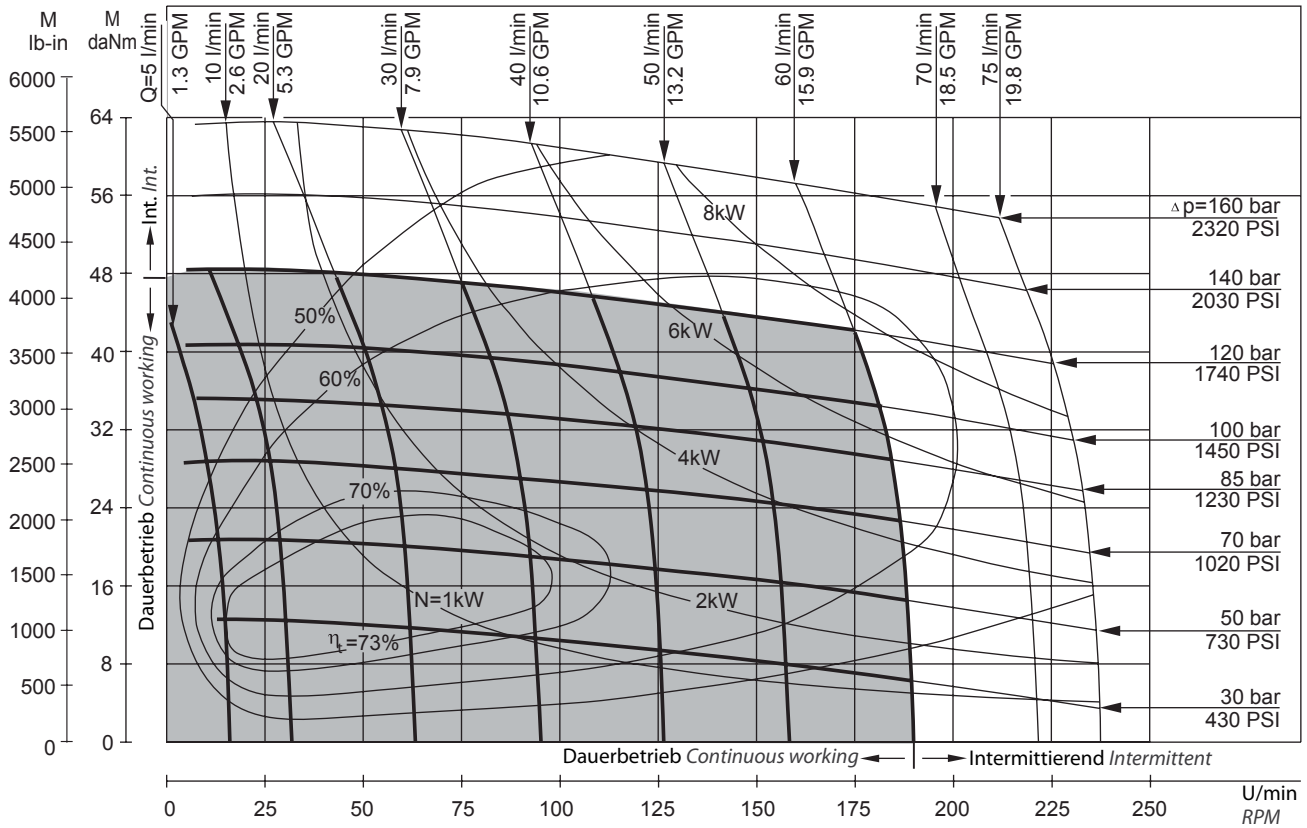
Die Leistungsdiagramme werden bei einem Rücklaudruck von 5-10 bar [72.5-145 PSI] erreicht. Kinematische Viskosität des Hydrauliköls 32 mm²/s [150 SUS] bei 50° C [122° F]

The function diagrams data is for average performance of randomly selected motors at back pressure 5-10 bar [72.5-145 PSI] and oil viscosity of 32 mm²/s [150 SUS] at 50° C [122° F]

EPM 250



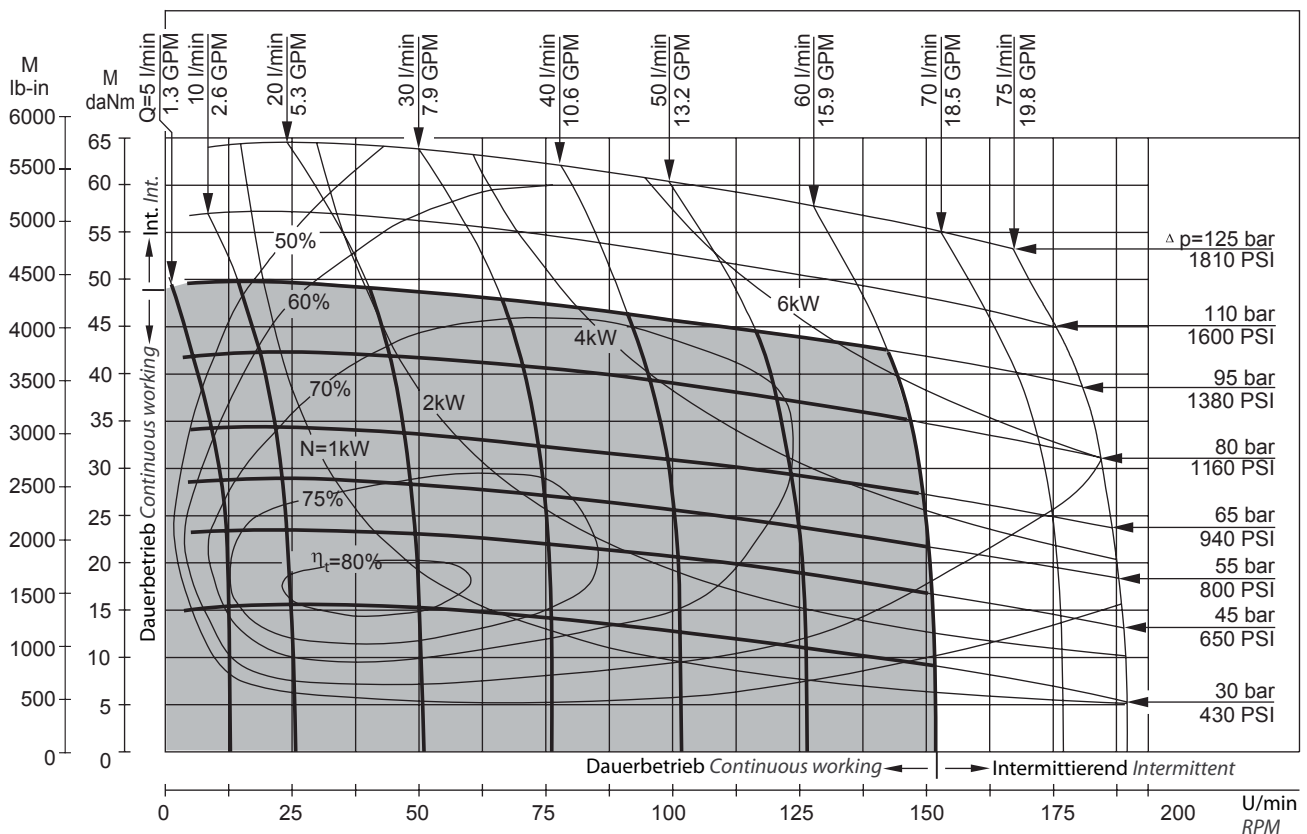
EPM 315



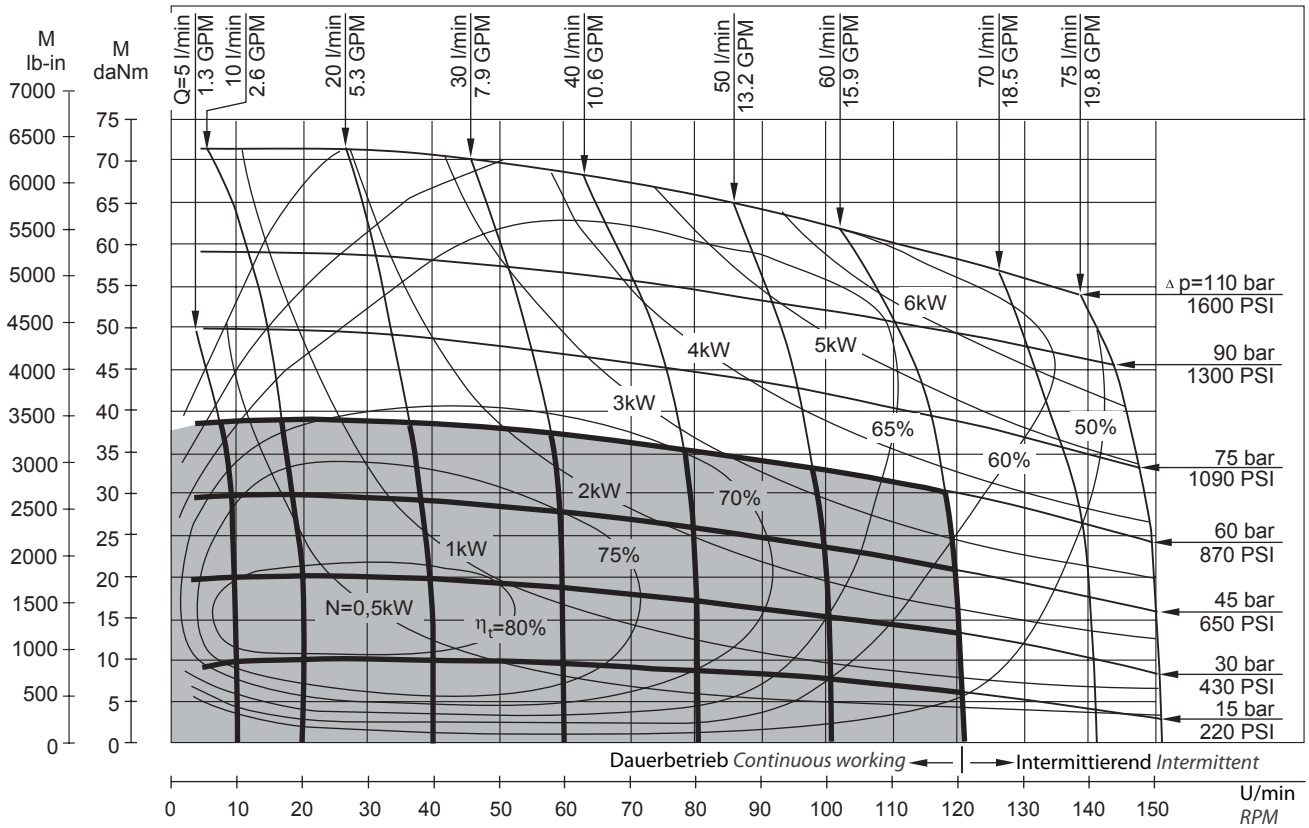
Die Leistungsdiagramme werden bei einem Rücklaufdruck von 5-10 bar [72.5-145 PSI] erreicht. Kinematische Viskosität des Hydrauliköls 32 mm²/s [150 SUS] bei 50° C [122° F]

The function diagrams data is for average performance of randomly selected motors at back pressure 5-10 bar [72.5-145 PSI] and oil viscosity of 32 mm²/s [150 SUS] at 50° C [122° F]

EPM 400



EPM 500



Die Leistungsdiagramme werden bei einem Rücklaufdruck von 5-10 bar [72.5-145 PSI] erreicht. Kinematische Viskosität des Hydrauliköls 32 mm²/s [150 SUS] bei 50° C [122° F]

The function diagrams data is for average performance of randomly selected motors at back pressure 5-10 bar [72.5-145 PSI] and oil viscosity of 32 mm²/s [150 SUS] at 50° C [122° F]

EPM 630

