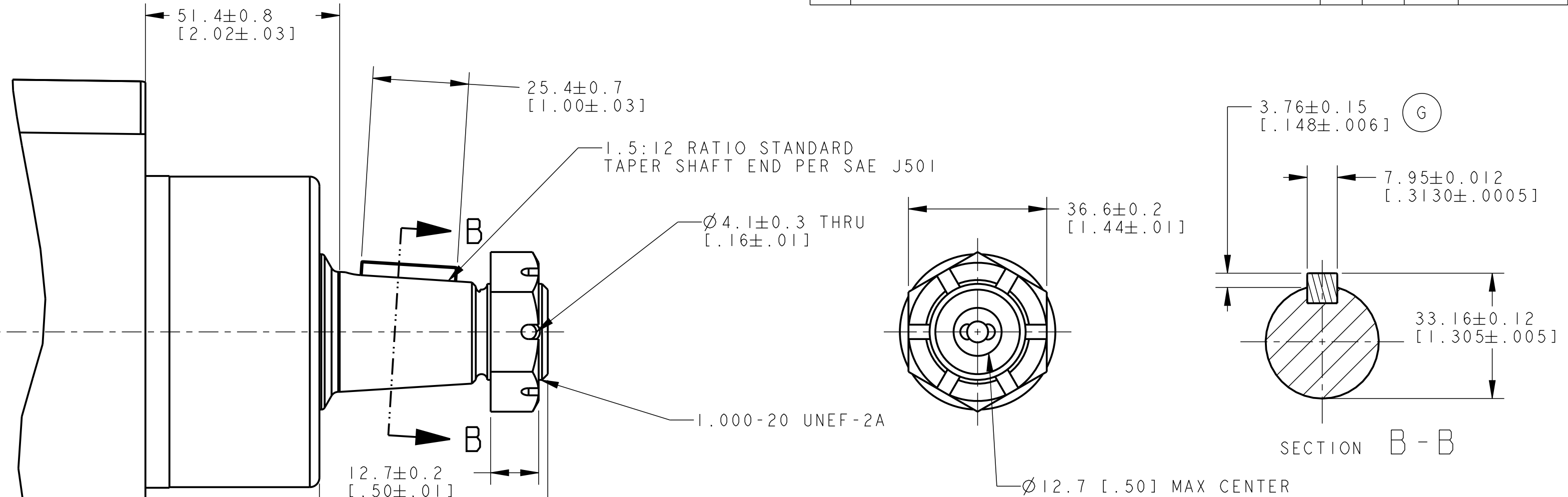


REV	DESCRIPTION	BY	CHK	DATE	ECN / MPS
A	RELEASE FOR SAMPLES AND ESTIMATES	PM		03/09/06	X-54953
F	-1)DRAWING REVISED FOR STACK-UP -2)REVISED SECTION B-B -3)ADDED MOUNTINGTYPE AF TO NOTE 1	YUP	YUP	01/19/16	M98843A
G	ADDED .148±.006	SMK	PJ	09/14/17	0083558



NOTE:
 1 MOUNTING TYPE : AA, AE, AF
 2 OUTPUT SHAFT : 02, 24

C/S REVIEWED FOR CLASSIFICATION PER ESP-042

DRAWING BASED ON ASME Y14.5-2009

EATON CORPORATION - CONFIDENTIAL AND PROPRIETARY
 NOTICE TO PERSONS RECEIVING THIS DRAWING
 AND / OR TECHNICAL INFORMATION

THIS DOCUMENT, INCLUDING THE DRAWING AND INFORMATION CONTAINED THEREON, IS CONFIDENTIAL AND IS THE EXCLUSIVE PROPERTY OF EATON CORPORATION, AND IS MERELY ON LOAN AND SUBJECT TO RECALL BY EATON AT ANY TIME. BY TAKING POSSESSION OF THIS DOCUMENT, THE RECIPIENT ACKNOWLEDGES AND AGREES THAT THIS DOCUMENT CANNOT BE USED IN ANY MANNER ADVERSE TO THE INTERESTS OF EATON, AND THAT NO PORTION OF THIS DOCUMENT MAY BE COPIED OR OTHERWISE REPRODUCED WITHOUT THE PRIOR WRITTEN CONSENT OF EATON. IN THE CASE OF CONFLICTING CONTRACTUAL PROVISIONS, THIS NOTICE SHALL GOVERN THE STATUS OF THIS DOCUMENT. COPYRIGHT 2008 EATON CORPORATION - ALL RIGHTS RESERVED.

EATON
 Powering Business Worldwide
 Eaton Hydraulics LLC
 14615 Lone Oak Road
 Eden Prairie, MN 55344
 USA

UNLESS OTHERWISE SPECIFIED ALL DIMENSIONS ARE IN INCHES <input checked="" type="checkbox"/> MILLIMETERS (INCHES) <input type="checkbox"/>	DRAWN PM BY/DATE 03/14/2006	MATERIAL/HEAT TREAT -
TOLERANCES .X ± 0.1 .XX ± 0.01 .XXX ± 0.001 ∠ ± 0.5°	CHECKED SMM BY/DATE 03/14/2006	TITLE DELTA MOTOR SHAFT INSTALLATION
UNSPECIFIED RADII ARE: ---	ENGRG TIM BY/DATE 03/14/2006	NUMBER A-2824-002
UNSPECIFIED DRAFT ANGLES ARE: ---	METALLURGY --- BY/DATE ---	SCALE 1/1 SHEET 1 OF 1
B SIZE	THIRD ANGLE PROJECTION DO NOT SCALE	ARITHMETICAL AVERAGE <input checked="" type="checkbox"/>