

2250 BRAKES

Model:
2250 BRAKES



Part List English

29-08-2012

Table of Contents

2250 BRAKES

| | |
|---|----------|
| Perkins - Wheelmotor and Brakes - E70001021-05A | 3 |
| Perkins - Brake Pedal, Parking Brake, Brakerod - E | 5 |

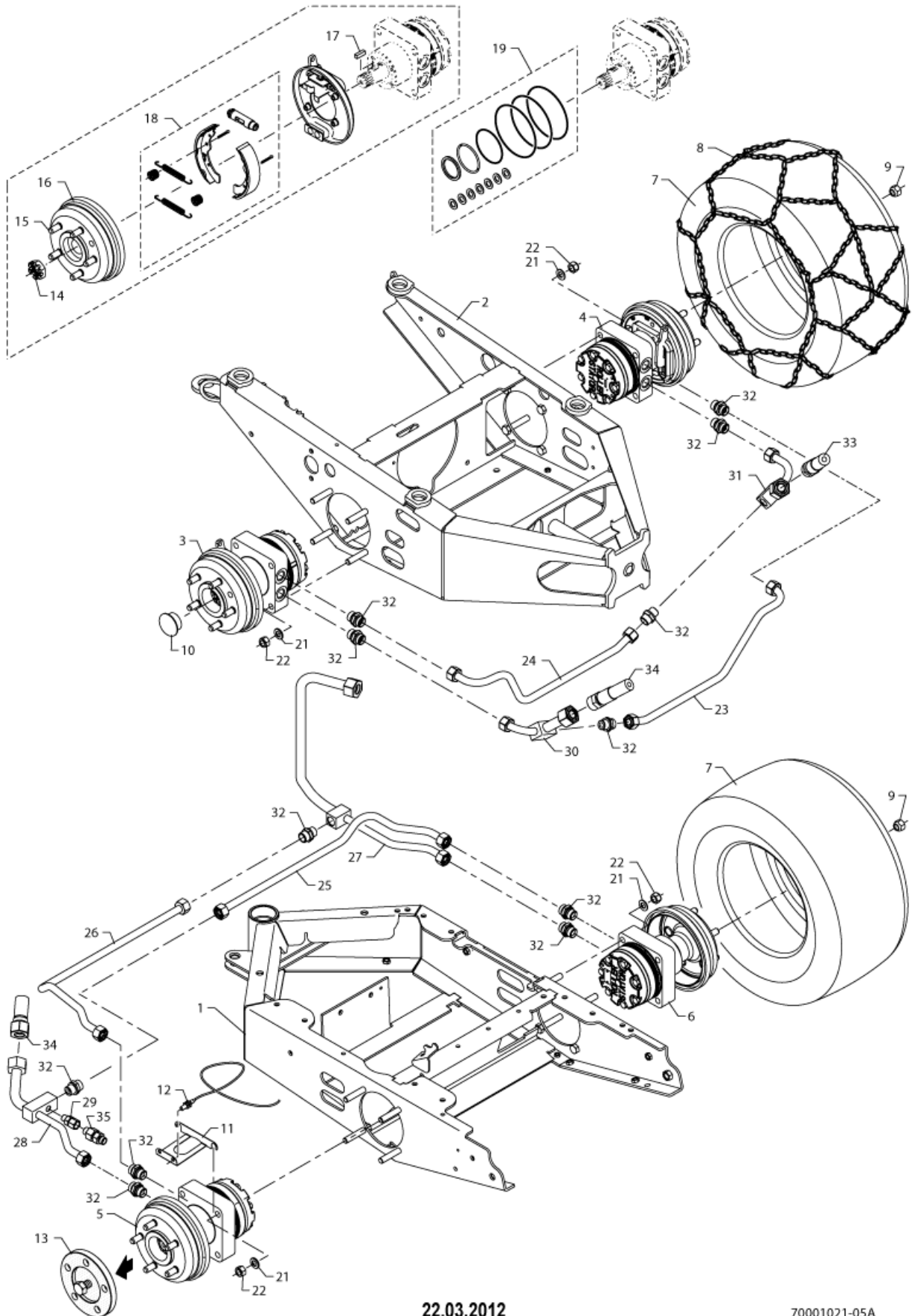
Perkins - Wheelmotor and Brakes - E70001021-(

2250 BRAKES

29-08-2012

Part List ID
EGH2250PER5

3



22.03.2012

70001021-05A

Perkins - Wheelmotor and Brakes - E70001021-(

2250 BRAKES

29-08-2012

Part List ID
EGH2250PER5

4

| Pos | Part no. | Qty | Description |
|-----|-----------|-----|---------------------------------------|
| 1 | E61203090 | 1 | REAR CHASSIS 2250. PERKINS |
| 3 | E04001760 | 1 | WHEEL MOTOR W BRAKE |
| 4 | E04001770 | 1 | WHEEL MOTOR W BRAKE |
| 5 | E04001780 | 1 | WHEEL MOTOR |
| 6 | E04001790 | 1 | WHEEL MOTOR |
| 8 | E01100400 | 1 | Snow chains (2 pcs.) |
| 9 | E03809530 | 5 | STEEL NUT |
| 10 | E02701380 | 1 | PLASTIC COVER ROUND |
| 11 | E41102250 | 1 | FITTINGS FOR SENSOR |
| 12 | E90501781 | 1 | REVOLUTION INDICATOR |
| 13 | E90501662 | 1 | PULLER F. DRUM BRAKE |
| 14 | E04009540 | 1 | STEEL NUT |
| 15 | E04009530 | 1 | WHEEL STUD |
| 16 | E04009520 | 1 | BRAKE DRUM |
| 17 | E04009570 | 1 | PARALLEL KEY |
| 18 | E04009510 | 1 | BRAKE SHOE SET |
| 19 | E04009480 | 1 | GASKET SET |
| 21 | E03900060 | 10 | DISC |
| 22 | E03803080 | 10 | LOCK NUT |
| 23 | E09725229 | 1 | HYDRAULIC PIPE RIGHT A-PORT |
| 24 | E09725209 | 1 | HYDRAULIC PIPE B-PORT |
| 25 | E09725169 | 1 | HYDRAULIC PIPE B-PORT |
| 26 | E09725139 | 1 | HYDRAULIC PIPE A-PORT |
| 27 | E41203930 | 1 | HYDRAULIC BLOCK A-PORT |
| 28 | E41203950 | 1 | HYDRAULIC BLOCK B-PORT |
| 29 | E04120560 | 1 | STRAIGHT SCREWING 1/4 UDV.TIL AL10 |
| 30 | E41203910 | 1 | HYDRAULIC BLOCK A-PORT |
| 31 | E41203900 | 1 | HYDRAULIC BLOCK B-PORT |
| 32 | E04120170 | 1 | STRAIGHT SCREWING |
| 33 | E04422860 | 1 | RAPID HYDRAULIC HOSE 5/8X880MM-250BAR |
| 34 | E04422540 | 1 | HYDRAULIC HOSE 5/8X895MM-250 |
| 35 | E04804090 | 1 | NON-RETURN VALVE |

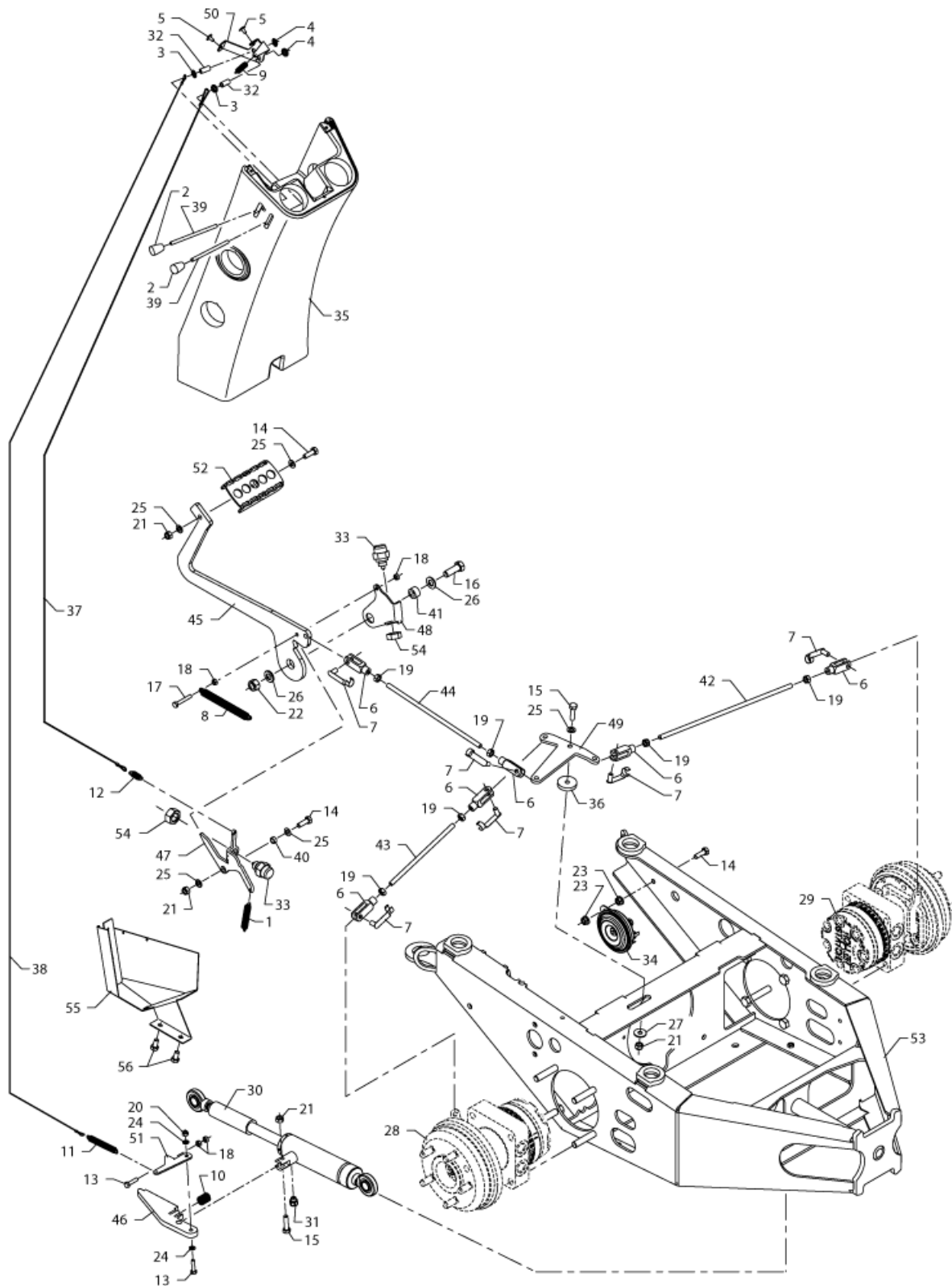
Perkins - Brake Pedal, Parking Brake, Brakerod

2250 BRAKES

29-08-2012

Part List ID
EGH2250PER7

5



07.03.2012

70001021-07A

Perkins - Brake Pedal, Parking Brake, Brakerod

2250 BRAKES

29-08-2012

Part List ID
EGH2250PER7

6

| Pos | Part no. | Qty | Description |
|-----|-----------|-----|------------------------------|
| 1 | E02201310 | 1 | TENSION SPRING |
| 2 | E01302200 | 1 | HANDLE |
| 3 | E01906050 | 1 | LOCK DISC |
| 4 | E01906070 | 1 | LOCK DISC |
| 5 | E02000160 | 1 | RIVET |
| 6 | E02100020 | 1 | YOKE JOINT |
| 7 | E02101020 | 1 | ES-BOLT |
| 8 | E02201300 | 1 | TENSION SPRING |
| 9 | E02202140 | 1 | TENSION SPRING |
| 10 | E02203260 | 1 | COMPRESSION SPRING |
| 11 | E02203280 | 1 | TENSION SPRING |
| 12 | E02202170 | 1 | TENSION SPRING |
| 13 | E03100100 | 10 | STEEL BOLT |
| 14 | E03100150 | 10 | STEEL BOLT |
| 15 | E03100160 | 10 | STEEL BOLT |
| 16 | E03100290 | 10 | STEEL BOLT |
| 17 | E03200070 | 10 | STEEL BOLT |
| 18 | E03800030 | 10 | STEEL NUT |
| 19 | E03800050 | 10 | STEEL NUT |
| 20 | E03803040 | 10 | LOCK NUT |
| 21 | E03803060 | 10 | LOCK NUT |
| 22 | E03803080 | 10 | LOCK NUT |
| 23 | E03809050 | 10 | FLANGE NUT F |
| 24 | E03900030 | 10 | DISC |
| 25 | E03900040 | 10 | DISC |
| 26 | E03900060 | 10 | DISC |
| 27 | E03902020 | 10 | SHIELD DISC |
| 28 | E04001580 | 1 | WHEEL MOTOR W BRAKE CCW 200C |
| 29 | E04001590 | 1 | WHEEL MOTOR W BRAKE CW 200CC |
| 30 | E04502170 | 1 | HYDRAULIC CYLINDER |
| 31 | E04601010 | 1 | SILENCER |
| 32 | E04700610 | 1 | HOSE |
| 33 | E05002050 | 1 | SAFETY SWITCH |
| 34 | E05008030 | 1 | HORN |
| 35 | E09720040 | 1 | COVER |
| 36 | E09721410 | 1 | DISC |
| 37 | E09721700 | 1 | STEEL WIRE P-BRAKE |
| 38 | E09722430 | 1 | STEEL WIRE |
| 39 | E09921690 | 1 | PARK BRAKE LEVER |
| 40 | E61000228 | 1 | SPACER PIPE |
| 41 | E61000268 | 1 | SPACER WATER VALVE |
| 42 | E61000278 | 1 | BRAKE ROD RIGHT |
| 43 | E61000288 | 1 | BRAKE ROD LEFT |

Perkins - Brake Pedal, Parking Brake, Brakerod

2250 BRAKES

29-08-2012

Part List ID
EGH2250PER7

7

| Pos | Part no. | Qty | Description |
|-----|-----------|-----|----------------------|
| 44 | E61000378 | 1 | BRAKE ROD FROM PEDAL |
| 45 | E61001159 | 1 | BRAKE PEDAL |
| 46 | E61000859 | 1 | TRANSPORT LOCK |
| 47 | E61001169 | 1 | PARKING LOCK |
| 48 | E61101269 | 1 | FITTINGS |
| 49 | E61100545 | 1 | BRAKE COMPENSATOR |
| 50 | E61100585 | 1 | HOLDER FOR P-BRAKE |
| 51 | E61101009 | 1 | ADJUSTING PLATE |
| 52 | E61200405 | 1 | PEDAL PLATE |
| 53 | E61200690 | 1 | FRONT CHASSIS |
| 54 | E04509110 | 1 | LOCK NUT |