

# Kit Adaptador Kit Adapter

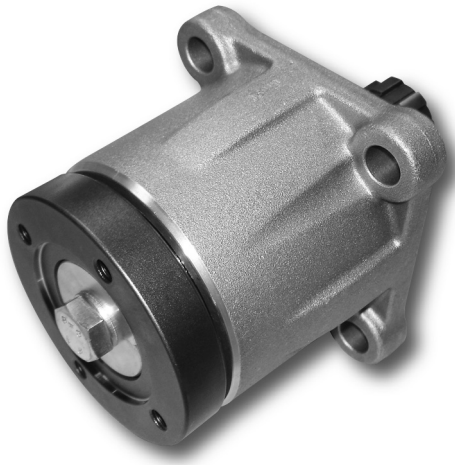
código code

**VARIOS**

Adaptador de plato con 2 apoyos  
Output flange adapter with two bearing supports

Adaptador  
Adapter

## Descripción Description



Kit adaptador a Tomas de fuerza de compacto para convertir a salida con plato de transmisión (Rod. conicos) serie opcional 1100, 1300, 1400 o DIN 100.

Adapter Kit for close couple PTO's to convert in output shaft drive releases (Taper roller bearing) SAE 1100, 1300, 1400 o DIN 100.

### Datos Principales Main Data

Peso Weight (Kg)	4
---------------------	---

### Código de Pedido Order Code

Código Code	Serie Release	Par máximo Max. Torque (Nm)
700104	SAE 1100	300
700204	SAE 1300	450
700304	SAE 1400	600
706804	DIN 100	450

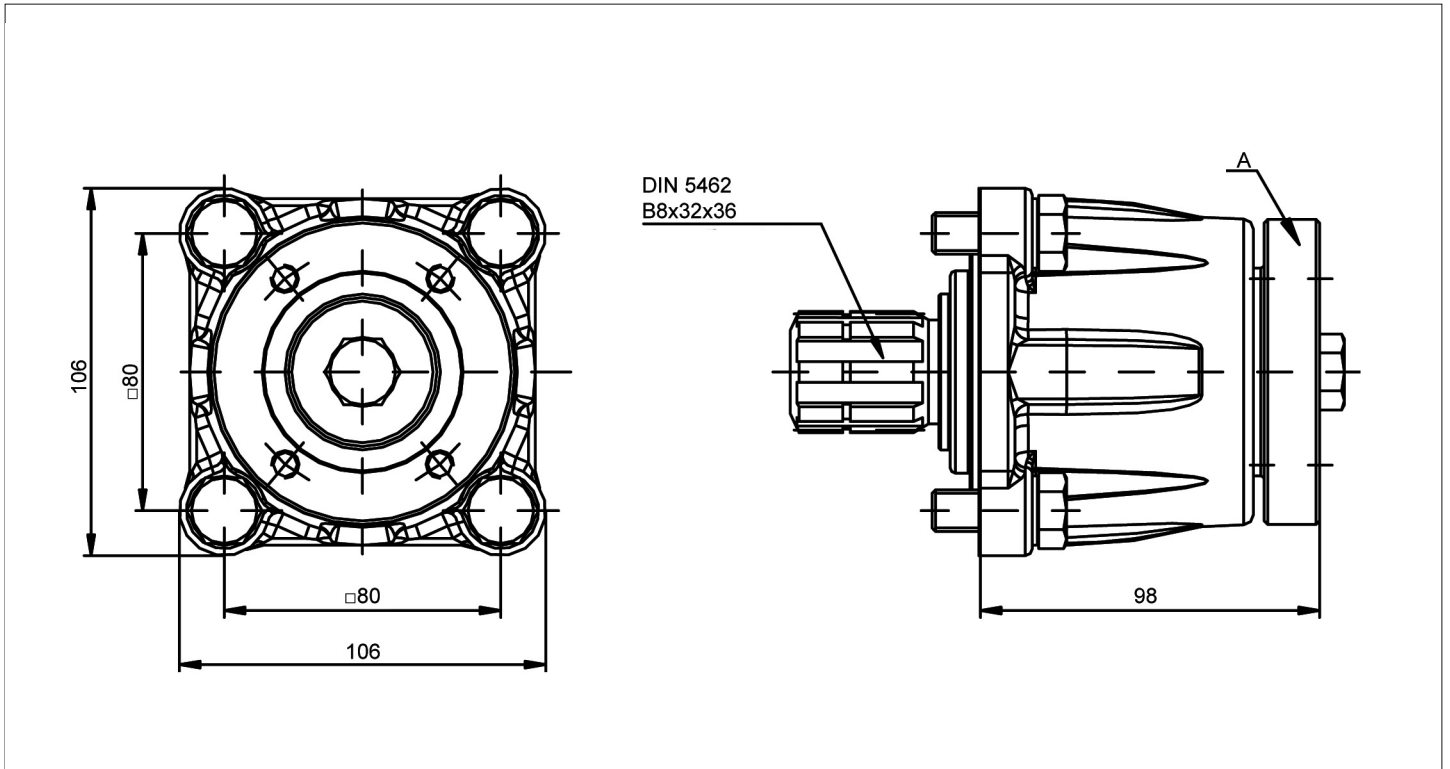
# Kit Adaptador Kit Adapter

código code

**VARIOS**

Adaptador de plato con 2 apoyos  
Output flange adapter with two bearing supports

Adaptador  
Adapter



## Notas Notes

A	Plato de transmisión	A	Flange drive
---	----------------------	---	--------------

## Tipos de Salida Output Types

	SAE			DIN 100																									
	A8x32x36 DIN 5462			A8x32x36 DIN 5462																									
	<table border="1"> <thead> <tr> <th>SAE</th> <th>1100</th> <th>1300</th> <th>1400</th> </tr> </thead> <tbody> <tr> <td>A</td> <td>88</td> <td>97</td> <td>116</td> </tr> <tr> <td>B</td> <td>69.9</td> <td>79.4</td> <td>95.25</td> </tr> <tr> <td>C</td> <td>57.2</td> <td>60.2</td> <td>69.85</td> </tr> <tr> <td>D</td> <td>5/16" UNC</td> <td>3/8" UNC</td> <td>7/16" UNC</td> </tr> <tr> <td>α</td> <td>50°</td> <td>50°</td> <td>50°</td> </tr> </tbody> </table>	SAE	1100	1300	1400	A	88	97	116	B	69.9	79.4	95.25	C	57.2	60.2	69.85	D	5/16" UNC	3/8" UNC	7/16" UNC	α	50°	50°	50°				
SAE	1100	1300	1400																										
A	88	97	116																										
B	69.9	79.4	95.25																										
C	57.2	60.2	69.85																										
D	5/16" UNC	3/8" UNC	7/16" UNC																										
α	50°	50°	50°																										