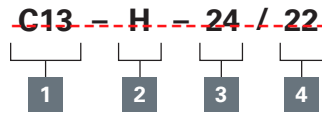


# C13 and C16 coil

## C16-H-12/19

### Model code



#### 1 Coil Series

**C13** - 13 mm tube  
**C16** - 16 mm tube

#### 2 Connection

**H** - DIN43650 ISO Standard  
**F** - Flying Leads  
 (12 and 24 VDC only)  
**DM** - Deutsch male,  
 DT04-2P, integrated  
 (12 & 24 VDC only)

#### 3 Voltage

<b>12</b>	<b>12 VDC</b>
<b>24</b>	24 VDC
<b>110</b>	110 VRAC
<b>220</b>	220 VRAC*

\*220 to 240 VAC

All AC coils must be used with a rectifying connector:  
 (AXP9997- 115 or AXP9997-230)  
 (Other voltages available on request)

#### 4 Power Rating

**C13** -  
**14** = 14 Watt  
**22** = 22 Watt  
**27** = 27 Watt  
**C16** -  
**19** = 19 Watt  
**29** = 29 Watt

### Specifications

#### Ratings and Specifications

Duty Rating	Continuous for 100% of nominal voltage of +/-10 %
Operating temperature	-30°C to 155°C
Power Rating	C13: 14 Watt, 22 Watt, 27Watt C16: 19 Watt, 29 Watt
Encapsulant	Black Polybutylene Reinforced & Black Polyarylamide Reinforced

### Environmental protection

Connector	Ip54	Ip65	Ip67	Ip69k
F: Wire Leads	X			
H: DIN43650	X	X		
DM: Deutsch	X	X	X	X

#### ⚠ Caution

Coils may be hot to touch if used in continuous duty applications.

### C13 Series coils part numbers - 400AA00\_\_\_\_\_ (Complete part number is 11 Digits)

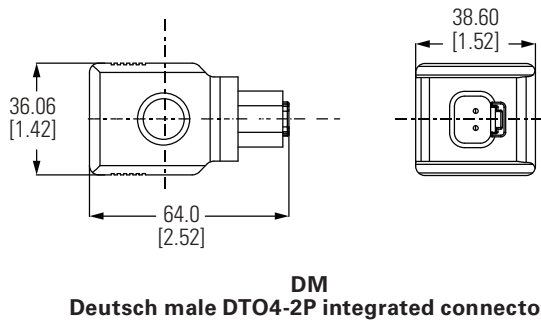
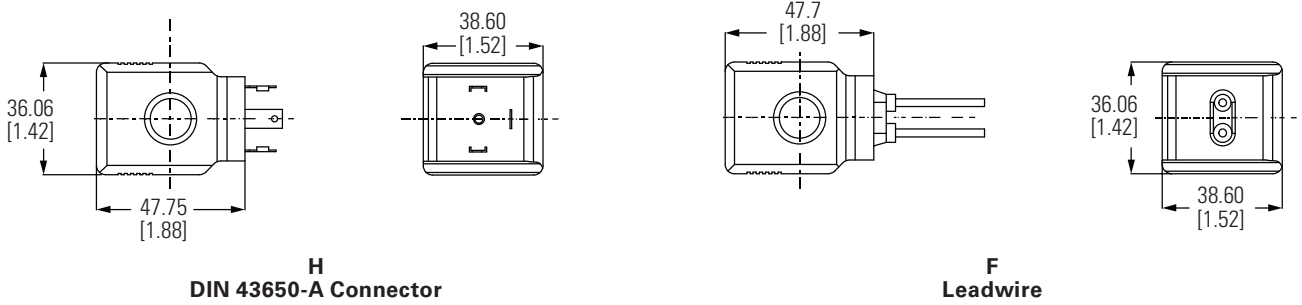
Voltage	H			F			DM		
	14 Watt	22 Watt	27 Watt	14 Watt	22 Watt	27 Watt	14 Watt	22 Watt	27 Watt
12	230A	002A	028A	230A	026A	028A	-	249A	-
14	008A	029A	044A	036A	037A	-	-	-	-
110	027A	038A	211A	-	-	-	-	-	-
220	041A	042A	212A	-	-	-	-	-	-

### C16 Series coils part numbers - 400AA00\_\_\_\_\_ (Complete part number is 11 Digits)

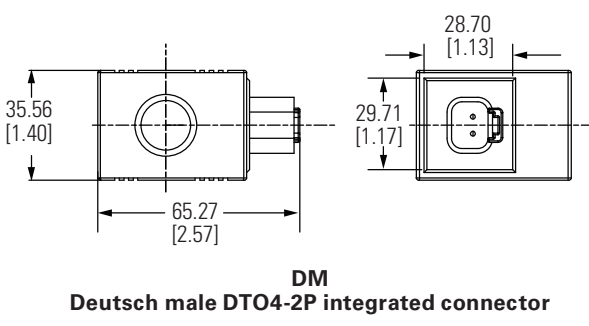
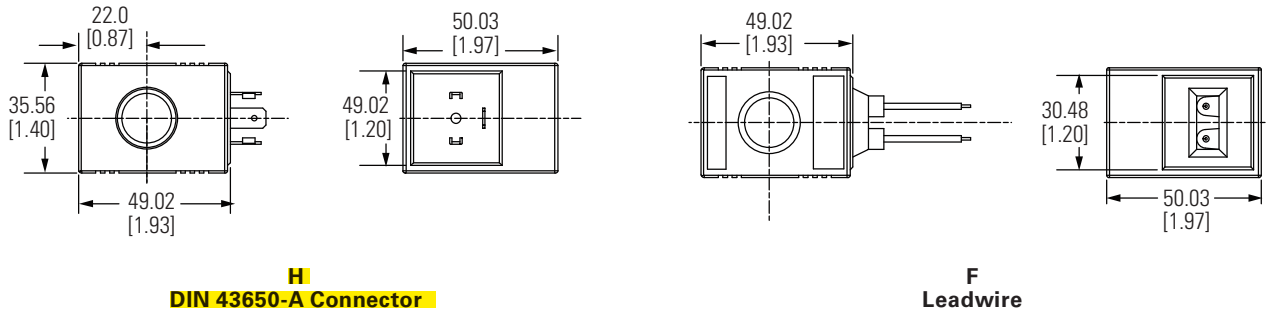
Voltage	H		F		DM	
	19 Watt	29 Watt	19 Watt	29 Watt	19 Watt	29 Watt
<b>12</b>	<b>003A</b>	005A	007A	052A	-	-
14	004A	006A	053A	270A	-	-
110	054A	055A	-	-	-	-
220	057A	213A	-	-	-	-

Where measurements are critical request certified drawings. We reserve the right to change specifications without notice.

**C13 Coils**



**C16 Coils**



Where measurements are critical request certified drawings. We reserve the right to change specifications without notice.

# EPV coils

### Control and specifications

Rheostat	12 VDC operation 10-12 V, 20-25 watts 24 VDC operation 25-30 V, 20-25 watts
Power plug options	EHH-AMP-702, EPAD-SA-1A6-10 (Require 24 VDC power supply to power plug and 12 VDC coil)
Amplifier card	EEA-PAM-523 (Requires 24 VDC power supply and either 12VDC or 24 VDC coil)
Joystick suppliers	OEM Controls, Inc, Shelton, CT P-Q Controls, Inc, Bristol, CT

Std. voltages	Amperes*	Lead color	Power rating
12 DC	1.32	red	16 W
24 DC	.66	black	16 W

\*Nominal voltage @ 25°C (77°F).

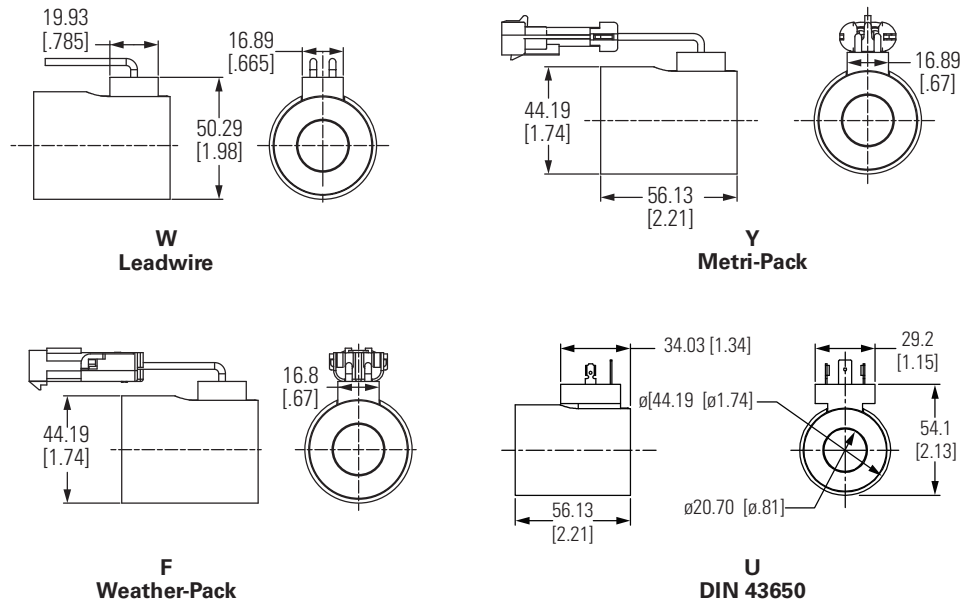
### Coil part numbers

Voltage	F Connector	U* Connector	W Connector	Y Connector
12VDC	02-308810	02-154070	02-154072	02-308808
24VDC	02-308811	02-154071	02-154073	02-308809

\*DIN 43650 mating connector for "U" style coil – 02-166796.

### Coil configurations

**⚠ Caution**  
Coils may be hot to touch if used in continuous duty applications.



Where measurements are critical request certified drawings. We reserve the right to change specifications without notice.