



Overview

Description

Magnet wire wound on a molded 30% glass filled bobbin framed in steel and encapsulated with 30% glass filled polyester resin. Coil impregnated with anerobic sealant.

Ratings

Properties

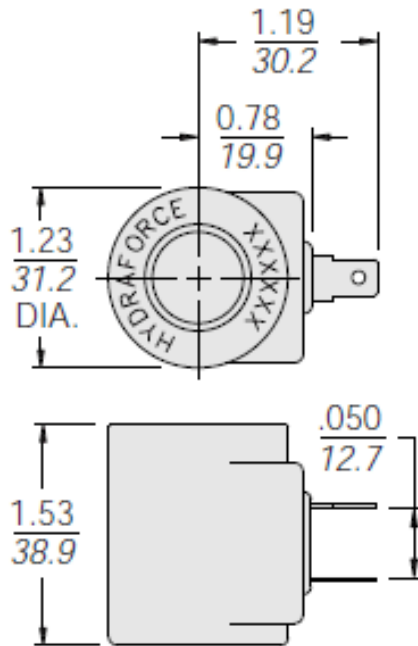
Magnet wire	U.S. class H 180 °C (356 °F) minimum rating
Mating connector	DELPHI/PACKARD number 12010973 - Note: Weather-Pack 2 terminal male, lead wires 18 AWG

Electrical Parameters

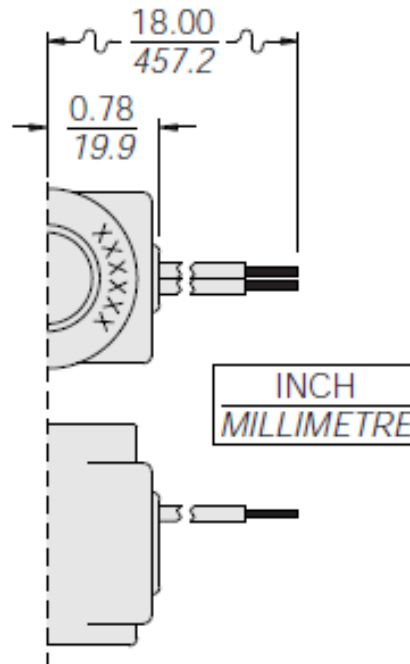
Coil resistance at 20 °C (68 °F)	5.4 ohm - Note: 12 Vdc coil 21.7 ohm - Note: 24 Vdc coil
Maximum control current	1.2 A - Note: 12 Vdc coil 0.60 A - Note: 24 Vdc coil
Coil initial power consumption	7 W - Note: At maximum control current, 12/24 V coil



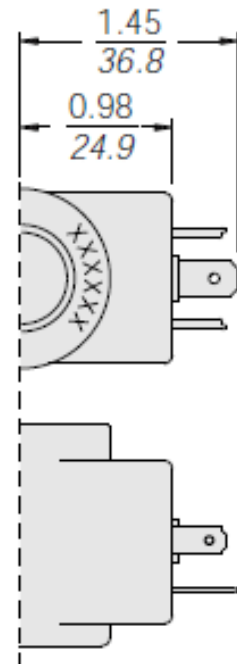
Dimensions



S
Dual Spades
SAE J858a



L
Dual Leads
18 Gauge
Optional 36-inch leads
available. Consult factory.



G
DIN 43650
Connector
Pins 1 and 2 are not
polarity-sensitive.
Ground pin is not used.

Coil Part Numbers

Model code	Part no.	Voltage	Connector	IP rating	Diode
24DS	6451124	24	Dual spade		
24DL	6451224	24	Dual leads/no connector		
12DG	6451612	12	DIN 43650		
24DG	6451624	24	DIN 43650		