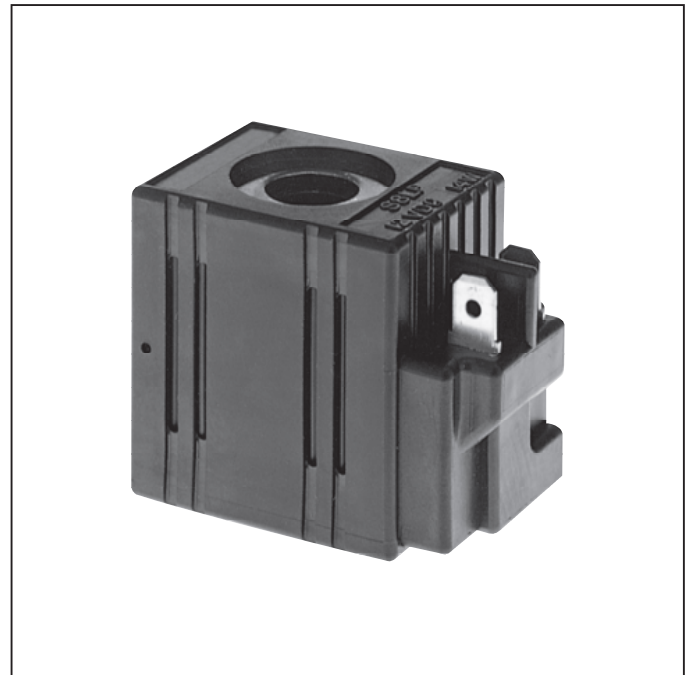


### General Description

Unicoils are used on all DSL\* Unisol 210 Bar (3000 PSI) and DSH\* 345 Bar (5000 PSI) rated valves only. These coils are larger (height and width) than the coils used on DS\* valves operating at 210 Bar (3000 PSI). The coils for DS\*, 210 Bar (3000 PSI) valves are **non-interchangeable**. For specifications and ordering information for coils used on DS\* valves rated to 210 Bar (3000 PSI), see basic specification coil data.

### Features

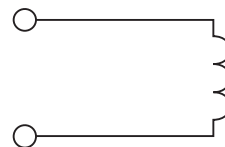
- One piece compact encapsulated design
- Minimal amperage draw
- Numerous terminals and voltages
- Coils made with high quality 200°C Class N magnet wire
- Superior thick internal iron frame surrounding copper windings to increase coil's flux density
- More ampere turns to deliver more magnetic flux per input voltage
- A.C. coil operates @ 50/60 cycle (Hz)



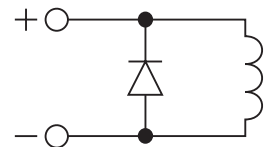
### Specifications

<b>Wattage</b>	14 Watts
<b>Duty Rating</b>	Continuous @ 100% voltage
<b>Wire Class</b>	Class N - 200°C (392°F)
<b>A.C. Rectifier</b>	Integral full wave bridge
<b>Lead Wire</b>	18 gauge 24" long, 600 volt rating
<b>Lead Wire Strain Relief</b>	34 kg (75 lbs.) @ 21°C (70°F) & 18 kg (40 lbs.) @ 93°C (200°F)
<b>Encapsulating Material</b>	Rynite, resistant to moisture, caustic solutions, fungus, and temperatures from -40°C (-40°F) to 200°C (392°F)
<b>Color</b>	Coil - Black Frame - Yellow zinc dichromate

### Symbols



**Standard**  
(Without Diode)



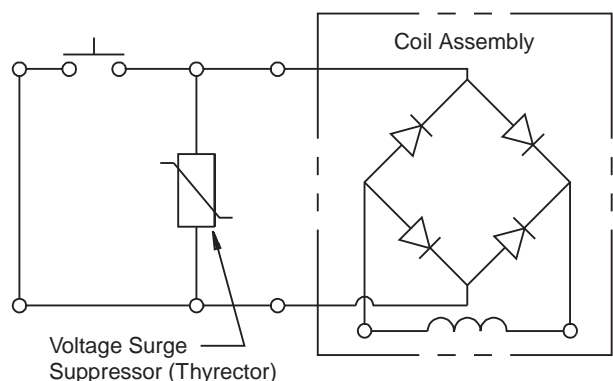
**Optional**  
(With Diode Consult Factory)

### NOTE:

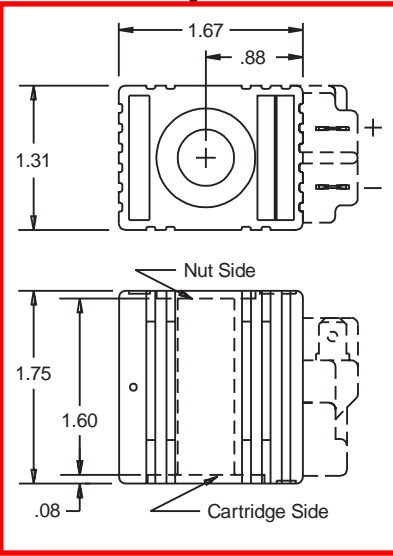
Parker A.C. Coils incorporate integrally molded full wave rectifiers which are rated for reverse voltage peaks of 1000 volts maximum. For voltage transients greater than 1000 volts P.I.V., Harris Thyrector V150LA10A or V150LA20A for 115 VAC and V250LA15A or V250LA40A for 200 VAC is recommended.

### Coil Assembly

No inductive or capacitive loads can be installed between surge suppressor and rectified valves.

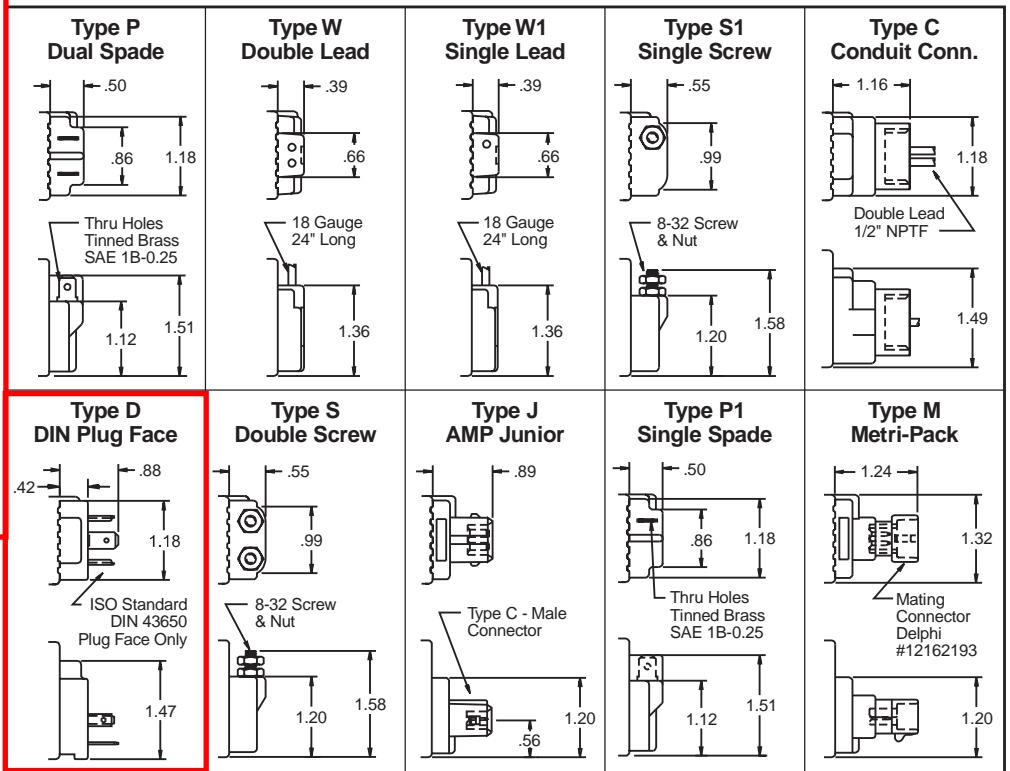


**Terminal Styles and Dimensions**



**NOTES:**

1. Coil to be installed with part number on nut side.
2. Lead wires are 18 gauge, 24" long. Available with different weather pack connectors.
3. For additional terminals, voltages & wattages, consult factory for details.



**Coil Part Numbers**

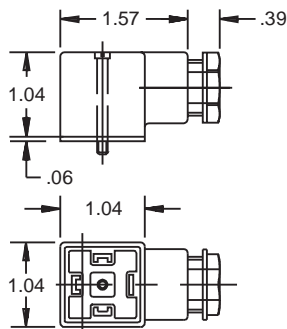
Voltage	Type P Double Spade	Type W Double Wire	Type C Conduit Conn.	Type D DIN Plug Face	Amps*	Ohms	Watts	Lead Wire Color
10 VDC	S8LPD010	S8LWD010	S8LCD010	S8LDD010	1.45	6.9	14.4	Yellow
12 VDC	S8LPD012	S8LWD012	S8LCD012	S8LDD012	1.17	10.2	14.1	Red
24 VDC	S8LPD024	S8LWD024	S8LCD024	S8LDD024	0.57	41.8	13.8	Blue
120 VAC	—	—	S8LCA120	S8LDA120	0.127	832	13.4	Brown
230 VAC	—	—	S8LCA240	S8LDA240	0.07	3032	14.7	White

\*Amperage draw @ 21°C (70°F)

**Coil Accessories For DIN Connector 43650**

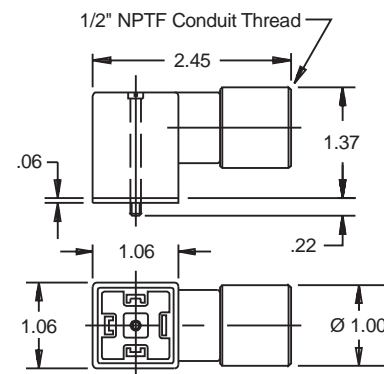
**Cable Gland**

Type	Non-Rectified	Rectified	Color	Cable Dim. Range
PG9	710549-00	712126-01	Black	Ø .240 to .310 in.
PG11	692914	712126-00	Black	Ø .310 to .400 in.
PG11	692915	—	Grey	Ø .310 to .400 in.



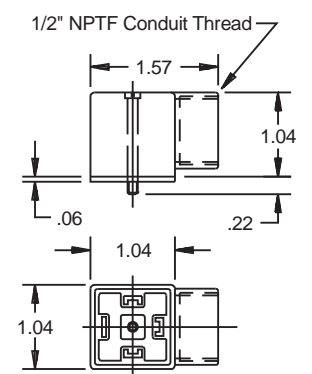
**Conduit**

Rectified	Color
712704-00	Black



**Conduit**

Non-Rectified	Color
710549-02	Black



1-2 uni.pm6.5, bl, gn