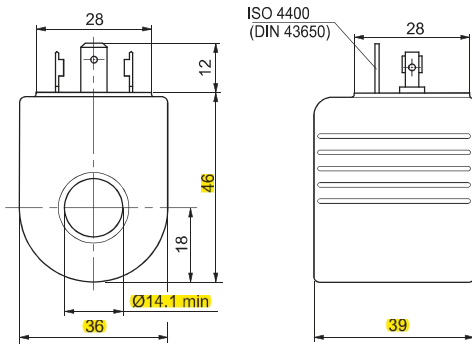


27W COILS - A09

Type of protection	IP 65
Number of cycle	18000/h
Supply tolerance	±10%
Ambient temperature	-30°C ÷ 50°C

Duty cycle	100% ED
Insulation class wire	H
Weight	0.215 kg

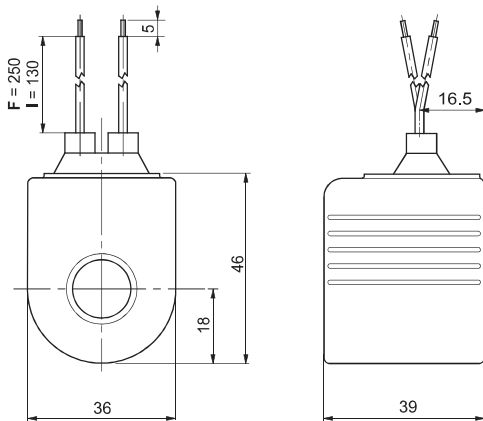


STANDARD Hirschmann ISO 4400 DIN43650 (H connection)

Code	Coil Voltage	Max winding temperature (1)	Rated power	Resistance ±7% (2)	Spare code
L	12 VDC	123 °C	27 W	5.3 Ω	M14310001
M	24 VDC	123 °C	27 W	21.3 Ω	M14310002
N	48 VDC	123 °C	27 W	85.3 Ω	M14310003
Z	102 VDC (3)	123 °C	27 W	392 Ω	M14310008
P	110 VDC (3)	123 °C	27 W	448 Ω	M14310005
X	205 VDC (3)	123 °C	27 W	1577 Ω	M14310009

(1) Ambient temperature 25 °C - (2) Ambient temperature 20 °C

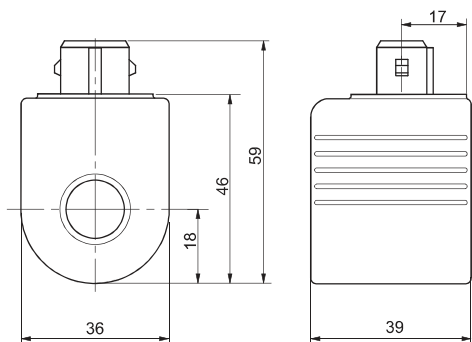
(3) The european low voltage directive is applied to electronical equipments used at a nominal voltages between 50 and 1000 VAC or 75 and 1500 VDC. In conformity with the low directive each part of the manifold or the subplate on which the valve is mounted should be connected to a protective earth with a resistance less than 0.1 ohms.



WIRES and integrated bidirectional DIODE (F/I connection - FL/LD variant)

Codice	Bobina		Wires (mm)	Max winding temperature (1)	Rated power	Resistance ±7% (2)	Spare code
	Tensione						
L	12 VDC	F = 250	F = 250	123 °C	27 W	5.3 Ω	M14070011
M	24 VDC	F = 250	F = 250	123 °C	27 W	21.3 Ω	M14070012
L	12 VDC	I = 130	I = 130	123 °C	27 W	5.3 Ω	M14330001
M	24 VDC	I = 130	I = 130	123 °C	27 W	21.3 Ω	M14330002

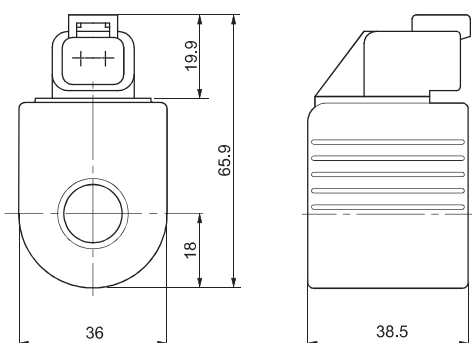
(1) Ambient temperature 25 °C - (2) Ambient temperature 20 °C



AMP Junior (A connection - AJ variant)

Code	Coil Voltage	Max winding temperature (1)	Rated power	Resistance ±7% (2)	Spare code
L	12 VDC	123 °C	27 W	5.3 Ω	M14320001
M	24 VDC	123 °C	27 W	21.3 Ω	M14320002

(1) Ambient temperature 25 °C - (2) Ambient temperature 20 °C



DEUTSCH + bidirectional DIODE - DT04-2P (D connection - CX variant)

Code	Coil Voltage	Max winding temperature (1)	Rated power	Resistance ±7% (2)	Spare code
L	12 VDC	123 °C	27 W	5.3 Ω	M14340001
M	24 VDC	123 °C	27 W	21.3 Ω	M14340002

(1) Ambient temperature 25 °C - (2) Ambient temperature 20 °C