

Technical information

Z coil

Coil manufactured from **class H** copper wire, moulded in thermoplastic:

- (polyester) with 30% glass fiber (**type ZB**);
- (polyphenylene) with 40% glass fiber (**type ZH**).

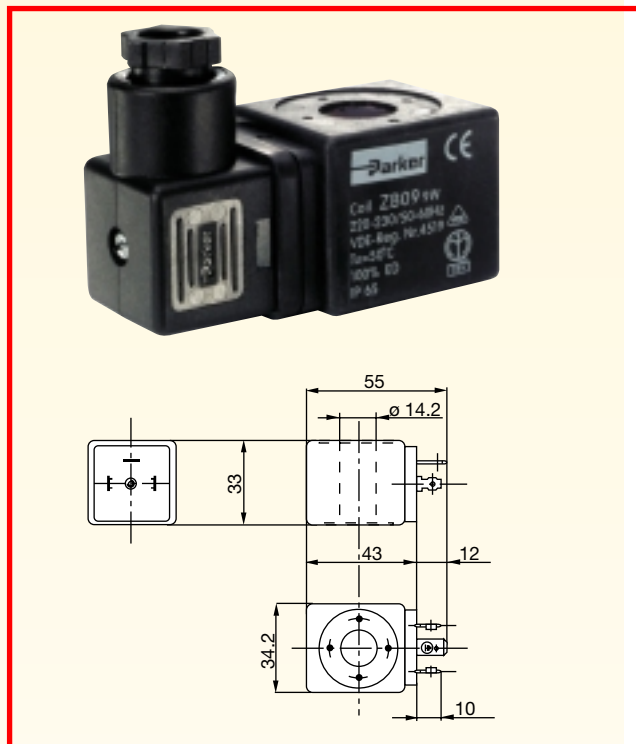
Features:

Protection	DIN 40050 = IP 65 with connector
Connector	DIN 43650 A - PG 9 or PG 11
Frequency	50/60 Hz

Types available:

* **IMQ, VDE, UL** approved for standard voltages
See table page 33.

- Class F (155°C)
 - ZB09 = 16 VA - 9 W a.c. Service (25 VA - Inrush)
 - **ZB12 = 12 W d.c.**
 - ZB14 = 25 VA - 14 W a.c. Service (33 VA - Inrush)
 - ZB16 = 16 W d.c.
- Class H (180°C)
 - ZH14 = 25 VA - 14 W a.c. - Service (33 VA - Inrush)
 - ZH16 = 16 W d.c.
 - ZH09 = 16 VA - 9 W a.c. - Service (25 VA - Inrush)
 - ZH12 = 12 W d.c.



Y coil

Coil manufactured from **class H** copper wire, moulded in thermoplastic:

- (polyester) with 30% glass fiber;

Features

Protection	DIN 40050 = IP 67
Electrical connection	two 1000 mm cables
Frequency	50/60 Hz

Types available:

* **IMQ, VDE, UL** approved for standard voltages
See table page 33.

- Class F (155°C)
 - YB09 = 15 VA - 9 W a.c. Service (24 VA - Inrush)
 - YB12 = 12 W d.c.
 - YB14 = 24 VA - 14 W a.c. Service (32 VA - Inrush)
 - YB16 = 16 W d.c.
- Class E (120°C)
 - YE09 = 15 VA - 9 W a.c.

Note: recommended for applications where humidity is particularly severe and where ice formation or defrosting may occur.

