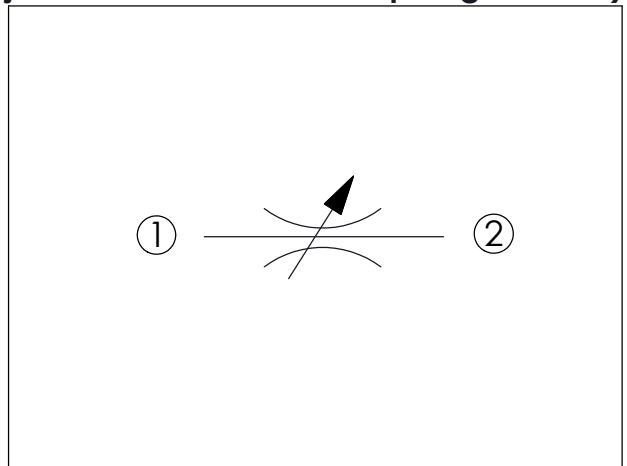
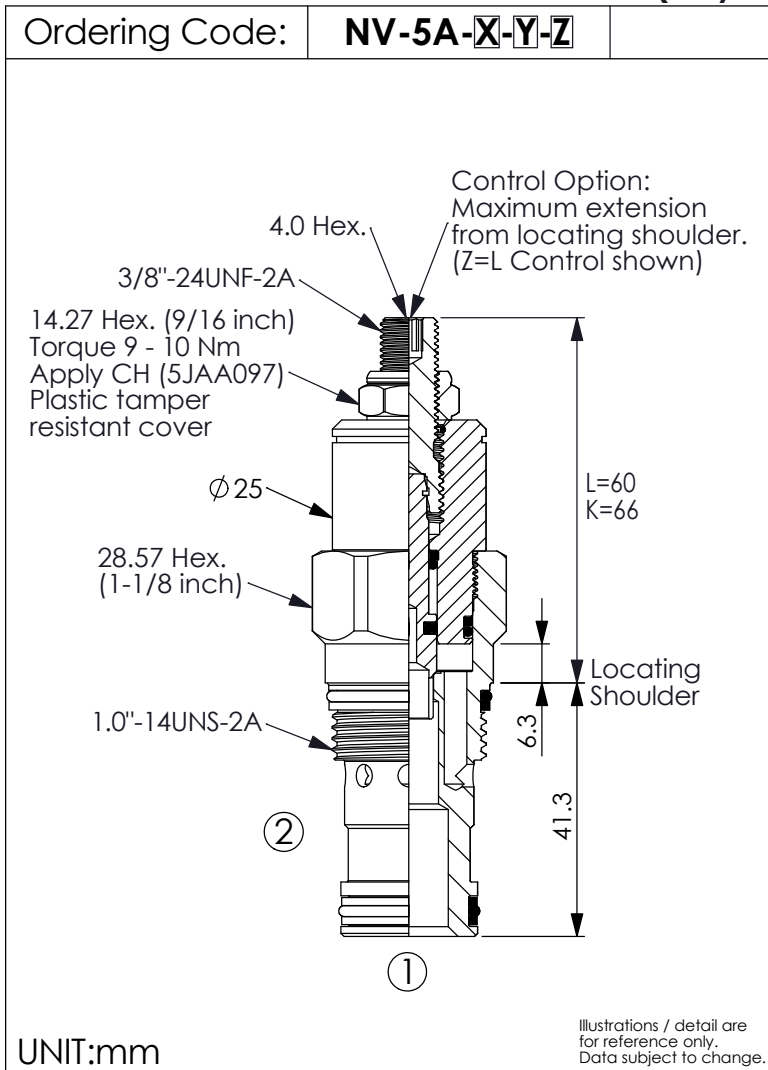
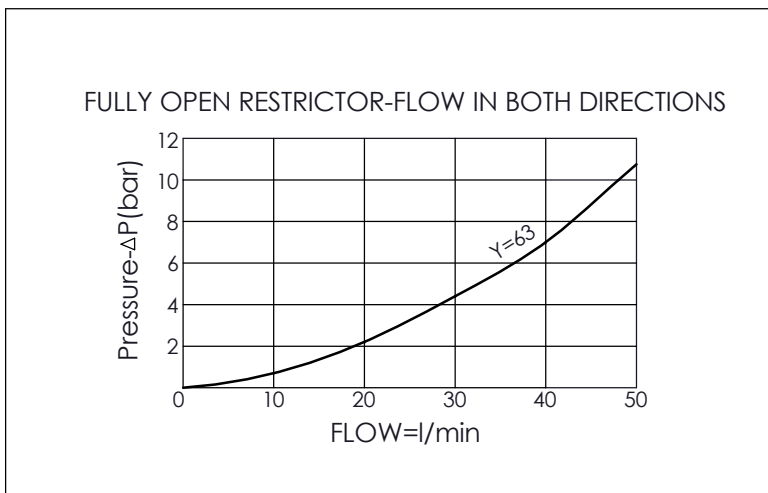


FLOW CONTROL VALVE (Fully Adjustable Needle with Sharp-Edge Orifice)


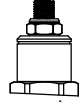
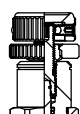


TECHNICAL DATA	
Max. operating pressure:	350 bar (Refer To Performance Chart)
Rated Flow:	50 l/min (Refer To Performance Chart)
Cavity-Tooling:	5A-2
Installation torque:	60 - 70 Nm
Weight:	0.26 (Z=L) kg



Y	MAXIMUM NOMINAL ORIFICE DIAMETER
63	Ø 6.3 mm
33	Ø 3.3 mm

X	OPERATION
20	Fully Adjustable Needle with Sharp-Edge Orifice

Z	OPTIONS
L	Leakproof hex. socket screw. 
LP	Leakproof hex. socket screw. With stainless steel external metal components 
K	Handknob with Lock Knob. (Order Code: 6ZAK001) 
T	Three-winged Handknob Kit. 