

General Description

Series C5V direct operated check valves provide free flow in one direction and block the flow in the counter direction.

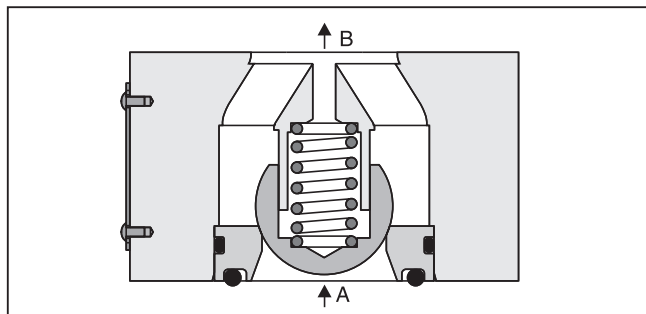
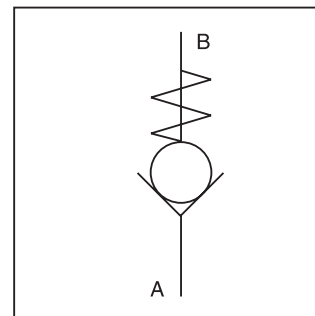
The SAE flanges allow to mount the C5V directly on the pressure port of pumps for protection against pressure shocks from the system.

Operation

The ball is held on its seat by a spring under zero pressure condition. When flow is increased to the cracking pressure, free flow is allowed from port A to port B. Blocked flow is created when operating pressure and spring on Port B exceed pressure on port A.

Features

- Direct operated check valve
- SAE 61 and SAE 62 flanges
- 4 sizes (SAE 3/4", 1", 1 1/4", 1 1/2")
- 3 springs
- 2 different seal configurations



Ordering Information

C5V Direct Operated Check Valve	<input type="checkbox"/>	<input type="checkbox"/>	<input type="checkbox"/>	<input type="checkbox"/>	<input type="checkbox"/>	<input type="checkbox"/>	<input type="checkbox"/>																
	Size	Flange	Body Sealing	Cracking Pressure	Design Series	Seal	Options																
	<table border="1"> <thead> <tr><th>Code</th><th>Description</th></tr> </thead> <tbody> <tr><td>06</td><td>SAE 3/4"</td></tr> <tr><td>08</td><td>SAE 1"</td></tr> <tr><td>10</td><td>SAE 1 1/4"</td></tr> <tr><td>12</td><td>SAE 1 1/2"</td></tr> </tbody> </table>	Code	Description	06	SAE 3/4"	08	SAE 1"	10	SAE 1 1/4"	12	SAE 1 1/2"						<table border="1"> <thead> <tr><th>Code</th><th>Description</th></tr> </thead> <tbody> <tr><td>Omit</td><td>Standard</td></tr> <tr><td>019*</td><td>C5V10 for M14 Mounting Screws</td></tr> </tbody> </table> <p>* For SAE 62 only.</p>	Code	Description	Omit	Standard	019*	C5V10 for M14 Mounting Screws
Code	Description																						
06	SAE 3/4"																						
08	SAE 1"																						
10	SAE 1 1/4"																						
12	SAE 1 1/2"																						
Code	Description																						
Omit	Standard																						
019*	C5V10 for M14 Mounting Screws																						
	<table border="1"> <thead> <tr><th>Code</th><th>Description</th></tr> </thead> <tbody> <tr><td>3</td><td>SAE 61</td></tr> <tr><td>6</td><td>SAE 62</td></tr> </tbody> </table>	Code	Description	3	SAE 61	6	SAE 62					<table border="1"> <thead> <tr><th>Code</th><th>Description</th></tr> </thead> <tbody> <tr><td>1</td><td>Nitrile</td></tr> <tr><td>5</td><td>Fluorocarbon</td></tr> </tbody> </table>	Code	Description	1	Nitrile	5	Fluorocarbon					
Code	Description																						
3	SAE 61																						
6	SAE 62																						
Code	Description																						
1	Nitrile																						
5	Fluorocarbon																						
			<table border="1"> <thead> <tr><th>Code</th><th>Description</th></tr> </thead> <tbody> <tr><td>1</td><td>Sealing for Port A</td></tr> <tr><td>2*</td><td>Sealing for Ports A and X</td></tr> <tr><td>3</td><td>Without Sealing</td></tr> </tbody> </table> <p>* For combination with R5U Unloading Valve (SAE 61 only).</p>	Code	Description	1	Sealing for Port A	2*	Sealing for Ports A and X	3	Without Sealing												
Code	Description																						
1	Sealing for Port A																						
2*	Sealing for Ports A and X																						
3	Without Sealing																						
				<table border="1"> <thead> <tr><th>Code</th><th>Description</th></tr> </thead> <tbody> <tr><td>0</td><td>0.5 Bar (7 PSI)</td></tr> <tr><td>1</td><td>1.0 Bar (15 PSI)</td></tr> <tr><td>2</td><td>2.0 Bar (29 PSI)</td></tr> </tbody> </table>	Code	Description	0	0.5 Bar (7 PSI)	1	1.0 Bar (15 PSI)	2	2.0 Bar (29 PSI)											
Code	Description																						
0	0.5 Bar (7 PSI)																						
1	1.0 Bar (15 PSI)																						
2	2.0 Bar (29 PSI)																						
							<p>Weight:</p> <table border="1"> <tbody> <tr><td>C5V06</td><td>0.6 kg (1.3 lbs.)</td></tr> <tr><td>C5V08</td><td>0.9 kg (2.0 lbs.)</td></tr> <tr><td>C5V10</td><td>1.3 kg (2.9 lbs.)</td></tr> <tr><td>C5V12</td><td>1.8 kg (4.0 lbs.)</td></tr> </tbody> </table>	C5V06	0.6 kg (1.3 lbs.)	C5V08	0.9 kg (2.0 lbs.)	C5V10	1.3 kg (2.9 lbs.)	C5V12	1.8 kg (4.0 lbs.)								
C5V06	0.6 kg (1.3 lbs.)																						
C5V08	0.9 kg (2.0 lbs.)																						
C5V10	1.3 kg (2.9 lbs.)																						
C5V12	1.8 kg (4.0 lbs.)																						

WARNING: This product can expose you to chemicals including Lead, Nickel (Metallic), or 1,3-Butadiene which are known to the State of California to cause cancer, and Lead or 1,3-Butadiene which is known to the State of California to cause birth defects and other reproductive harm. For more information go to www.P65Warnings.ca.gov.

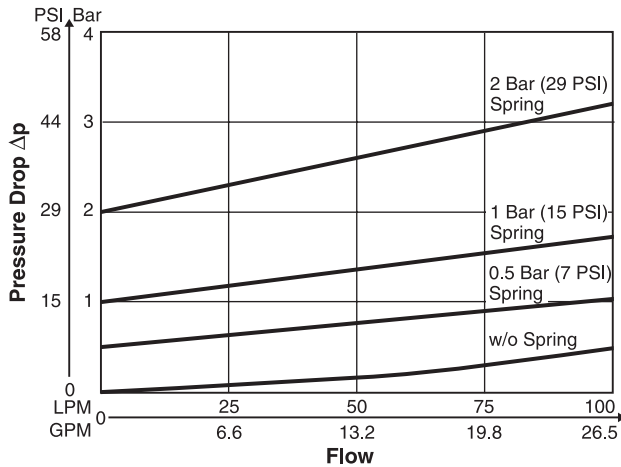


Specifications

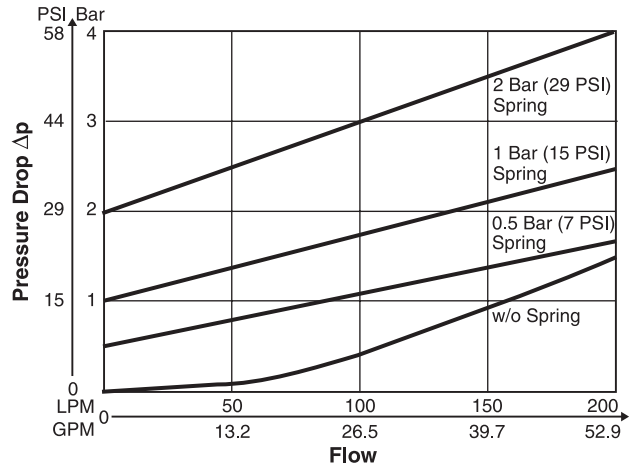
General				
Size	06 (3/4")	08 (1")	10 (1 1/4")	12 (1 1/2")
Mounting	2-port in-line flange SAE 61 and SAE 62			
Mounting Position	Unrestricted			
Ambient Temperature	-20°C to +50°C (-4°F to +122°F)			
Hydraulic				
Maximum Operating Pressure	SAE 61 SAE 62 350 Bar (5075 PSI) 420 Bar (6090 PSI)	350 Bar (5075 PSI) 420 Bar (6090 PSI)	280 Bar (4060 PSI) 420 Bar (6090 PSI)	210 Bar (3045 PSI) 420 Bar (6090 PSI)
Nominal Flow	100 LPM (26.5 GPM)	200 LPM (52.9 GPM)	400 LPM (105.8 GPM)	750 LPM (198.4 GPM)
Fluid	Hydraulic oil in accordance with DIN 51524...51525			
Fluid Temperature	-20°C to +80°C (-4°F to +176°F)			
Viscosity Permitted Recommended	10 to 650 cSt / mm ² /s (46 to 3013 SSU) 30 cSt / mm ² /s (139 SSU)			
Filtration	ISO 4406 (1999) 18/16/13 (acc. NAS 1638:7)			

Performance Curves

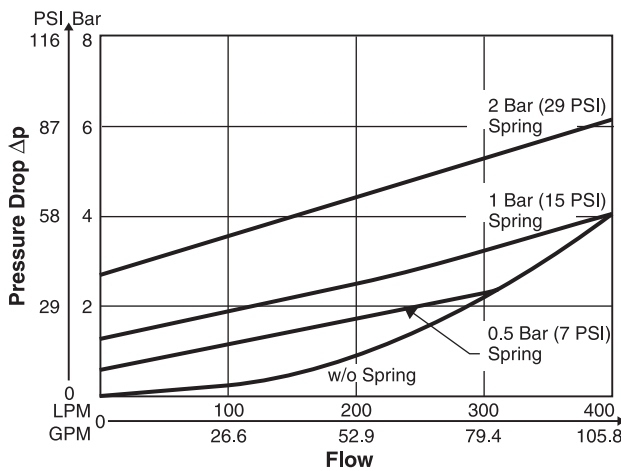
C5V06



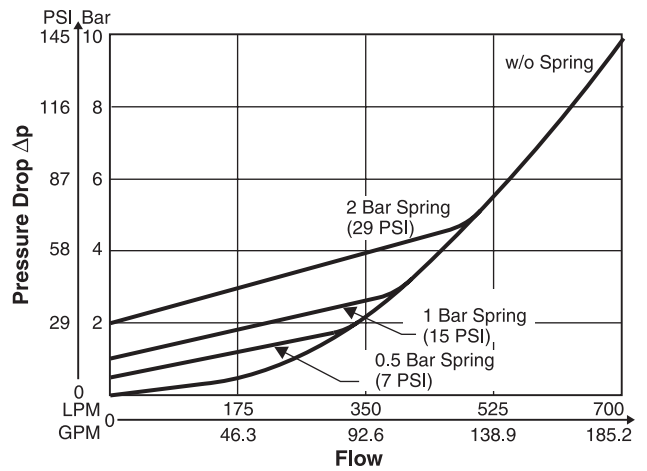
C5V08



C5V10

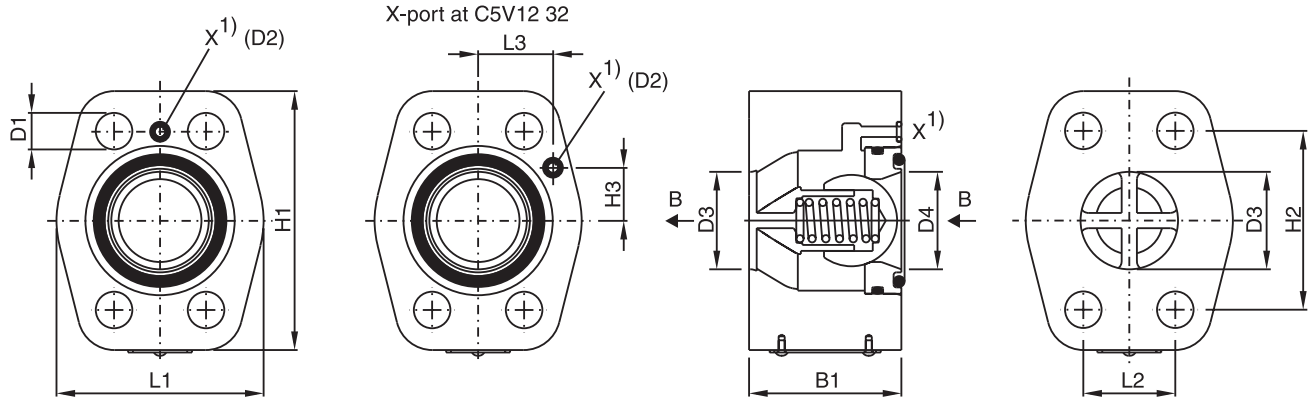


C5V12



Dimensions

Inch equivalents for millimeter dimensions are shown in (**)



Position of O-ring seal according to ordering information

1) X1 port for C5V*32* (for use with Unloading Valve R5U)

Series	Nominal Size		L1	L2	L3	H1	H2	H3	B1	D1	D2	D3 + 0.8	D4
C5V06	3/4"	SAE 61	48.0 (1.89)	22.2 (0.87)	27.2 (1.07)	64.0 (2.52)	47.6 (1.87)	22.4 (0.88)	45.0 (1.77)	10.5 (0.41)	Ø3.0 (0.12)	19.0 (0.75)	19.0 (0.75)
		SAE 62	48.0 (1.89)	23.8 (0.94)	27.2 (1.07)	64.0 (2.52)	50.8 (2.00)	22.4 (0.88)	45.0 (1.77)	10.5 (0.41)	-	19.0 (0.75)	19.0 (0.75)
C5V08	1"	SAE 61	60.0 (2.36)	26.2 (1.03)	27.2 (1.07)	74.0 (2.91)	52.4 (2.06)	22.4 (0.88)	45.0 (1.77)	10.5 (0.41)	Ø3.0 (0.12)	25.0 (0.98)	25.0 (0.98)
		SAE 62	60.0 (2.36)	27.8 (1.09)	27.2 (1.07)	74.0 (2.91)	57.2 (2.25)	22.4 (0.88)	45.0 (1.77)	12.5 (0.49)	-	25.0 (0.98)	25.0 (0.98)
C5V10	1 1/4"	SAE 61	68.0 (2.68)	30.2 (1.19)	27.2 (1.07)	85.0 (3.35)	58.7 (2.31)	22.4 (0.88)	50.0 (1.97)	12.5 (0.49)	Ø3.0 (0.12)	32.0 (1.26)	32.0 (1.26)
		SAE 62	68.0 (2.68)	31.8 (1.25)	27.2 (1.07)	85.0 (3.35)	66.7 (2.63)	22.4 (0.88)	50.0 (1.97)	13.5* (0.53)	-	32.0 (1.26)	32.0 (1.26)
C5V12	1 1/2"	SAE 61	80.0 (3.15)	35.7 (1.41)	27.2 (1.07)	104.0 (4.09)	69.8 (2.75)	22.4 (0.88)	50.0 (1.97)	13.5 (0.53)	Ø3.0 (0.12)	42.0 (1.65)	38.0 (1.50)
		SAE 62	80.0 (3.15)	36.5 (1.44)	27.2 (1.07)	104.0 (4.09)	79.4 (3.13)	22.4 (0.88)	50.0 (1.97)	17.0 (0.67)	-	42.0 (1.65)	38.0 (1.50)

* D1 = 15 (0.59) at option code 019 for M14 mounting screws.

Seal Kits		
NG	Nitrile	Fluorocarbon
3	S26-75409-0	S26-75409-5
6	S26-75410-0	S26-75410-5
10	S26-75411-0	S26-75411-5
12	S26-75412-0	S26-75412-5