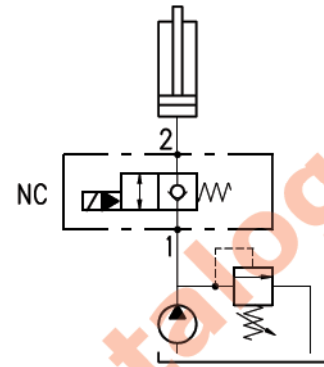
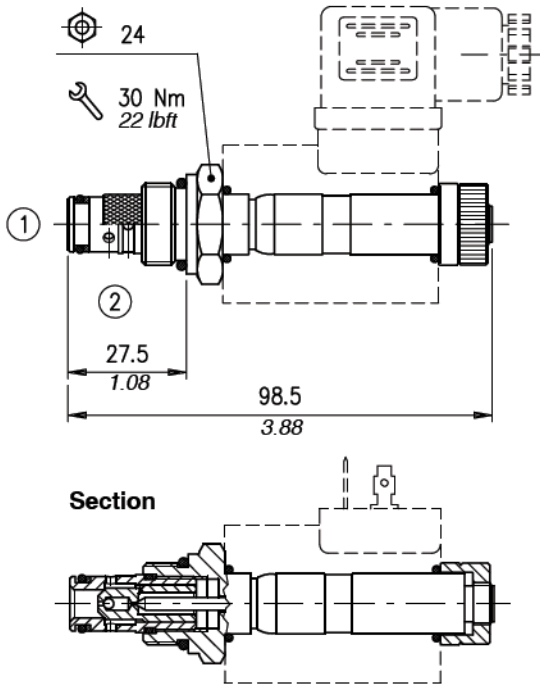
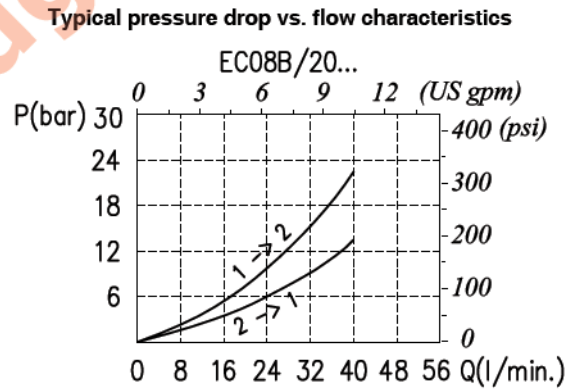
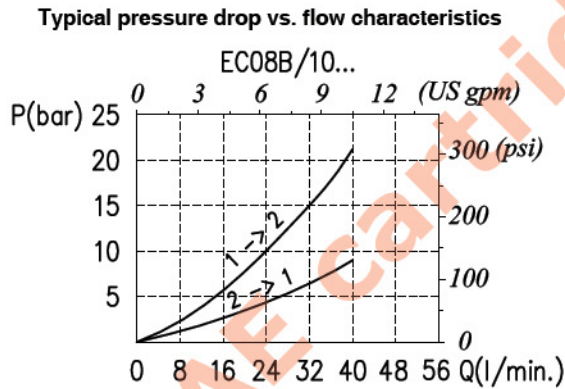


## Dimensions and hydraulic circuit



## Rating diagrams



## Order code

EC 08B / □ -0 -□ -□

Assembly scheme

- 1) NA Normally opened
- 2) NC Normally closed

Manual override option  
(see page 163)

- N) No emergency
- P) Button
- T) Screw

Seals

- B) Buna
- V) Viton