



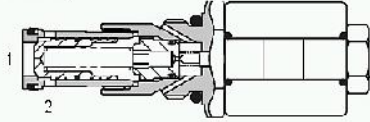
S607 / S608 & S612 / S613 Directional Control Valve

2-Way, 2-Position Poppet/Spool

100 litres/min (26 US GPM) • 250 bar (3600 PSI)

S607

POPPET TYPE
NORMALLY OPEN
(as shown)



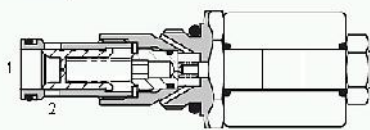
S608

POPPET TYPE
NORMALLY CLOSED



S612

SPOOL TYPE
NORMALLY OPEN
(as shown)



S613

SPOOL TYPE
NORMALLY CLOSED

APPLICATION

To give on-off control of flows up to 100 litres/min (26 US GPM) and pressures up to 250 bar (3600 psi).

COIL INFORMATION

(See Page 11-1021)

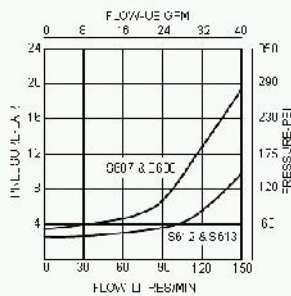
Part Number: C13-7-1/14

Voltage available: 12, 24 VDC
110, 220 VAC¹

¹ AC coils must be used with a rectifying connector.

PRESSURE DROP v's FLOW

Viscosity = 32 cSt (150 SSU)



FEATURES

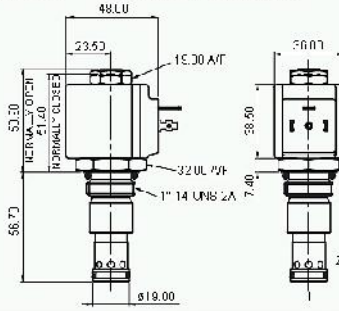
- High flow capacity with reduced space requirements.
- No dynamic seals.
- Standard valve bodies and common cavities.
- One-piece encapsulated coil with minimal amperage draw.
- Oil immersed armature solenoid.
- Various coil terminals and voltages.
- Coil interchangeability with all Series S2 valves.
- Manual override, seal variations and other options available.
- Sealed coil arrangement to protect stem from corrosion.

SPECIFICATIONS

Basic Model Code	S607 Poppet Type (N.O.) S608 Poppet Type (N.C.) S612 Spool Type (N.O.) S613 Spool Type (N.C.)
Symbol	
Max. Working Pressure	250 bar (3600 psi)
Flow Rating	100 litres/min (26 US GPM)
Nominal Flow (at Delta P = 5 bar (70 psi))	90 litres/min (23 US GPM)
Internal Leakage	S607/S608: 0.5 ml/min (10 cpm) S612/S613: Less than 50 ml/min at 0.1 bar differential at 32 centistokes
Temperature Range	-20 to +120°C (-4 to +248°F)
Nominal Viscosity Range	15 to 250 centistokes
Recommended Filtration	BS5510/ 18/13 (25 micron or better)
Fluid	Compatible with most general purpose hydraulic fluids
Seal Material	Standard nitrile with PTFE backup rings
Seal Kit Number	SK300 (Nitrile) SK300V (Viton)
Mounting Position	Unrestricted
Cartridge Weight	0.25 kg (0.55 lbs)
Coil Weight	0.2 kg (0.4 lbs)
Cavity Number	A88 ¹ (See Section 17)
Torque into Cavity	60 Nm (47 lbs ft)
Electrical Data	See coil data sheet
Line Body Material	Aluminum Alloy (up to 210 bar ²)

CARTRIDGE ONLY

BASIC CODE: S607 Poppet Type (N.O.) S612 Spool Type (N.O.)
S608 Poppet Type (N.C.) S613 Spool Type (N.C.)



COMPLETE VALVE 1/2" 3/4" PORTS

BASIC CODE: S607 Poppet Type (N.O.) S612 Spool Type (N.O.)
S608 Poppet Type (N.C.) S613 Spool Type (N.C.)

Body ONLY part numbers

5052 aluminum		5052 aluminum	
1/2"	B4851	1/2"	B194C3
3/4"	B3954	3/4"	B194C4

Body ONLY part numbers

5052 aluminum		5052 aluminum		5052 aluminum		5052 aluminum	
C/C	C1004	3/8"	C1074	1/2"	C1213	3/4"	B10142
1/2"	C1044	1/2"	C1143	3/4"	C1217		
3/4"	C1366	3/4"	C1366				

