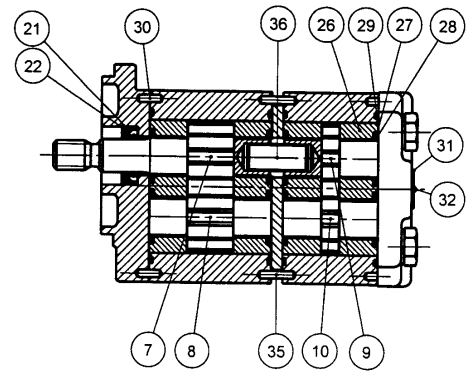
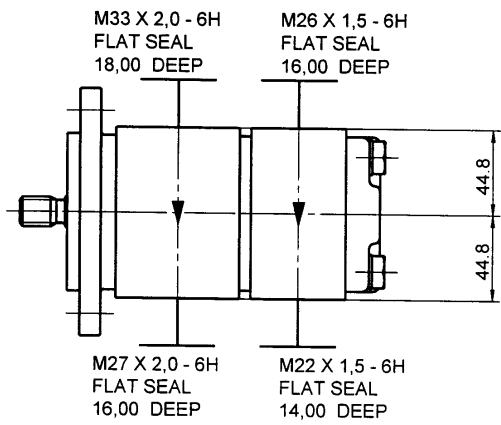


PUMP DATA	FRONT PUMP	REAR PUMP
DISPLACEMENT	16,0 ccm	6,0 ccm
MAX.CONT.PRESSURE	220 bar	220 bar
SPEED RATE	500 min ⁻¹ TO	3500 min ⁻¹
MAX. INPUT SHAFT TORQUE	86 Nm	
ROTATION	CLOCKWISE	

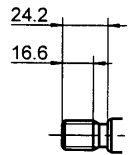
CUSTOMER NO. ON NAMEPLATE
A 409 550 02 83 ZB



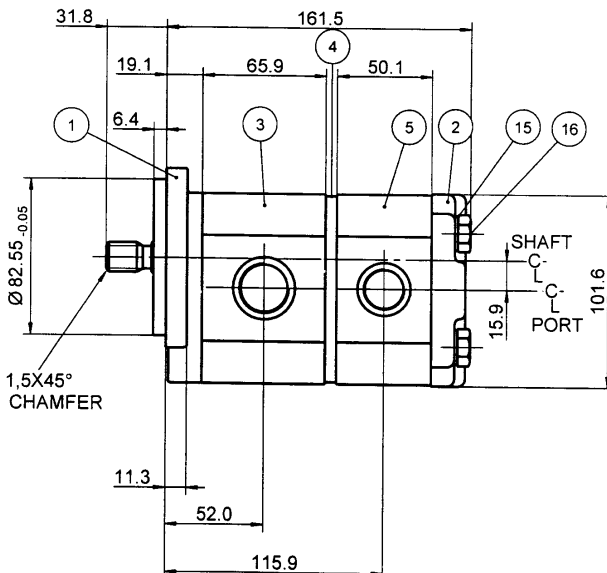
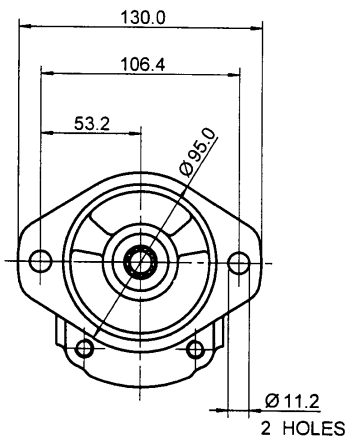
NOTE

FOR ASSEMBLY INSTRUCTIONS SEE DWG. NO. "511-B1"
"PGP511 PUMP ASSEMBLY INSTRUCTIONS".

ITEM	PART NO	REQD	ITEM	PART NO	REQD		
28	8611-015-000	4	SEAL. BK-UP	36	332 1133 001	1	SHAFT_CONN
27	8611-016-00R	4	SEAL. CHAN.	35	391 2080 079	2	PIN, DOWEL
26	8898-207-00U	4	THRBLK/BSHG	34			
25				33			
24				32	391 1432 004	2	SCREW_DR.
23				31	391 2183 227	1	NAMEPLATE
22	9211-323-00B	1	RING, SNAP	30	391 2080 078	2	PIN, DOWEL
21	8301-019-00K	1	SEAL. LIP	29	9313-145-00B	4	SEAL. SECT.



SAE INVOLUTE SPLINE
9 TEETH - 16/32 PITCH
FLAT ROOT SIDE FIT
MAJOR DIA. 15.32 - 15.47
MINOR DIA. 12.281 MAX.



BOM. COMPONENT

ITEM	PART NO	REQ'D	DESCRIPTION
20	SEE ABOVE	1	BOM. COMPONENT
19			
18			
17			
16	391 1401 564	4	FASTENER (150mm)
15	391 3782 231	4	WASHER
14			
13			
12			
11			
10	334 2706 000	1	DRIVEN GEAR
9	334 2606 000	1	DRIVE GEAR
8	334 2716 000	1	DRIVEN GEAR
7	334 1216 200	1	DRIVE GEAR
6			
5	334 8106 612	1	HOUSING. GEAR
4	391 2183 232	1	PLATE, MID
3	334 8116 961	1	HOUSING. GEAR
2	332 3000 100	1	HOUSING. PEC
1	334 5021 202	1	HOUSING. SEC

THIRD ANGLE PROJECTION	
EXP NO.	
FIRST USED	02 - 01 - 930
	334 9121 113
SYM.	REVISIONS

REPLACEMENT FOR 332 9120 066
- P11B193BE**16-96B**06-1

PUMP COMPLETELY TO BE PAINTED
EXCEPT:
MOUNTING FACE
PORTS
SEAL FACES
NAMEPLATE
BLACK - 50µm THICKNESS

COLOUR :

THIS DOCUMENT CONTAINS INFORMATION THAT IS CONFIDENTIAL AND PROPRIETARY TO PARKER HANNIFIN CORPORATION ("PARKER"). THIS DOCUMENT IS FURNISHED ON THE UNDERSTANDING THAT THE DOCUMENT AND INFORMATION WILL BE NOT COPIED OR DISCLOSED TO OTHERS OR USED FOR ANY PURPOSE OTHER THAN CONDUCTING BUSINESS WITH PARKER, AND WILL BE RETURNED AND ALL FURTHER USE DISCONTINUED UPON REQUEST BY PARKER. ALL RIGHTS RESERVED.

PGP511B0160CA1H2NG8G6S-511A0060XG5G4B1B1

MATERIAL	ADM CTR P	DR. BY DATE	CH. BY DATE	SCALE
	REV DTE 000000	PG 24JAN02	WS 24JAN02	1/2
H.E.-STD:	WT 6.9 Kg	DIMENSIONS ARE —MM—		

Parker Hydraulic Controls Division
Sachsenhydraulik GmbH Chemnitz

334 9121 113
© 2002 Parker-Hannifin Corporation