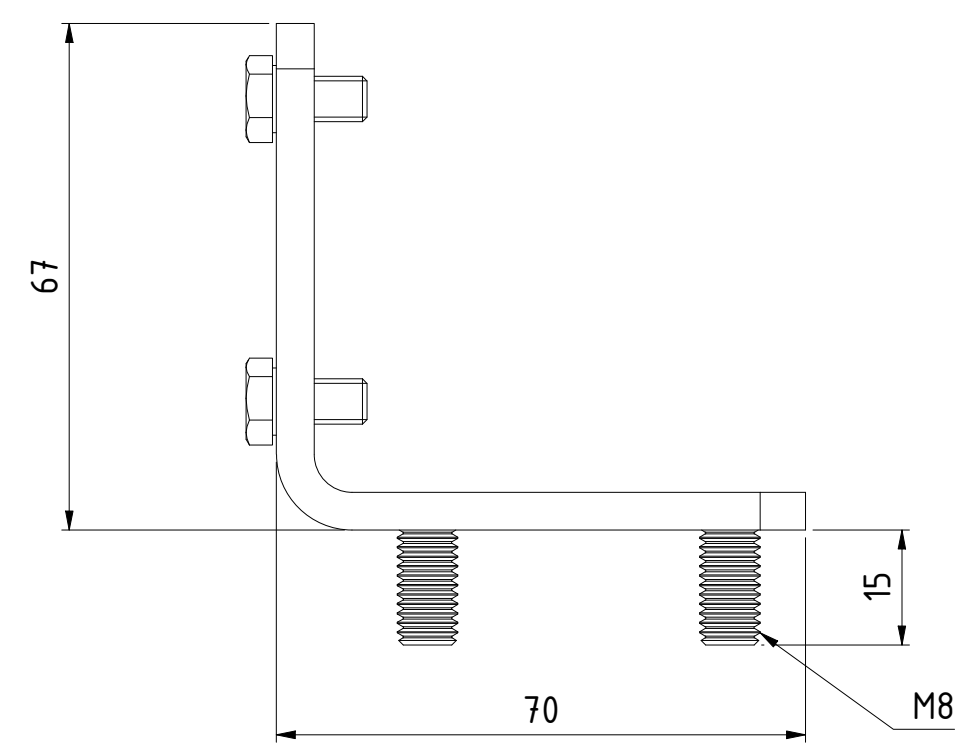
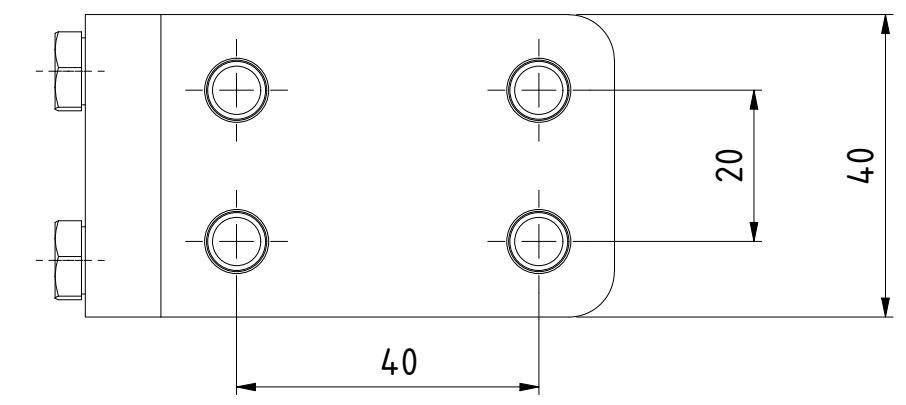
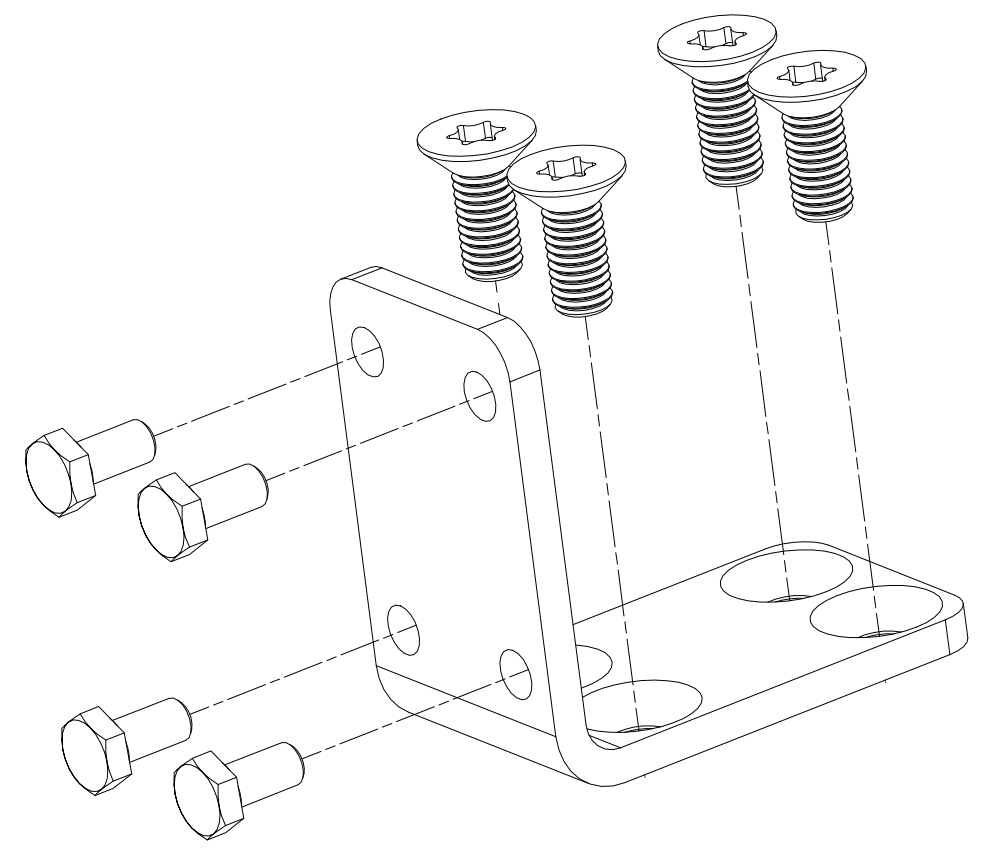



This document must not be copied, either completely or in part, without permission. Any infringement will have legal consequences ©

A3



Product No. 109324959	
Nominal flow \varnothing DN:	mm
Connection Stroke:	mm
Max WP Connected:	bar
Max WP Disconnected:	bar
Min BP Connected:	bar
Min BP Disconnected:	bar
Temperature range:	°C - °C
Connection:	
Sealing material:	
Hexagon:	

Item	Qty	Description	Material	Part Number
3	4	Screw M6S M6x12	8.8 FZB	099320912
2	1	Fixation plate	Steel	099326524
1	4	Screw MFTS M8x20	Steel	099320919

Scale	1 : 1	Drawn	CABJOER	Checked	JOJ	Appr.	PMB	ECO	Date	2020-04-07	
 Assembly Drawing 509324959								Issue	AA	Sheet	1 / (1)