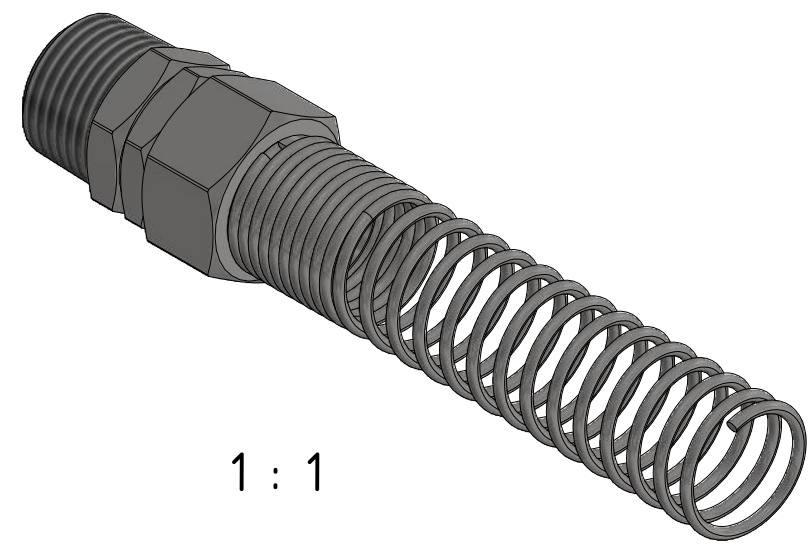
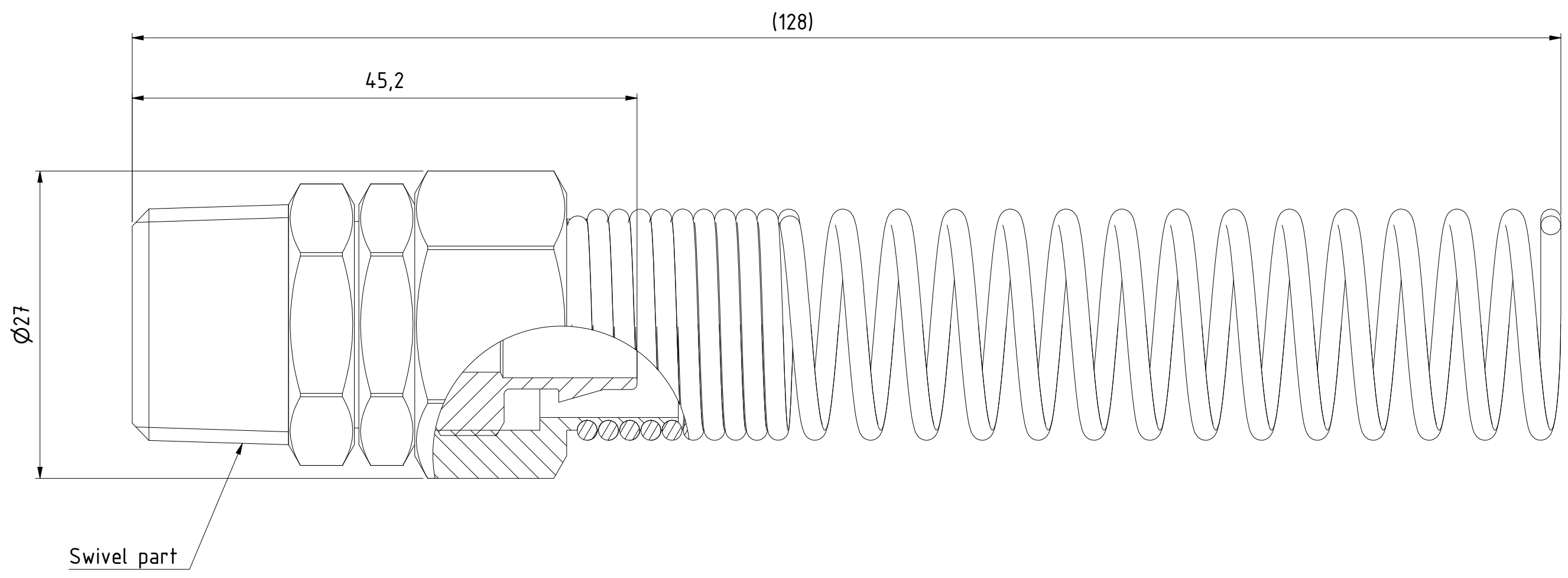



This document must not be copied, either completely or in part, without permission. Any infringement will have legal consequences ©



1 : 1



Product No.	199581686
Nominal flow $\varnothing$ DN:	8,5 mm
Connection Stroke:	mm
Max WP Connected:	12 bar w. CEJN braided PUR hose
Min BP Connected:	48 bar w. CEJN braided PUR hose
Temperature range:	-20°C - +100°C
Connection:	R 1/2" male w. sw. - streamline 11x16 spring protector
Sealing material:	NBR
Hexagon:	22(2x) / 24

2	1	Spring protection nut	Brass, Plated
1	1	Swivel adapter	Brass, Plated
Item	Qty	Description	Material
		Scale: 5 : 2	Drawn: CABANLA
		Checked: LHE	Appr.: JOOL
		ECO	Date: 2020-05-11
			Drawing No. 509581686
<b>Assembly Drawing</b>			Issue: AB
			Sheet: 1 / (1)

A3