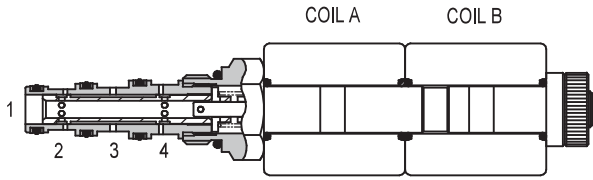




S271 Directional Control Valve - 4-Way, 3-Position Spool

Up to 14 litres/min (3.7 US GPM) • Up to 210 bar (3000 PSI)

S271



FEATURES

- High flow capacity with reduced space requirements.
- No dynamic seals.
- Standard valve bodies and common cavities.
- One-piece encapsulated coil with minimal amperage draw.
- Oil immersed armature solenoid.
- Various coil terminals and voltages.
- Coil interchangeability with all Series S2 valves.
- Manual override, seal variations and other options available.
- Sealed coil arrangement to protect stem from corrosion.

COIL INFORMATION

(See Page 11-1021)

Part Number: C13-*-/22 (two per valve)

Voltage available: 12, 24 VDC
110, 220 VAC*

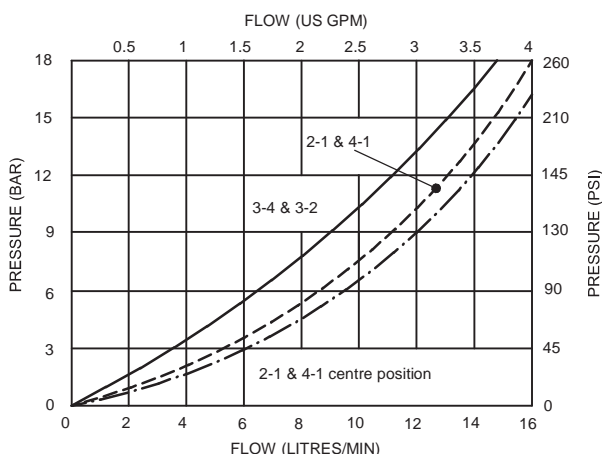
* AC coils must be used with a rectifying connector.

SPECIFICATIONS

Basic Model Code	S271
Symbol	
Max. Working Pressure	210 bar (3000 psi)
Flow Rating	14 litres/min (3.7 US GPM)
Nominal Flow (at Delta P = 5 bar (70 psi))	8 litres/min (2 US GPM)
Internal Leakage	Less than 100 ml/min past each land 210 bar differential at 32 centistokes
Temperature Range	-20 to +120°C (-4 to +248°F)
Nominal Viscosity Range	15 to 250 centistokes
Recommended Filtration	BS5540/4 18/13 (25 micron or better)
Fluid	Compatible with most general purpose hydraulic fluids
Seal Material	Standard nitrile with PTFE back up rings
Seal Kit Number	SK974 (Nitrile) SK974V (Viton)
Mounting Position	Unrestricted
Cartridge Weight	0.16 kg (0.35 lbs)
Coil Weight	0.2 kg (0.4 lbs) - two per valve
Cavity Number	A6951 (See Section 17)
Torque into Cavity	20 Nm (15 lbs ft)
Electrical Data	See coil data sheet
Line Body Material	Aluminium Alloy

PRESSURE DROP v's FLOW

Viscosity = 32 cSt (150 SSU)



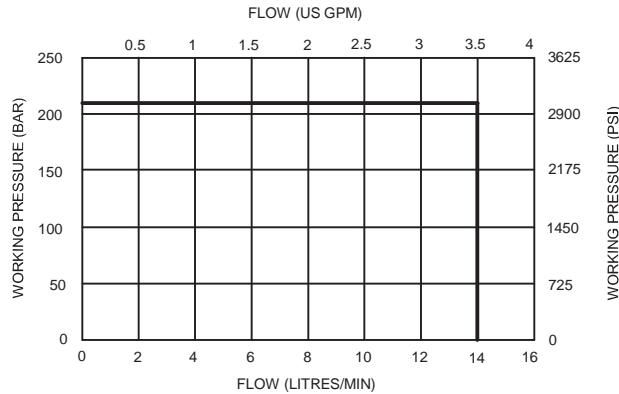
Integrated Hydraulics Ltd

Collins Road, Heathcote Ind. Est., Warwick, CV34 6TF, UK.
Tel: +44 (0) 1926 881171 Fax: +44 (0) 1926 315729
Website: www.integratedhydraulics.com

Integrated Hydraulics Inc

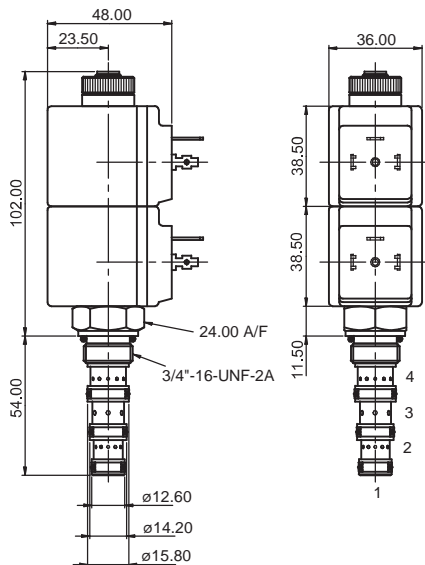
7047 Spinach Drive, Mentor, Ohio 44060, USA
Tel: (440) 974 3171 Fax: (440) 974 3170
Website: www.integratedhydraulics.com

PERFORMANCE



CARTRIDGE ONLY

BASIC CODE: S271



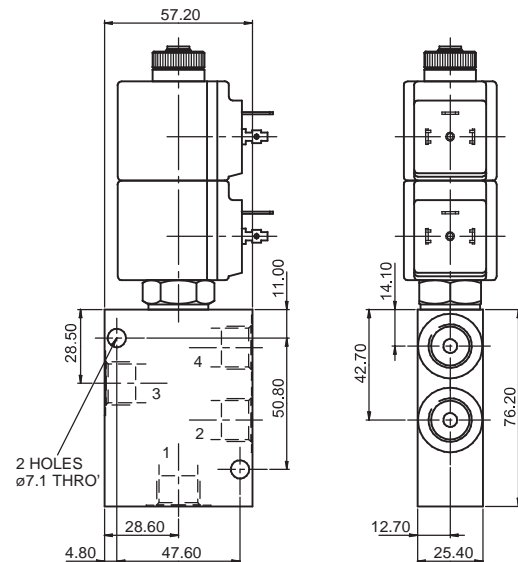
COMPLETE VALVE

1/4" 3/8" PORTS

BASIC CODE: S271

Body ONLY part numbers

BSP, aluminium *SAE, aluminium*
1/4" B13383
3/8" B7498 3/8" B19362



Where measurements are critical request certified drawings

ORDERING CODE EXAMPLE

S271 N H 24 3W

Basic Code
S271

Seals
N = Nitrile
V = Viton

Manual Override (consult factory for availability)
4 = Push/Pull

Port Sizes

2W = 1/4" BSP 6T = 3/8" SAE
3W = 3/8" BSP

Voltage

12 = 12 VDC 110 = 110 VAC
24 = 24 VDC 220 = 220 VAC

Coil Termination

H = DIN43650
F = Flying Leads
DM = Deutsch Moulded
Other terminations available on request

We reserve the right to change specifications without notice