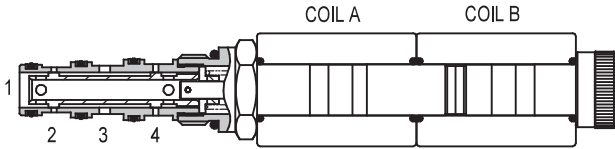




S570 Directional Control Valve - 4-Way, 3-Position Spool

Up to 35 litres/min (9 US GPM) • Up to 210 bar (3000 PSI)

S570



FEATURES

- High flow capacity with reduced space requirements.
- No dynamic seals.
- Standard valve bodies and common cavities.
- One-piece encapsulated coil with minimal amperage draw.
- Oil immersed armature solenoid.
- Various coil terminals and voltages.
- Coil interchangeability with all Series S5 valves.
- Manual override, seal variations and other options available.
- Sealed coil arrangement to protect stem from corrosion.

COIL INFORMATION

(See Page 11-1021)

Part Number: C16-*/19 (two per valve)

Voltage available: 12, 24 VDC
110, 220 VAC*

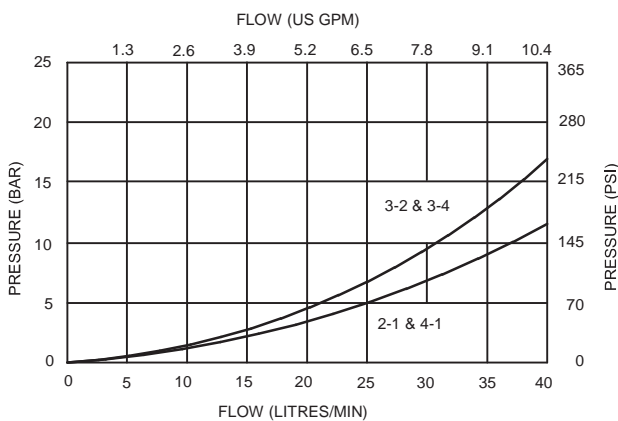
* AC coils must be used with a rectifying connector.

SPECIFICATIONS

Basic Model Code	S570
Symbol	
Max. Working Pressure	210 bar (3000 psi)
Flow Rating	See performance graphs
Nominal flow (at Delta P = 5 bar (70 psi))	22 litres/min (5.8 US GPM)
Internal Leakage	Less than 120 ml/min 210 bar differential at 32 centistokes
Temperature Range	-20 to +120°C (-4 to +248°F)
Nominal Viscosity Range	15 to 250 centistokes
Recommended Filtration	BS5540/4 18/13 (25 micron or better)
Fluid	Compatible with most general purpose hydraulic fluids
Seal Material	Viton with PTFE back up rings
Seal Kit Number	SK1034 (Nitrile) SK1034V (Viton)
Mounting Position	Unrestricted
Cartridge Weight	0.25 kg (0.55 lbs)
Coil Weight	0.3 kg (0.6 lbs) - two per valve
Cavity Number	A12744 (See Section 17)
Torque into Cavity	30 Nm (22 lbs ft)
Electrical Data	See coil data sheet
Line Body Material	Aluminium Alloy

PRESSURE DROP v's FLOW

Viscosity = 32 cSt (150 SSU)



Integrated Hydraulics Ltd

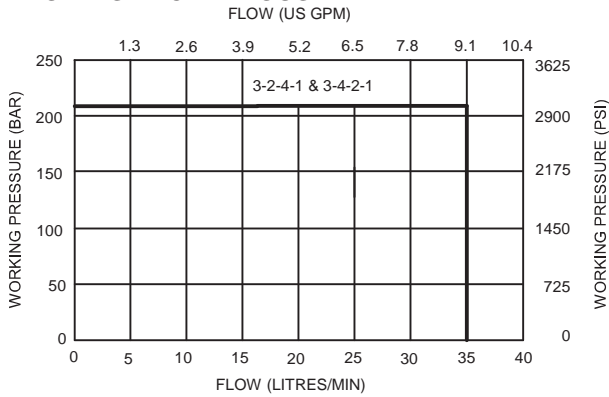
Collins Road, Heathcote Ind. Est., Warwick, CV34 6TF, UK.
Tel: +44 (0) 1926 881171 Fax: +44 (0) 1926 315729
Website: www.integratedhydraulics.com

Integrated Hydraulics Inc

7047 Spinach Drive, Mentor, Ohio 44060, USA
Tel: (440) 974 3171 Fax: (440) 974 3170
Website: www.integratedhydraulics.com

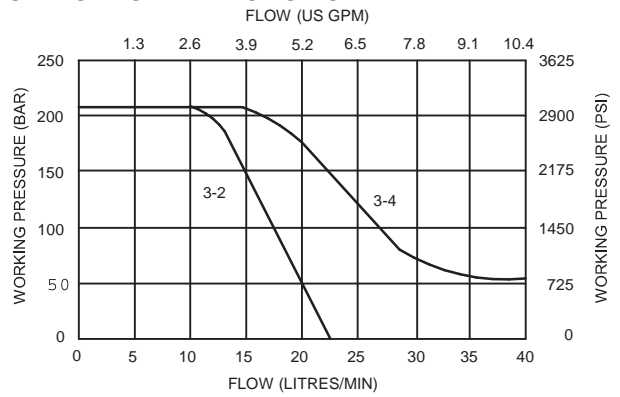
PERFORMANCE

FLOWING BACK THROUGH THE VALVE



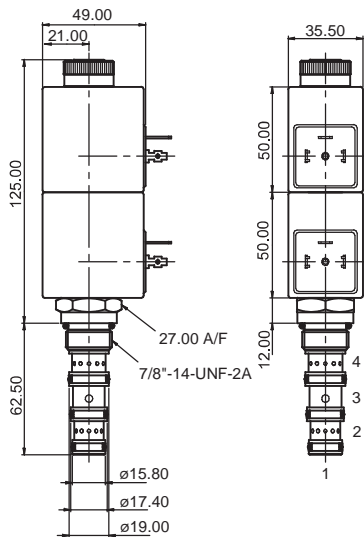
PERFORMANCE

FLOWING IN ONE DIRECTION ONLY



CARTRIDGE ONLY

BASIC CODE: S570



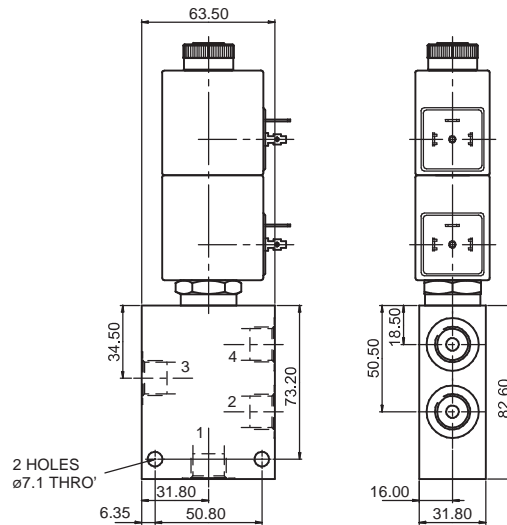
COMPLETE VALVE

3/8" 1/2" PORTS

BASIC CODE: S570

Body ONLY part numbers

BSP, aluminium SAE, aluminium
3/8" B19240 1/2" B19229
1/2" B19228



Where measurements are critical request certified drawings

ORDERING CODE EXAMPLE

S570 N H 24 3W

Basic Code
S570

Seals
N = Nitrile
V = Viton

Manual Override (consult factory for availability)
4 = Push/Pull

Port Sizes

3W = 3/8" BSP 8T = 1/2" SAE
4W = 1/2" BSP

Voltage

12 = 12 VDC 110 = 110 VAC
24 = 24 VDC 220 = 220 VAC

Coil Termination

H = DIN43650
F = Flying Leads
DM = Deutsch Moulded
Other terminations available on request

We reserve the right to change specifications without notice