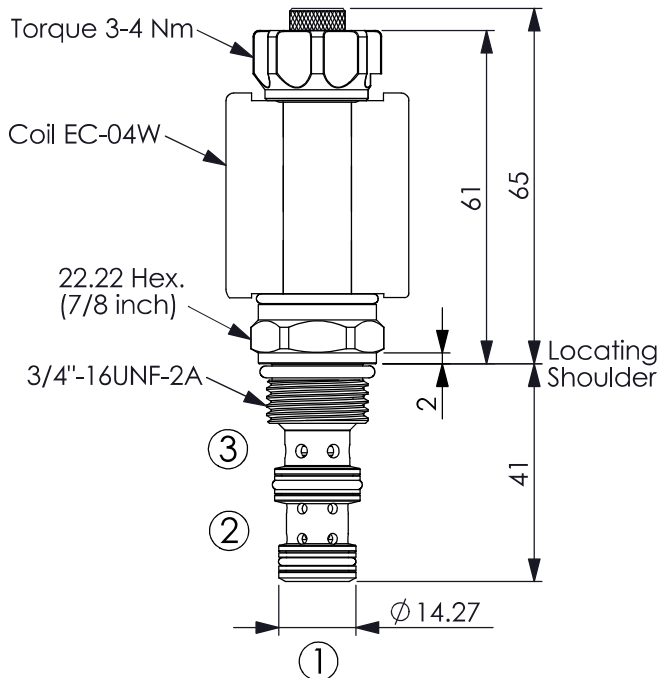


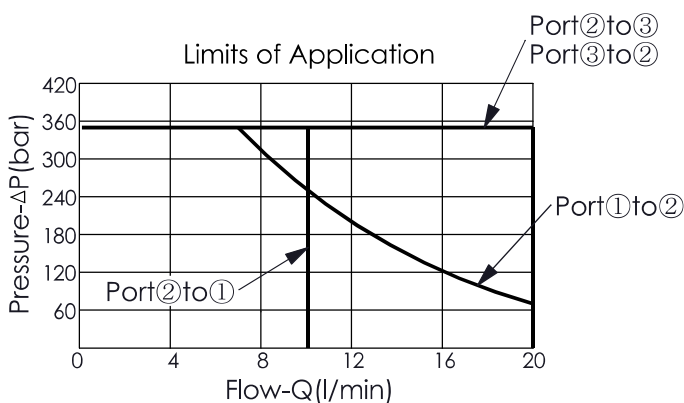
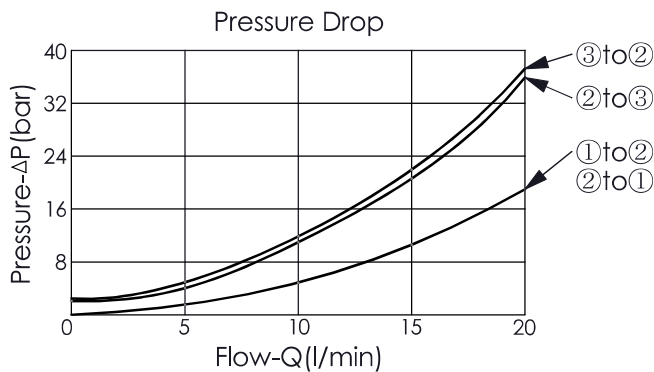
Ordering Code: **ES-08W-X-Y-Z-04**

ES-08W-3A-14-M-04

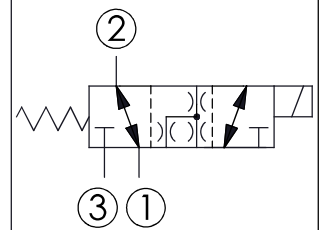
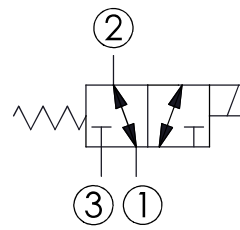


UNIT:mm

Performance Chart



TRANSITION:



TECHNICAL DATA

Max. Operating pressure: 350 bar
(Refer To Performance Chart)

Rated flow: 15 l/min
(Refer To Performance Chart)

Cavity-Tooling: 08W-3

Installation torque: 39-51 Nm

Weight: 0.12 (Z:M) kg

Fluids-Temperatures: -40 to 120 °C

Internal Leakage: 80 cc/minute max. at 210 bar with 46 cSt oil

Response time depending on pressure and flow	ON	30-60 ms
	OFF	20-40 ms

Filtration: 25 μm nominal or better

Minimum Voltage Required:
90 % of nominal

Coils must be ordered separately

Mounting Position: unrestricted

X STRUCTURE

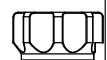
3A 3 Ports · 20 Watt. Coil
∅ 12.7 mm tube

Y OPERATION

14 Spool 3-Way, 2-Position

Z OPTIONS

N Non-adjustable



M Screw-out Knob Style

