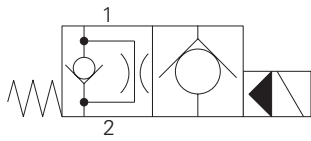
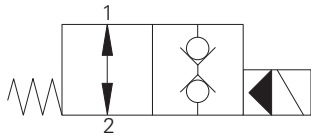


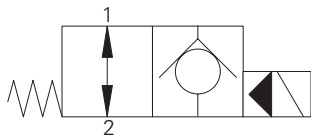
### Functional symbol



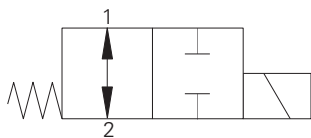
Model	Cavity	Flow rating	Typical pressure	Page
		<b>L/min (USgpm)</b>	<b>bar (psi)</b>	
<i>Solenoid 2/2, NO, poppet</i>				
SV5-8-0	C-8-2	23 (6)	210 (3000)	A-66
SV15-8-0	C-8-2	37 (10)	350 (5000)	A-68
SV5-10-0	C-10-2	45 (12)	210 (3000)	A-76
SV15-10-0	C-10-2	45 (12)	350 (5000)	A-78



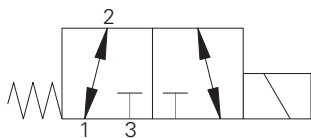
Model	Cavity	Flow rating	Typical pressure	Page
		<b>L/min (USgpm)</b>	<b>bar (psi)</b>	
<i>Solenoid 2/2, NO, bi-directional, poppet</i>				
SBV11-8-0	C-8-2	60 (15)	350 (5000)	A-70
SBV11-10-0	C-10-2	76 (20)	350 (5000)	A-82
SBV11-12-0	C-12-2/2U	114 (30)	350 (5000)	A-88



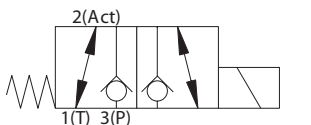
Model	Cavity	Flow rating	Typical pressure	Page
		<b>L/min (USgpm)</b>	<b>bar (psi)</b>	
<i>Solenoid 2/2, NO, poppet</i>				
SV3-8-0	C-8-2	23 (6)	210 (3000)	A-72
<b>SV3-10-0</b>	<b>C-10-2</b>	<b>45 (12)</b>	<b>210 (3000)</b>	<b>A-74</b>
SV13-10-0	C-10-2	45 (12)	350 (5000)	A-80
SV3-12-0	C-12-2/2U	114 (30)	210 (3000)	A-84
SV13-12-0	C-12-2/2U	114 (30)	350 (5000)	A-86
SV3-16-0	C-16-2	132 (35)	210 (3000)	A-90
SV13-16-0	C-16-2	132 (35)	350 (5000)	A-92
SV3-20-0	C-20-2	227 (60)	210 (3000)	A-94
SV13-20-0	C-20-2	227 (60)	350 (5000)	A-96



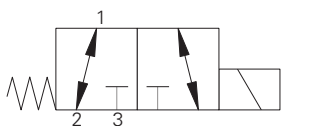
Model	Cavity	Flow rating	Typical pressure	Page
		<b>L/min (USgpm)</b>	<b>bar (psi)</b>	
<i>Solenoid 2/2, NO, spool</i>				
SV4-8-0	C-8-2	13 (4)	210 (3000)	A-98
SV14-8-0	C-8-2	13 (4)	350 (5000)	A-100
SV4-10-0	C-10-2	23 (6)	210 (3000)	A-102
SV14-10-0	C-10-2	23 (6)	350 (5000)	A-104



Model	Cavity	Flow rating	Typical pressure	Page
		<b>L/min (USgpm)</b>	<b>bar (psi)</b>	
<i>Solenoid 3/2, spool</i>				
SV4-8-3	C-8-3	13 (4)	210 (3000)	A-110
SV4-10-3	C-10-3	23 (6)	210 (3000)	A-128
S521N	C-10-3	44 (11)	210 (3000)	A--
SV4A/B-12-3	C-12-3	42 (11)	210 (3000)	A--
SV14A/B-12-3	C-12-3	42 (11)	350 (5000)	A-141



Model	Cavity	Flow rating	Typical pressure	Page
		<b>L/min (USgpm)</b>	<b>bar (psi)</b>	
<i>Solenoid 3/2, poppet</i>				
S229	A3531	12 (3)	210 (3000)	A-112

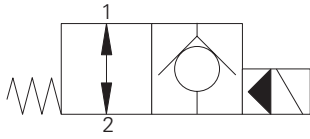


Model	Cavity	Flow rating	Typical pressure	Page
		<b>L/min (USgpm)</b>	<b>bar (psi)</b>	
<i>Solenoid 3/2, spool</i>				
S520H	C-10-3	40 (10)	210 (3000)	A-114

# SV3-10-O/OP/OS - Solenoid valve

Poppet type, normally open solenoid valve (free reverse flow)  
 45 L/min (12 USgpm) • 210 bar (3000 psi)

A



## Operation

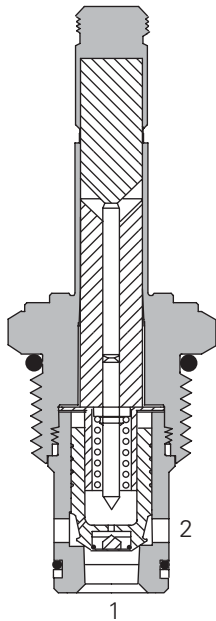
In the de-energized position the valve allows free flow in both directions.

When the solenoid is energized the pilot poppet closes the orifice and the valve closes blocking flow from port 2 to 1 while allowing free flow from port 1 to 2.

## Features

Hardened and ground working parts. Lapped seat for low leakage. IP69K Tough coil compatibility. Continuously rated. Compact design with low pressure drop.

## Sectional view



## Performance data

### Ratings and specifications

*Performance data is typical with fluid at 21,8 cSt (105 SUS) and 49° C (120° F)*

Typical application pressure (all ports)	210 bar (3000 psi)
Cartridge fatigue pressure (infinite life)	210 bar (3000 psi)
Rated flow	45 L/min (12 USgpm)
Internal leakage, port 2 to port 1	less than 5 drops/min max @ 210 bar (3000 psi)
Temperature range	-40° to 120°C (-40° to 248°F)
Coil duty	Continuous from 85% to 110% of nominal voltage
Cavity	C-10-2
Fluids	All general purpose hydraulics fluids such as: MIL-H-5606, SAE 10, SAE 20 etc.
Filtration	Cleanliness code 18/16/13
Housing material (standard)	Aluminum
Weight including coil	0,4 kg (0.87 lbs)
Seal kit	565803 (Buna-N), 566086 (Viton®)

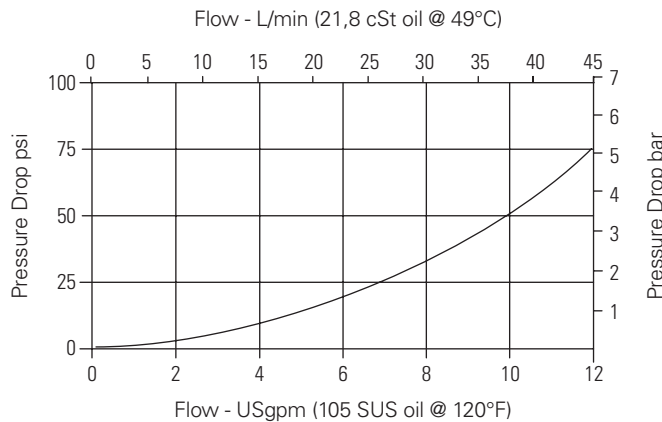
Viton is a registered trademark of E.I. DuPont

## Description

This is a 2-way, 2-position, poppet type, pilot operated, normally open solenoid valve. This valve is used in applications requiring low leakage, such as load holding applications or as a general purpose diverter or dump valve.

## Pressure drop

Cartridge only



Port 1 to port 2 and port 2 to port 1 de-energized

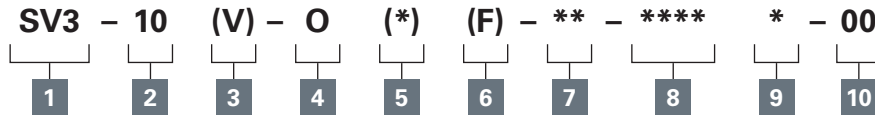
Where measurements are critical request certified drawings. We reserve the right to change specifications without notice.

# SV3-10-O/OP/OS - Solenoid valve

Poppet type, normally open solenoid valve (free reverse flow)  
45 L/min (12 USgpm) • 210 bar (3000 psi)

**SV3-10-O-24-DG**

Model code



A

## 1 Function

**SV3** - Solenoid valve

## 2 Size

**10** - 10 size

## 3 Seal material

**Blank** - Buna-N

**V** - Viton®

## 4 Style

**O** - Normally open

## 5 Manual override option

**Blank** - No manual override

**P** - Push type

**S** - Screw type

For valve dimensions with manual override option installed see page A-980.

## 6 Filter option

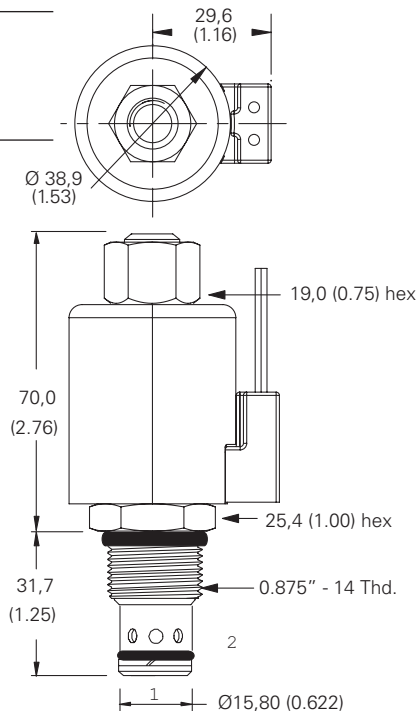
**Blank** - None

**S** - Filter Screen

## Dimensions

mm (inch)

## Cartridge only



## 7 Port size

Code	Port size	Housing number
<b>0</b>	Cartridge only	
<b>3B</b>	3/8" BSPP	02-175462*
<b>6T</b>	SAE 6	566151*
<b>2G</b>	1/4" BSPP	876702
<b>3G</b>	3/8" BSPP	876703
<b>6H</b>	SAE 6	876700
<b>8H</b>	SAE 8	876701

\*Light duty housing.  
See section J for housing details.

## 8 Voltage rating

**00** - No coil

**12D** - 12VDC

**24D** - 24VDC

**36D** - 36VDC

**24A** - 24VAC

**115A** - 115VAC

**230A** - 230VAC

**12B** - 12VDC/w diode\*

**24A** - 24VDC/w diode\*

\*Optional arc suppression diode.

## 9 Connector types

**Blank** - No coil

**G** - ISO 4400 DIN 43650

**Q** - Spade terminals

**W** - Flying lead

**N** - Deutsch (DC only)

**Y** - Amp JR (DC only)

**D** - Metripack 150 male (DC only)

**J** - Metripack 280 male (DC only)

For coil part numbers and dimensions see section C.

## 10 Special features

**00** - None

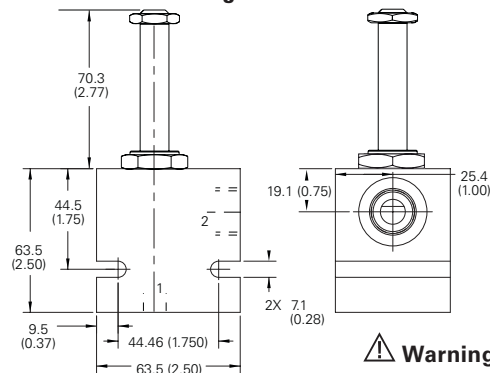
(Only required if valve has special features, omitted if "00".)

Torque cartridge in aluminum housing 47-54 Nm (35-40 ft lbs)

**Note:** Use J series, 23 W coils with this solenoid valve.

**Note:** When solenoid valve is ordered as cartridge only, coil nut is included.

## Installation drawing



## Warning

Maintain 5-8 Nm (4-6 ft lbs) maximum torque on valve tube nut.

Over tightening may cause valve failure.

Where measurements are critical request certified drawings. We reserve the right to change specifications without notice.