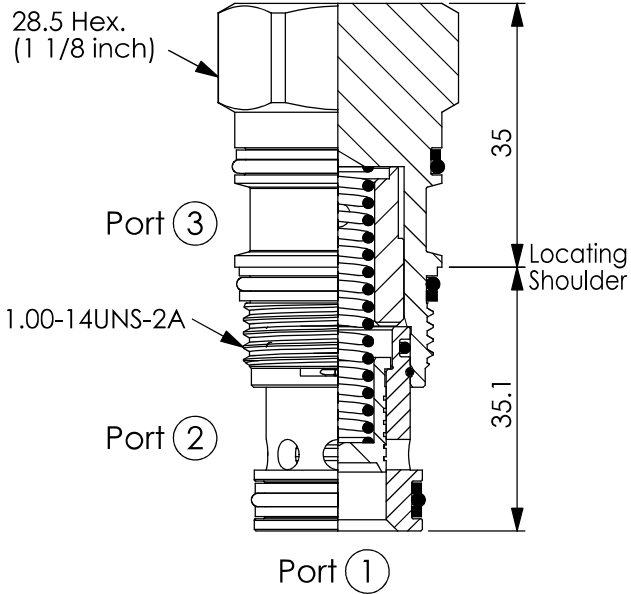


LR-2A-30-140-N

## LOGIC ELEMENTS

(Normally Closed Modulating Element)

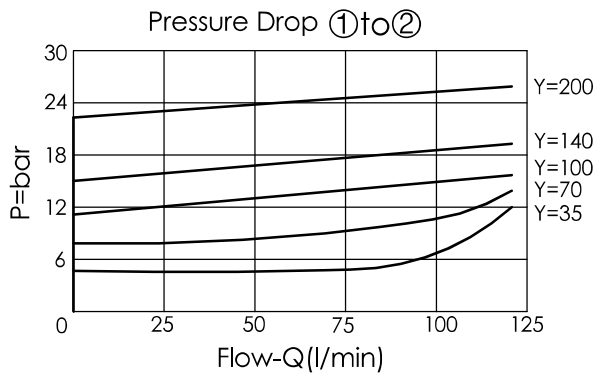
Ordering Code: **LR-2A-X-Y-Z**



UNIT:mm

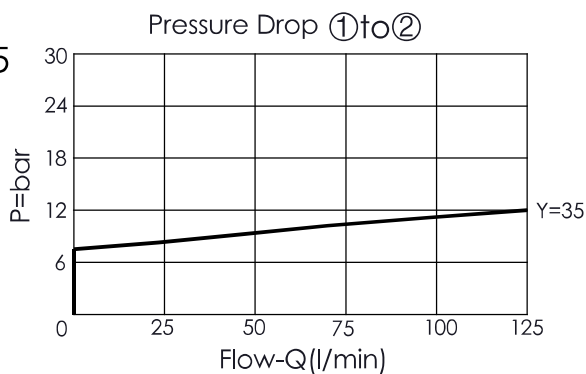
X:30

Z:N

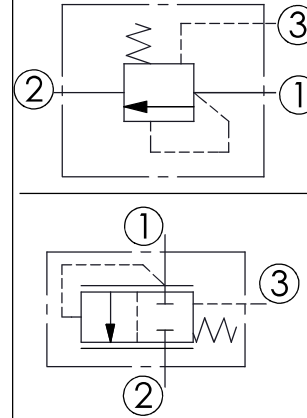


X:31

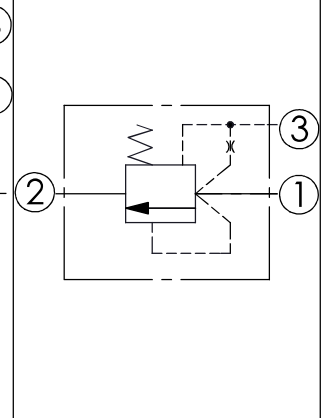
Z:N85



X:30



X:31



### TECHNICAL DATA

Max. pressure:	350	bar
Rated flow:	120	l/min
Cavity-Tooling:	2A-3	
Installation torque:	60-70	Nm
Weight:	0.22	kg

X

### OPERATION

30

External Pilot  
(bypass compensator)

31

Internal Pilot  
(Port 1 to Port3)  
(mainstage relief element)

Y

### SPRINGS

Cracking pressure

10	1.0 bar (Only X=31)
35	3.5 bar
70	7.0 bar
100	10.0 bar
140	14.0 bar
200	20.0 bar

Z

### OPTION

N

Non-adjustable

N85

Fast-acting