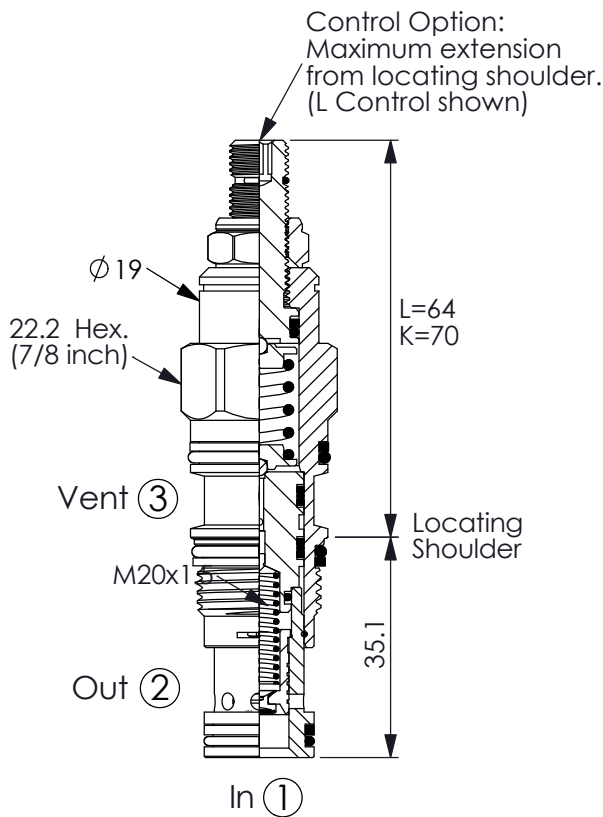
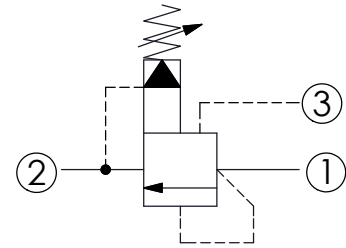


Ordering Code: **RV-11A-X-Y-Z**



UNIT:mm



TECHNICAL DATA

Max.Operating pressure: 350 bar

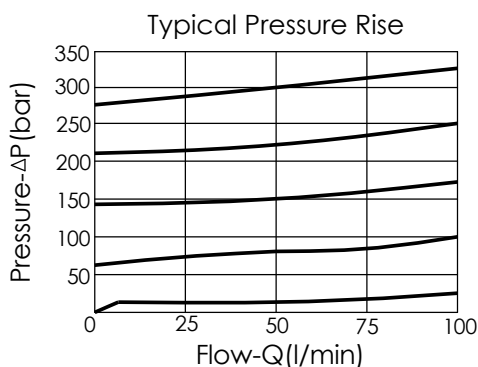
Rated flow: 60 l/min

Cavity-Tooling: 11A-3

Installation torque: 40-50 Nm

Weight: 0.15 kg

Will accept maximum pressure at port 2; suitable for use in cross port relief circuits. If used in cross port relief circuits, consider spool leakage.



X OPERATION

30 Standard Type

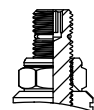
Response Time-Typical (10 ms)
Maximum Leakage (33 cc/min./70 bar)

Y SPRINGS ADJUSTMENT RANGES

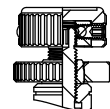
A	7 to 210 bar (70 bar Standard Setting)
B	3.5 to 105 bar (70 bar Standard Setting)
C	10.5 to 420 bar (70 bar Standard Setting)
D	1.7 to 55 bar (28 bar Standard Setting)
E	1.7 to 28 bar (14 bar Standard Setting)
H	2 to 210 bar (70 bar Standard Setting)
W	10.5 to 315 bar (70 bar Standard Setting)

Z OPTIONS

L Leakproof hex. socket screw.



K Handknob with Lock Knob.



C Stainless Steel Tamper Resistant Cover.

