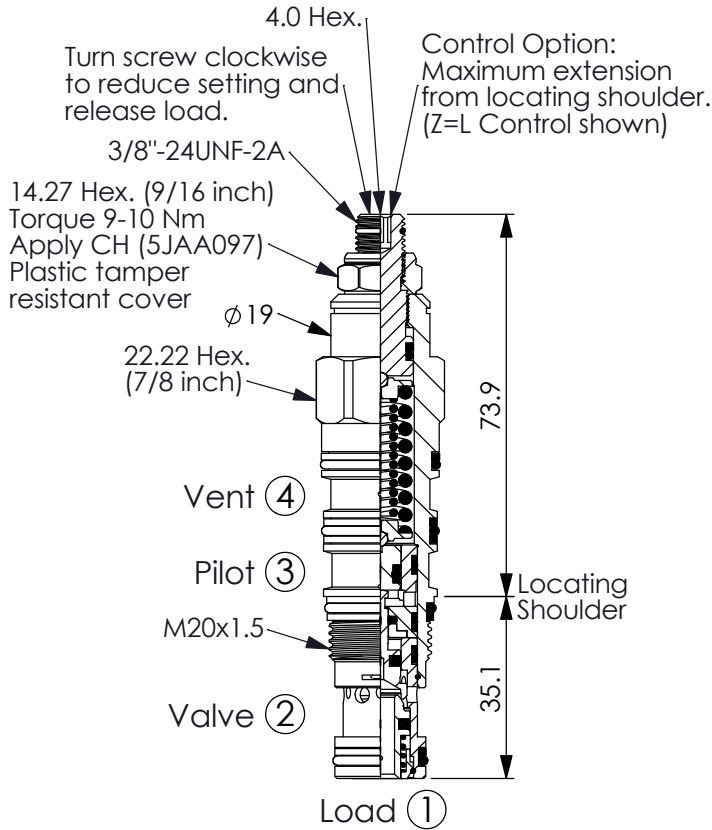
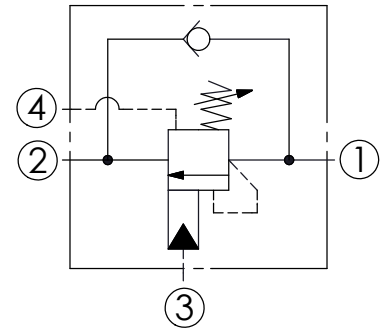


COUNTERBALANCE VALVE (Vented, 420 Bar Maximum Setting)

Ordering Code: **CW-21A-X-Y-Z**



UNIT:mm

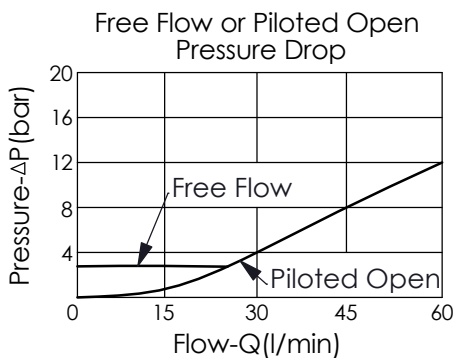


TECHNICAL DATA

Max. Setting:	420	bar
Rated flow:	60	l/min
Cavity-Tooling:	21A-4	
Installation torque:	40-50	Nm
Weight:	0.19	kg

Pressure Setting:

Setting should be 1.3 times maximum load induced pressure.
(We suggest when the Max. setting pressure is 420 bar, the load pressure has to be lower than 320 bar.)



X PILOT RATIO

4B	2 : 1 (with sealed pilot)
4E	5 : 1 (with sealed pilot)
4J	10 : 1 (with sealed pilot)

Y SPRINGS

ADJUSTMENT RANGES(2.8 bar Cracking Pressure)

F	70-175 bar (140 bar Standard Setting)
G	140-420 bar (280 bar Standard Setting)

Z OPTIONS

L	Leakproof hex. socket screw.	
C	Stainless Steel Tamper Resistant Cover.	
K	Handknob with Lock Knob. (Order Code: 6ZAK001)	