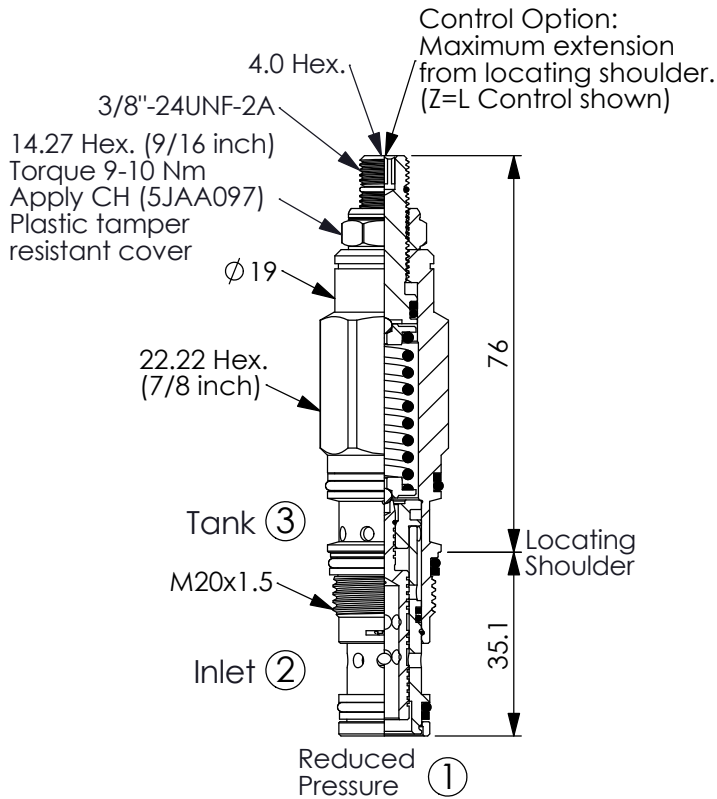
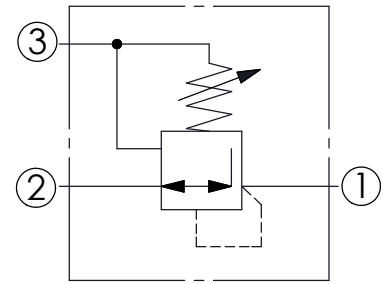
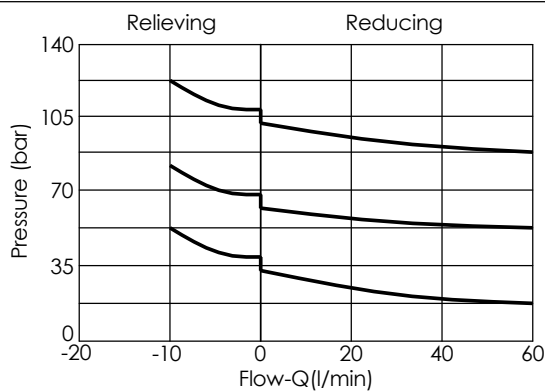


Ordering Code: **PD-11A-X-Y-Z**

PD-11A-30-B-L



UNIT:mm



TECHNICAL DATA

Max.Operating pressure:	350	bar
Rated flow:	40	l/min
Cavity-Tooling:	11A-3	
Installation torque:	40-50	Nm
Weight:	0.19 (Z=L)	kg

X OPERATION

30 Standard Type

• Maximum Leakage Approximately
(30 cc/min./70 bar)

Z OPTIONS

L	Leakproof hex. socket screw.	
LP	Leakproof hex. socket screw. With stainless steel external metal components	
C	Stainless Steel Tamper Resistant Cover.	
T	Three-winged Handknob Kit.	
KF	Handknob with Panel Mount.	
BA	Handknob and aluminum locknut.	

SPRINGS

ADJUSTMENT RANGES

Y	ADJUSTMENT RANGES
A	35-210 bar (50 bar Standard Setting)
B	3.5-105 bar (14 bar Standard Setting)
D	1.7-55 bar (14 bar Standard Setting)
E	1.7-28 bar (14 bar Standard Setting)
H	7-210 bar (50 bar Standard Setting)
S	1.7-14 bar (7 bar Standard Setting)
W	50-315 bar (70 bar Standard Setting)