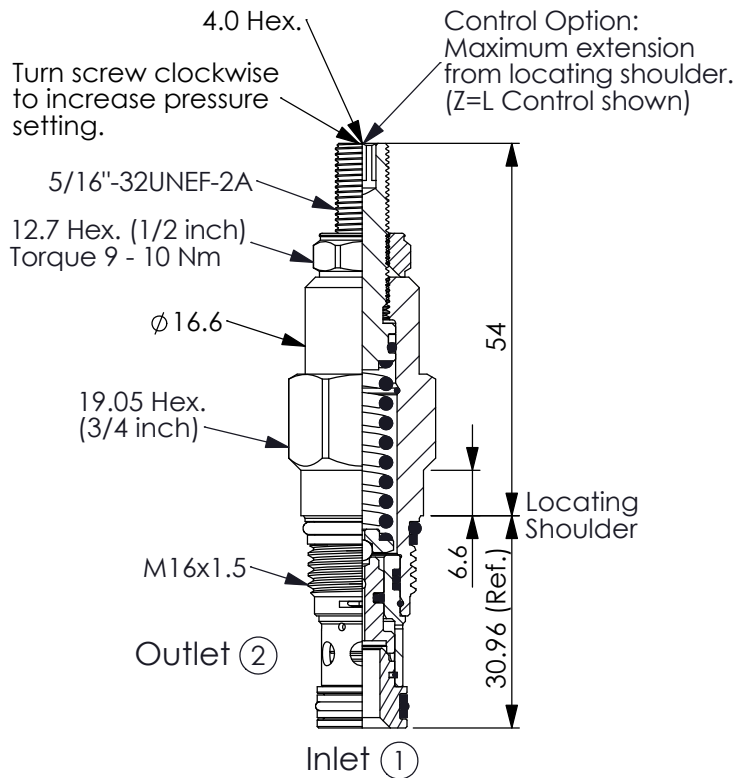
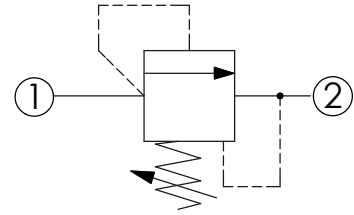


Ordering Code: **RD-162A-X-Y-Z**



UNIT:mm

Illustrations / detail are for reference only. Data subject to change.



TECHNICAL DATA

Max. Operating pressure: 350 bar

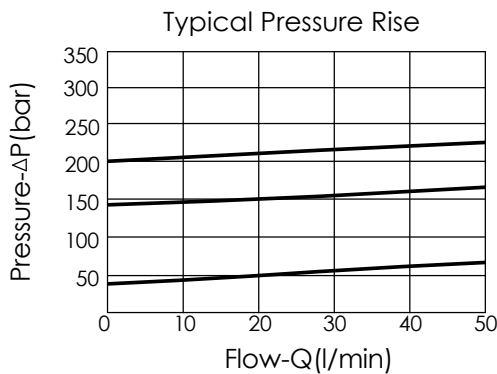
Rated flow: 45 l/min

Cavity-Tooling: 162A-2

Installation torque: 27 - 33 Nm

Weight: 0.10 (Z=L,LP) 0.12 (Z=K) kg

Will accept maximum pressure at port ②; suitable for use in cross port relief circuits.



X OPERATION

25 Direct Acting
① to ② (P to T)

- Response Time-Typical (2 ms)
- Maximum Leakage Approximately (5 drops/min. to 85% of nominal setting)
- Dirt tolerant

Y PRESSURE SETTING

A	35 - 210 bar (70 bar Standard Setting)
B	20 - 105 bar (70 bar Standard Setting)
C	70 - 420 bar (70 bar Standard Setting)
D	14 - 55 bar (28 bar Standard Setting)
E	10 - 28 bar (14 bar Standard Setting)
S	3.5 - 14 bar (7 bar Standard Setting)
W	55 - 315 bar (70 bar Standard Setting)

Z OPTIONS

L	Leakproof hex. socket screw.	
LP	Leakproof hex. socket screw. With stainless steel external metal components	
K	Handknob with Lock Knob. (Order Code: 7ZAK001)	