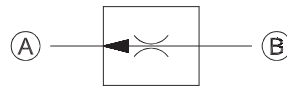


OPERATION

This is an in-line restrictive type flow control valve.

Schematic



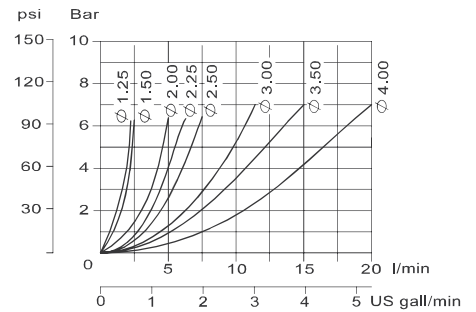
SPECIFICATIONS

Specifications

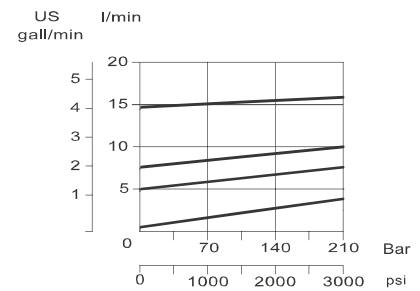
Pressure rating	210 bar [3000 psi]
Max regulated flow	16 l/min [4.2 US gal/min]
Cavity	Consult factory

Theoretical performance

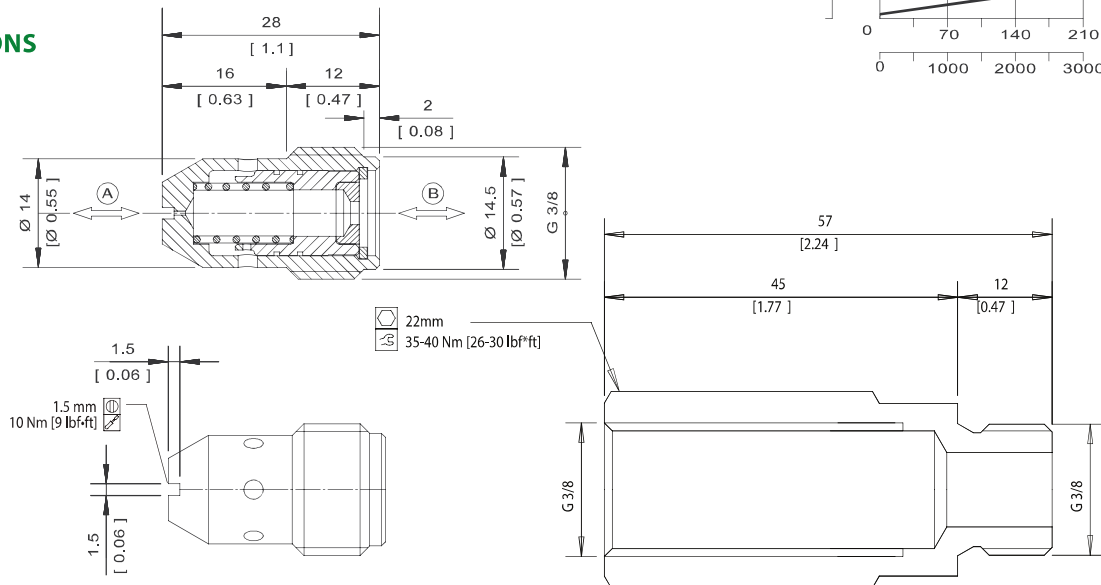
Pressure drop from A \Rightarrow B according to orifice diameter
 26 cSt [121 SUS] hyd.oil at 50°C [122 °F]



Variation in controlled flow from B \Rightarrow A according to pressure
 26 cSt [121 SUS] hyd.oil at 50°C [122 °F]



DIMENSIONS



ORDERING INFORMATION

SC10-2.50-G-00
 SC10-1.25-G-00

Orifice diameter mm	Flow at 100 bar [1450 psi] l/min [US gal/min]	00 = Cartridge only
1.25	2.0[0.53]	L = 3/8 BSP
1.50	3.0[0.79]	
2.00	4.0[1.06]	
2.25	5.0[1.32]	
2.50	6.0[1.59]	
3.00	9.0[2.38]	
3.50	11.0[2.91]	
4.00	16.0[4.23]	