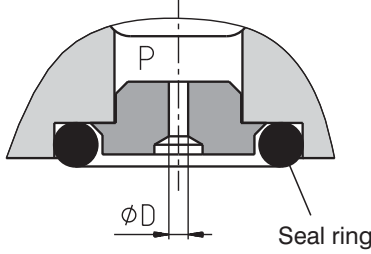
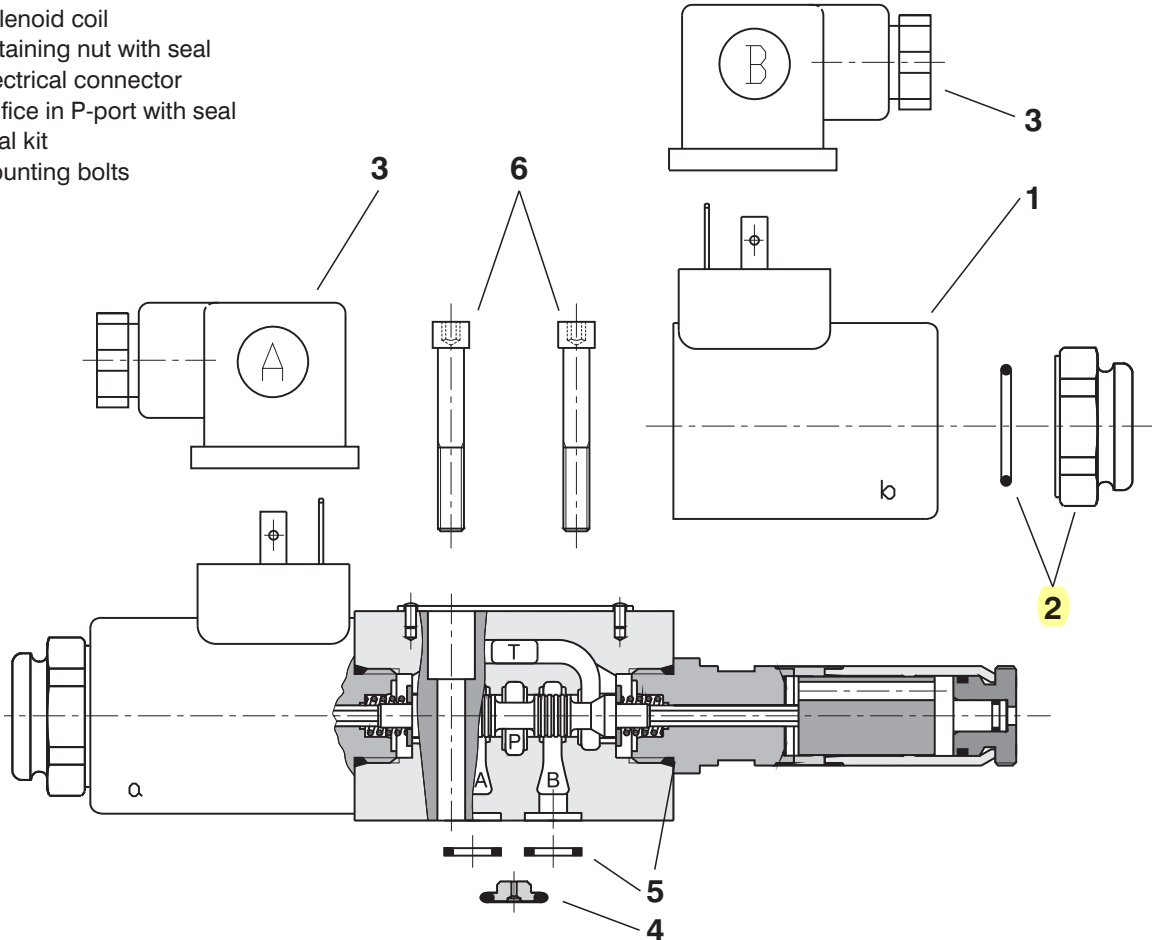


Orifice in P-Port

Type	∅D mm (inch)		P-port orifices limits the flow into the directional control valve. Attention: When the orifice in P port is additionally mounted the standard used square ring NBR is replaced with O-ring from Viton.
D1	0,8 (0.032)		
D2	1,0 (0.040)		
D3	1,2 (0.047)		
D4	1,5 (0.059)		
D5	0,7 (0.028)		

Spare Parts

- 1 Solenoid coil
- 2 Retaining nut with seal
- 3 Electrical connector
- 4 Orifice in P-port with seal
- 5 Seal kit
- 6 Mounting bolts



Solenoid coil

Type designation	Type of the coil				
	E1	E2	E3	E4	E5
	Ordering number				
01200	27316600	27631400	27330200	27631600	
*01200	24140700				
02400	27316700	27632400	27449700	27633400	
*02400	24140800				
20500	27382400	-	-	-	
23050					27449900
*23050					24141000

Solenoid retaining nut with seal

Type of the nut	Seal ring	Ordering number
Standard nut	18 x 1.5	15874500
Nut with rubber boot		15874800

* CSA Upon request 