

# Shut-off plug - Cavity SAE10

## Description



A 1-piece screw-in shut-off plug, blocking flow in all directions. Single-piece high endurance seals. No backup ring. External surfaces are zinc plated and corrosion proof. Customized markings can be done upon request

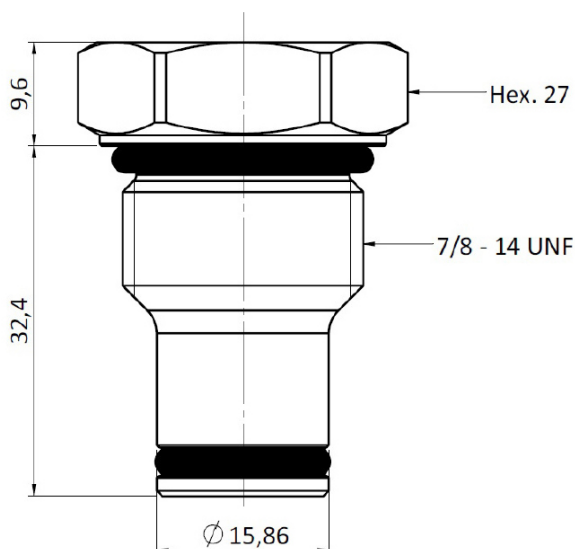
## Technical Data

Maximum Pressure	420 bar
Installation Torque	55 - 65 Nm
Seal kit code	SK.001
Weight	0,120 kg

## Ordering Code

S P • P G • 0 0 1

## Cross Section



## Cavity Details

