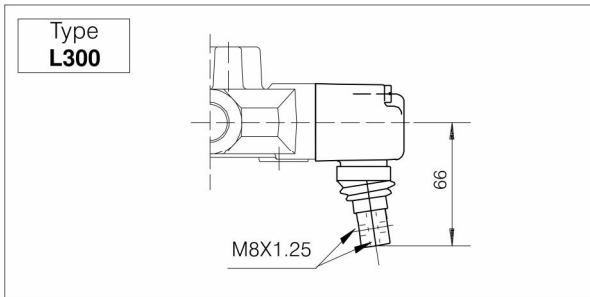
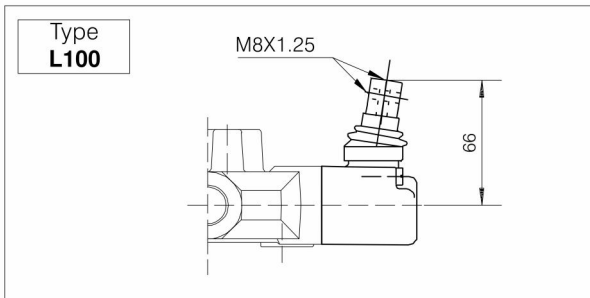
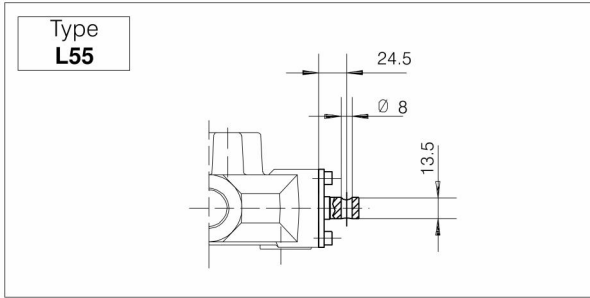
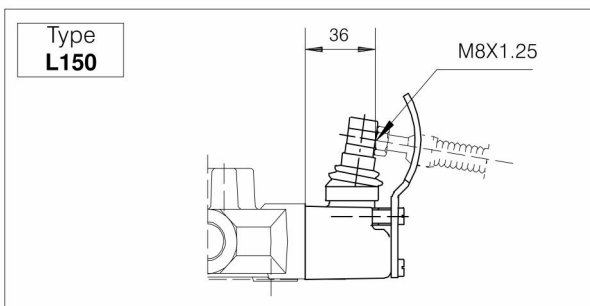
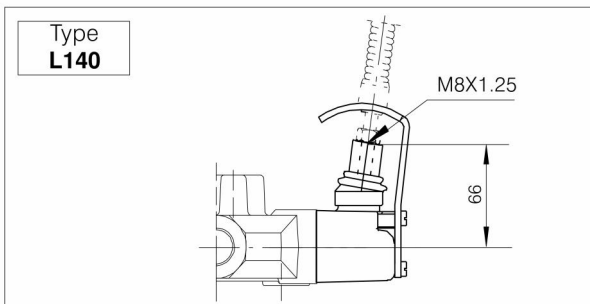


**2.8 Lever styles**



Lo		Type	Code
mm	inches		
150	5.90	<b>AL001</b> standard	200.7022.1019.0
200	7.87	<b>AL002</b>	200.7022.1003.0
250	9.84	<b>AL003</b>	200.7022.1005.0
300	11.81	<b>AL004</b>	200.7022.1006.0

**2.8.1 Safety levers**



Lo		Type	Code
mm	inches		
160	6.30	<b>AL014</b>	200.7022.1009.0
180	7.08	<b>AL018</b>	200.7022.1011.0