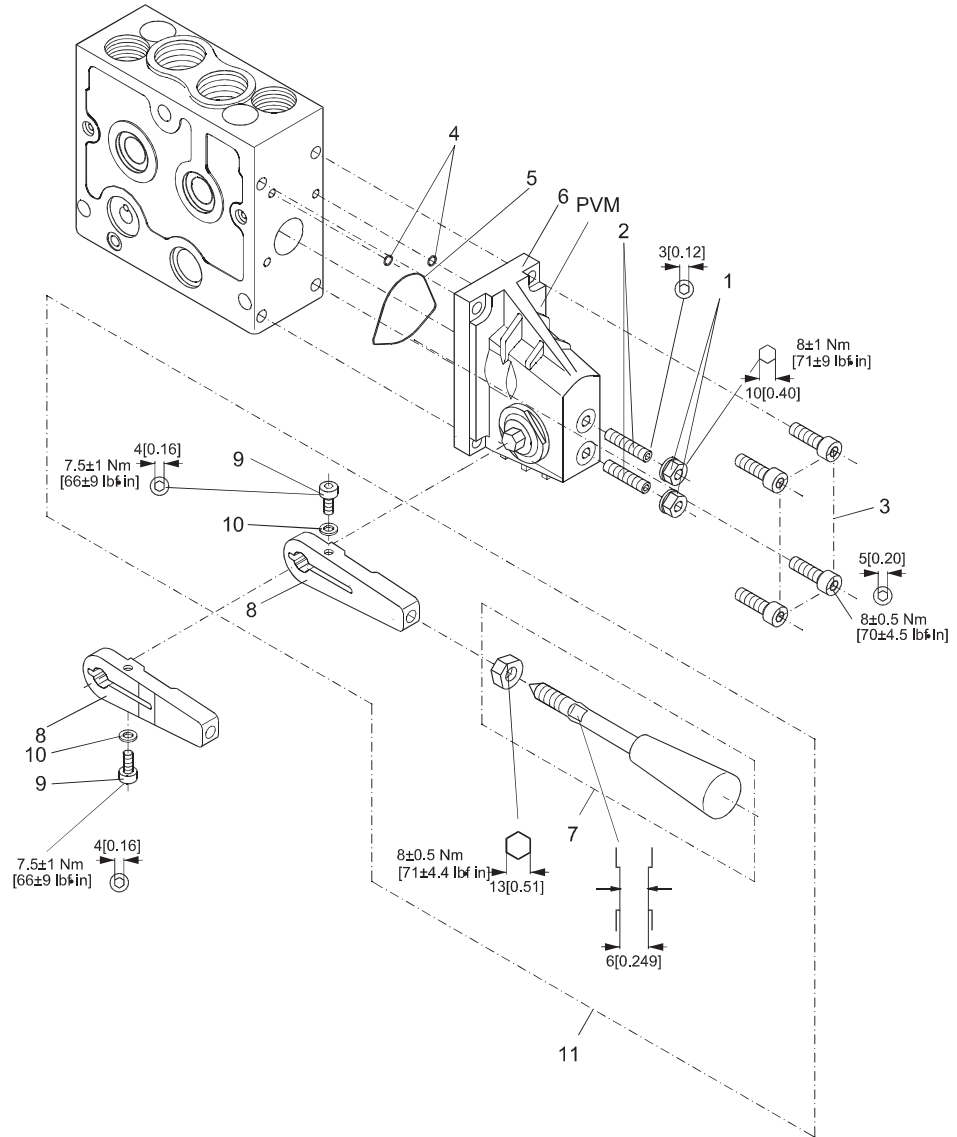


**PVM,  
MECHANICAL  
ACTIVATION**



157-293.10

**PVM, MECHANICAL  
ACTIVATION**

Type	Angle	Code No.
PVM	22.5°	157B3171
PVM	37.5°	157B3172
PVM	-	157B3173
PVM	37.5°	157B3174
PVM	22.5°	157B3175

Item	Description	Code No.					
1	Seal nut	681X8270	2	2	2	2	2
2	Threaded pin	681X0323	2	2	2	2	2
3	Screw	681X1864	4	4	4	4	4
4*	O-ring Ø5.0 × 2.0 [0.2 × 0.08 in ]	633B1809	2	2	2	2	2
5*	Profile O-ring	155L3430	1	1	1	1	1
6	Housing		1	1	1	1	1
7	Lever	155L3151				1	1
8	Base	22.5°	155L3450	1			
		37.5°	155L3451		1		
9	Screw	681X9289	1	1		1	1
10	Washer	684X0075	1	1		1	1
11	Base and activation bar with knop and nut	155L3154					
*	Set of seals (see page 50)	157B3999	1	1	1	1	1

Type	Angle	Code No.
PVM	22.5°	157B3191
PVM	37.5°	157B3192
PVM	-	157B3193
PVM	37.5°	157B3194
PVM	22.5°	157B3195

Item	Description	Code No.					
3	Screw	681X1864	4	4	4	4	4
4*	O-ring Ø5.0 × 2.0 [0.20 × 0.08 in ]	633B1809	2	2	2	2	2
5*	Profile O-ring	155L3430	1	1	1	1	1
6	Housing		1	1	1	1	1
7	Lever	155L3151				1	1
8	Base	22.5°	155L3450	1			
		37.5°	155L3451		1		
9	Screw	681X9289	1	1		1	1
10	Washer	684X0075	1	1		1	1
11	Base and activation bar with knop and nut	155L3154					
*	Set of seals (see page 50)	157B3999	1	1	1	1	1

**SET OF SEALS FOR  
PVG 32**

Type		Code No.
PVP	module	157B5999
PVB	module	157B6999
<b>PVM</b> / PVH / PVMD / PVMR / PVMF	module	<b>157B3999</b>
PVEO / PVEM / PVEH / PVES	module	157B4997
PVAS	for a PVG with 1 PVB-section	157B8999
PVPX	module	157B4996
PVEO/PVEM/PVEH	module before middle 1993	157B4999
PVPX	module before 1996	157B4998

Description											
O-ring	∅9.0 × 2.0	0.35 × 0.08 in]	633B1816							2	1
O-ring	∅11.0 × 2.0	[0.43 × 0.08 in]	633B1818								1
Washer	13.5 × 17.5 × 1.5	[0.53 × 0.69 × 0.06 in]	684X2120							2	2
Bonded seal	6.7 × 10.0 × 1.0	[0.26 × 0.39 X 0.04 in]	633X9008								2
Plastic plug			155L6377							2	1
O-ring	∅6.0 × 1.5	[0.24 × 0.06 in]	633B1810							<b>3</b>	1
O-ring	∅5.0 × 2.0	[0.20 × 0.08 in]	633B1809	4		4				<b>6</b>	
O-ring	–		155L2389			1					
O-ring	∅16.0 × 2.5	[0.63 × 0.10 in]	633B1817			8					
O-ring	∅10.0 × 2.5	[0.39 × 0.10 in]	633B0120			1					
Seal			155L0356							<b>1</b>	
Seal nut	M 6.0	[0.24 in]	681X8270							<b>2</b>	
O-ring	∅30.0 × 2.5	[1.18 × 0.10 in]	633B0241					1			
O-ring	∅10.0 × 2.0	[0.39 × 0.08 in]	633B1461					3			
O-ring	∅ 4.0 × 1.0	[0.16 × 0.04 in]	633B0204					3			
O-ring	∅ 8.0 × 2.0	[0.31 × 0.08 in]	633B1056					1			
O-ring	∅21.20 × 2.4	[0.83 × 0.09 in]	633B1808	1						<b>1</b>	
*O-ring	∅10.5 × 1.8	[0.41 × 0.07 in]	633B1834								2 2
O-ring	∅19.3 × 2.4	[0.76 × 0.09 in]	633B1136							<b>1</b>	
O-ring	∅33.0 × 2.5	[1.30 × 0.10 in]	155L3430							<b>1</b>	
O-Ring	∅9.25 × 1.78	[0.36 × 0.07 in]	633B1243	1		1					
O-Ring	∅16.36 × 2.21	[0.64 × 0.09 in]	633B0046	1		1					
Back-up ring	∅9.8	[0.04 in]	633B0117	1		1					
O-ring	∅13.0 × 1.0	[0.51 × 0.04 in]	633B0382			2					
O-ring	∅14.0 × 1.78	[0.55 × 0.07 in]	633B1981	2							