

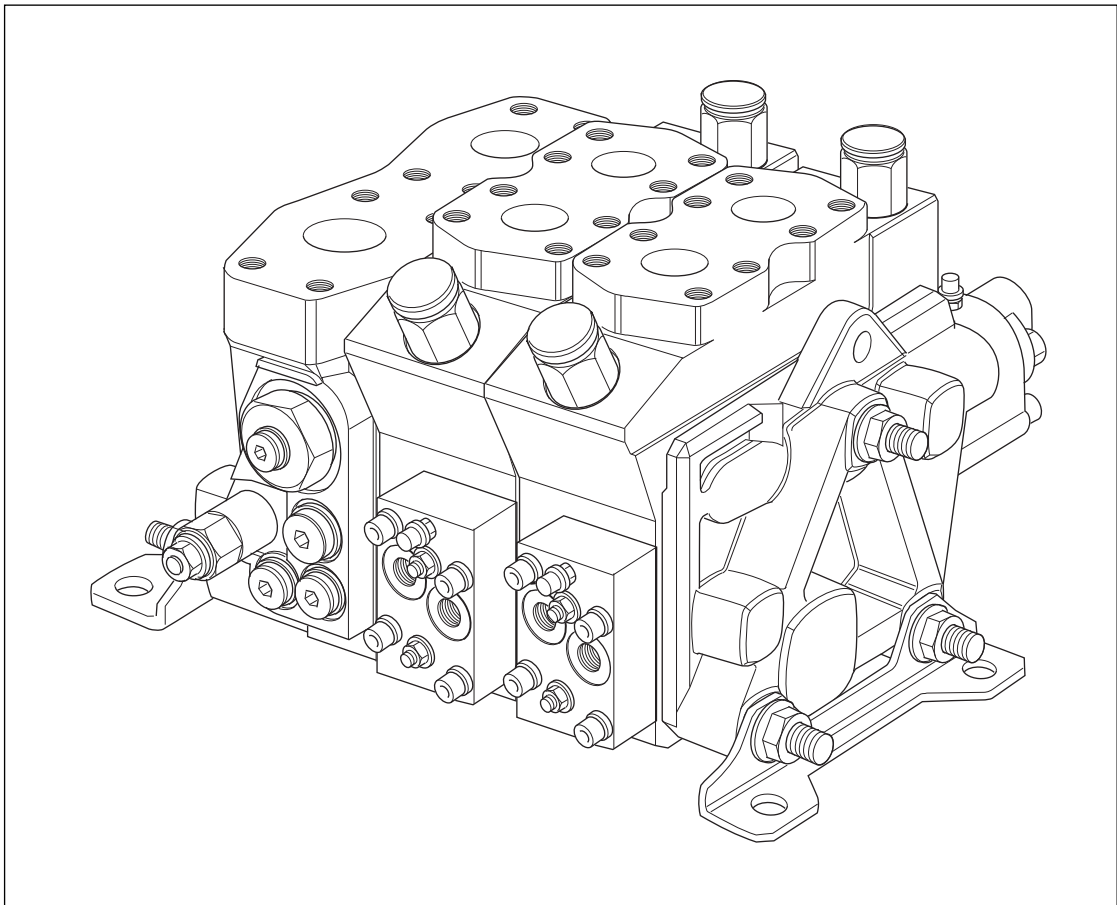


Bulletin HY17-8806-M1/UK

Spare Parts List

Series K220LS

Effective date: November 6, 2015
Supersedes: September 23, 2014



This list of spare parts is designed to give you a good idea of the components included in the product range for valves. To see precisely which component is used for a specific product, you will need to look at the customer specification for the product in question. The customer specification contains a number of entries, and for each entry, a code pressure or flow is specified with a code or a number. To help you find your way around, this list of spare parts contains references to these entries and codes.

Codes on the image page of the list of spare parts usually appear in bold and enclosed in a border. The table page contains available spare part sets. The ordering code is the product code that appears in the Part column.

The spare part to be used is determined by the first two columns, which contain the entry and the code from the customer specification. If these columns are empty, the spare part set is valid regardless of the selected code, unless indicated otherwise

The symbols in the frame below are used in this Spare Parts List to help you find the right tools, the right torques, suitable grease etc.















Technical index description

- 1 = Item pos. no. 1.
- 1(2x) = Item pos. no. 1, contains 2 pieces in the kit
- 1[2] = Item pos. no. 2 already mounted on item pos. no. 1 at delivery.
- 1[2](2x) = Item pos. no. 1 (see above) contains 2 pieces in the kit.

Conversion factors

- 1 kg = 2.2046 lb
- 1 N = 0.22481 lbf
- 1 Nm = 0.10197 kpm
- 1 bar = 14.504 psi
- 1 l = 0.21997 UK gallon
- 1 l = 0.26417 US gallon
- 1 cm³ = 0.061024 in³
- 1 m = 3.2808 feet
- 1 mm = 0.03937 in
- 1°C = (9/5x°C+32)°F

Symbols for servicing

-  = Phillips screw
-  = Slot screw
-  = Socket head dimensions in mm and/or inch
-  = Hexagon dimensions in mm and/or inch
-  = Sixpoint socket
-  = Wrench size in mm and/or inch or special assembly/disassembly tool needed. No...
-  = Factory preadjusted item, see appendix A
-  = Thread for disassembly type...
-  = Tightening torque in Nm
-  = Use locking/sealing fluid type...
-  = Use corrosion preventative type...
-  = Use hydraulic liquid for lubrication
-  = Use grease type...
-  = Spool classifies by size, see appendix A



WARNING - USER RESPONSIBILITY

FAILURE OR IMPROPER SELECTION OR IMPROPER USE OF THE PRODUCTS DESCRIBED HEREIN OR RELATED ITEMS CAN CAUSE DEATH, PERSONAL INJURY AND PROPERTY DAMAGE.

This document and other information from Parker-Hannifin Corporation, its subsidiaries and authorized distributors provide product or system options for further investigation by users having technical expertise.

The user, through its own analysis and testing, is solely responsible for making the final selection of the system and components and assuring that all performance, endurance, maintenance, safety and warning requirements of the application are met. The user must analyze all aspects of the application, follow applicable industry standards, and follow the information concerning the product in the current product catalog and in any other materials provided from Parker or its subsidiaries or authorized distributors.

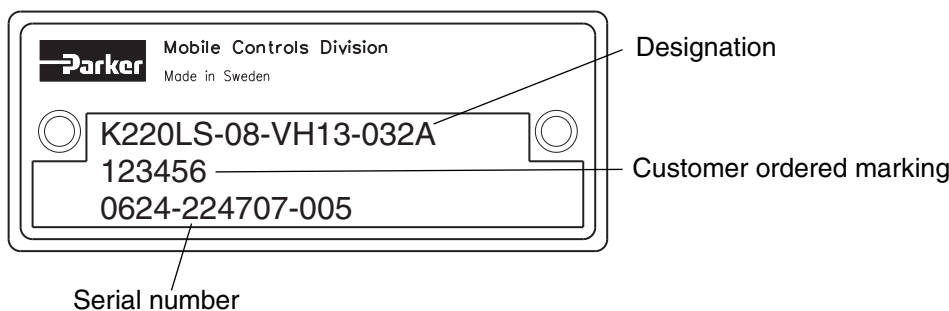
To the extent that Parker or its subsidiaries or authorized distributors provide component or system options based upon data or specifications provided by the user, the user is responsible for determining that such data and specifications are suitable and sufficient for all applications and reasonably foreseeable uses of the components or systems.

Offer of Sale

Please contact your Parker representation for a detailed "Offer of Sale".

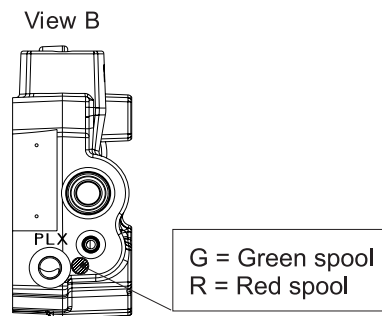
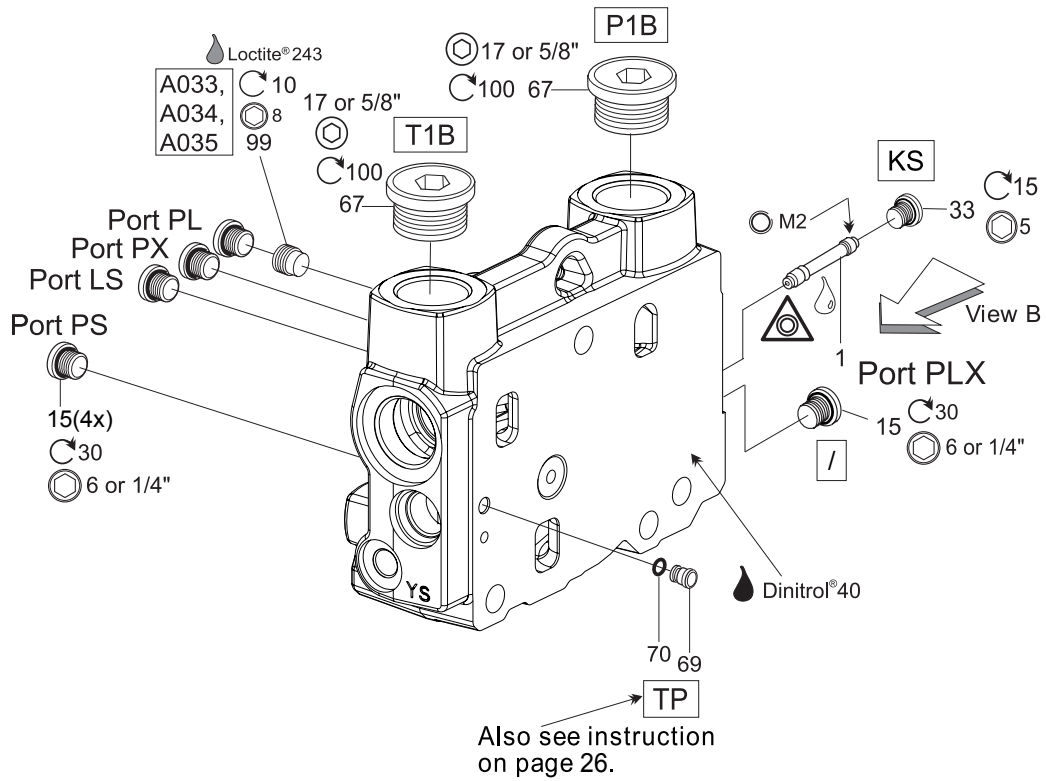
Contents

List of contents	Page
Inlet Section PT (S67), FC (B86)	
S67: T1B, P1B, KS, /, TP, A033, A034, A035.....	4
B86: AS, AS2, ASE, LS2, IP, T1B, P1B, PLM, PLS, KS, TP, A296.....	6
S67, B86 (common): PA1, Y1, T2B, MP, MP5, MF5, MF9, A019, S, YS, 35, 45, A052.....	8
Combine Inlet	
ASC: PLS, PLM.....	10
LS2C: PA1, Y1, A033, A034, A035.....	10
ASC, LS2C (common): T2B, MP, MP5, MF5, MF9, A019, R, RX, 35, 45, S, YS, TP, TPB, P1B, T1B, KS, /.....	12
Spool Section PT (S50), FCS/FCH (B72)	
S50: MR, MRC, EA, EB.....	14
B72: MR, MRC, MRM, EA, EB.....	16
S50, B72 (common): PA, N2, Y2, X2, A008.....	18
Compensators	
S50: PR4/PR12.....	20
S50, B72 (common): X1, N1, K1, K2, K3, EK2, EK3, KN1, A001, A077.....	22
S50, B72 (common): KAP, KAS, A001, A044.....	24
Spool Actuators	
B72: EC, ECS, A, D, 12, 24, A214.....	26
S50, B72 (common): EC2, ECS2, A, D, 12, 24, A214.....	28
S50, B72 (common): A010, A330 (EC2, ECS2), A, D, 12, 24.....	30
S50, B72 (common): PC.....	32
End Section	
LSP, LSPB, P2B, T3B, T31B, TPB.....	34
Slim valve (S67 + S50): Tie rods, Brackets, Intersection seals A067.....	36
Broad valve (B86 + B72): Tie rods.....	38
Combined valve (B86 + S50/B72): Tie rods, Brackets, Intersection seals, A054, A304.....	40
Manifolds type.....	42
Appendix A: Warnings.....	44
Appendix B: Caps old style, EC, ECS, PC.....	45
Appendix C: Assembly Instructions. Tools.....	46
Appendix D: Phased out.....	49



Valve serial numbers consist of three groups of digits
 The first group shows year and week of manufacture:
 In this example, 0624 means week 24 of 2006
 The remaining digits are for internal use within Parker

Slim Inlet S67: T1B, P1B, KS, /, TP, A033, A034, A035

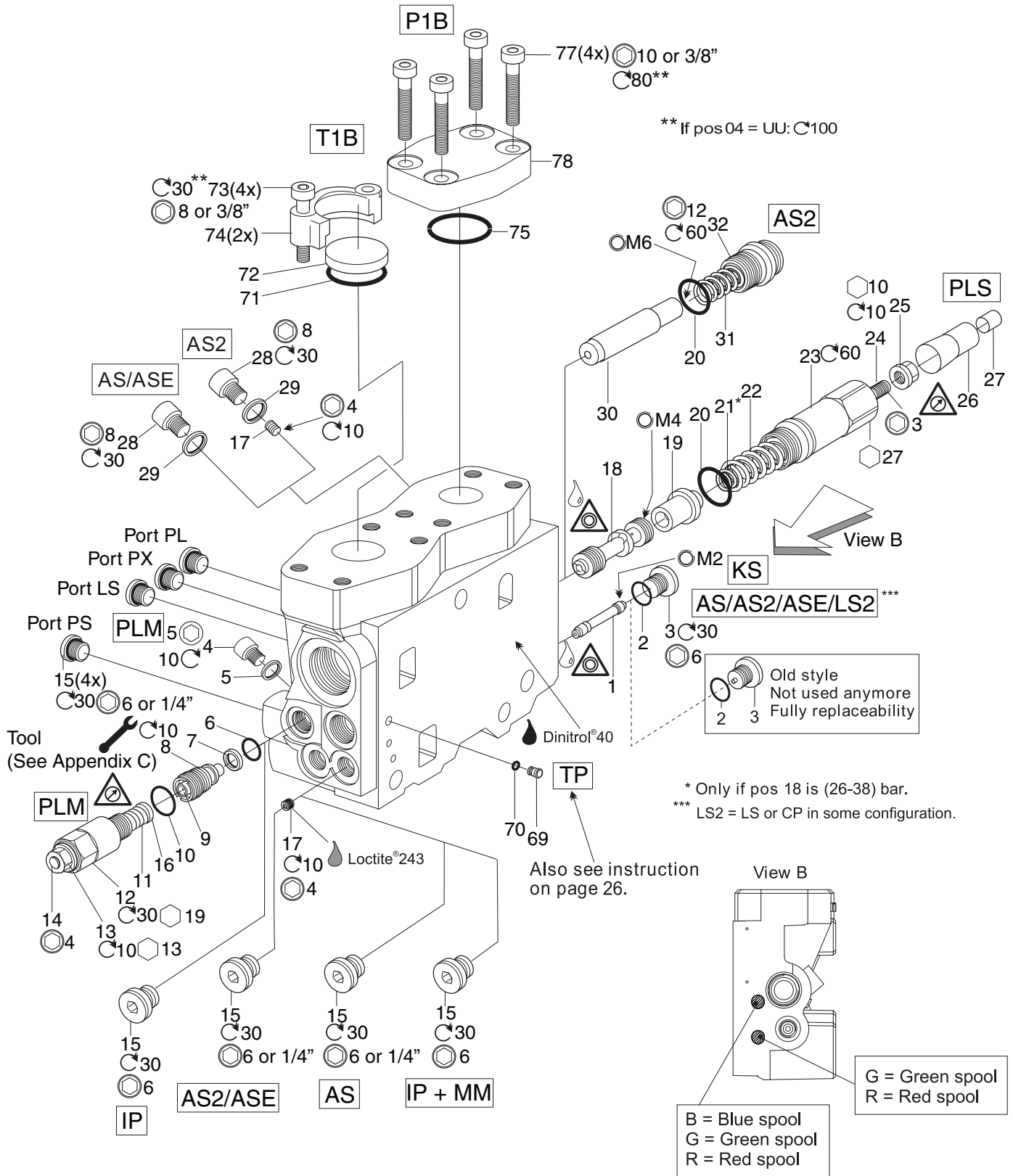


Inlet Section

See Customer Specification				
Port PS, PX, LS, PL + MG, G	15 + 04	-	Plug VST11/4EDCF	15
Port PS, PX, LS, PL + MU, U	15 + 04	-	Plug 6HP5ON-S	15
T1B, P1B + MG, G	25, 26 + 04	-	Plug VST11EDCF	67
T1B, P1B + MU, U	25, 26 + 04	-	Plug 16HP5ON-S	67
KS	20	393000K037	Copy spool, size 'Green'	1, 33
KS	20	393000K437	Copy spool, size 'Red'	1, 33
KS	20	-	Plug VST11/8EDCF	33
/	20	-	Plug VST11/4EDCF, Port PLX	15
/	20	-	Plug 6HP5ON-S, Port PLX	15
TP	40	393003K001	Pilot tank line plug, TP	69, 70
A033 + MG, G	29 + 04	6760561	Restrictor check valve A033, Ø0.4 mm	99
A034 + MG, G	29 + 04	6760571	Restrictor check valve A034, Ø0.6 mm	99
A035 + MG, G	29 + 04	6760562	Restrictor check valve A035, Ø0.8 mm	99

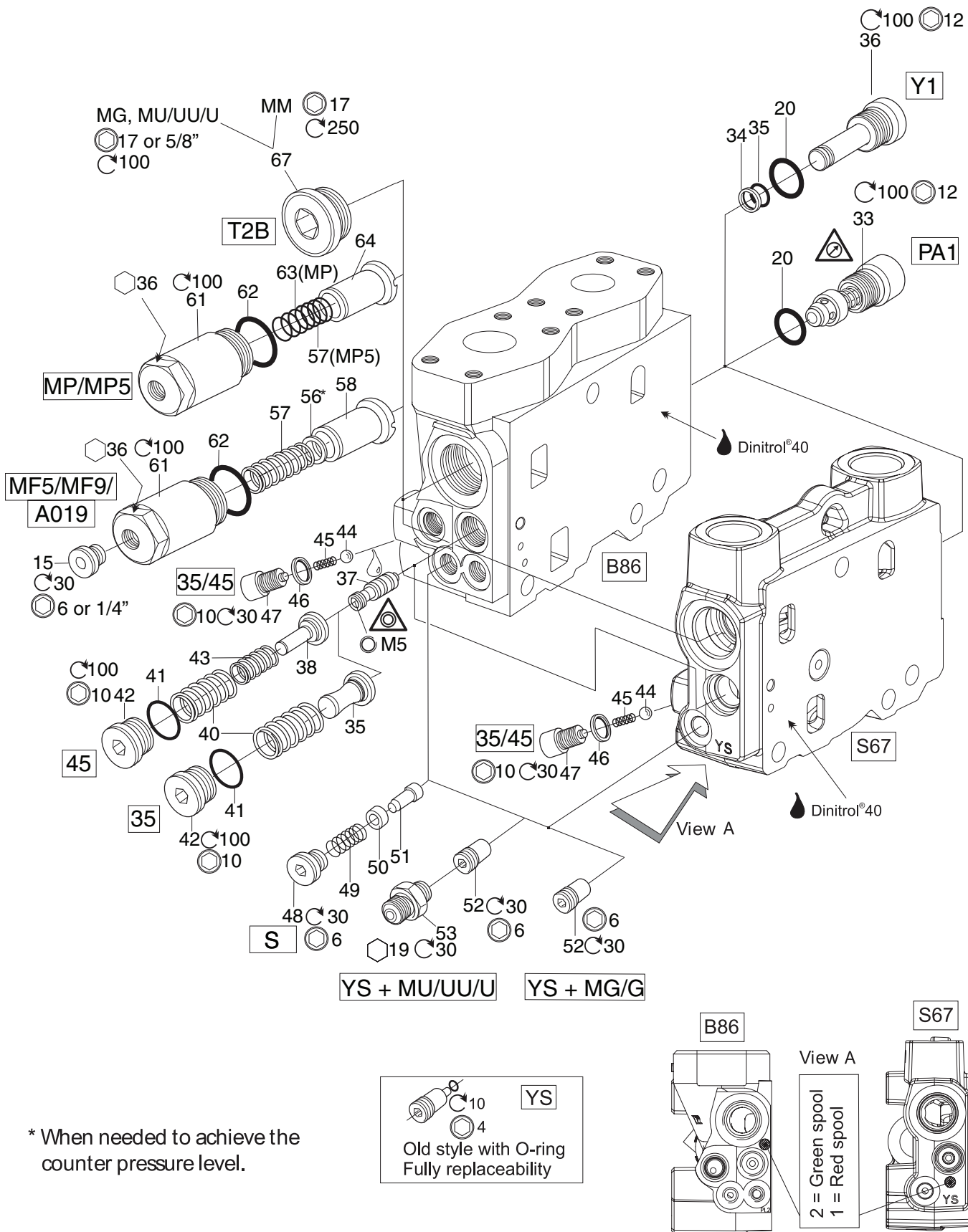
Inlet Section

Broad Inlet B86: AS, AS2, ASE, LS2, IP, T1B, P1B, PLM, PLS, KS, TP









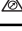


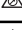


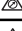





See Customer Specification				
Code	Pos	Part	Description	Remarks / Items
>0 (PLS)	18	9120092353	Diff.pressure relief, adjusting pack (PLS)	19, 20, 21, 22, 23, 24, 25
>0 (PLS)	18	9120092270	Kit complete with spool, size 'Red'	18, 19, 20, 21, 22, 23, 24, 25
>0 (PLS)	18	9120092269	Kit complete with spool, size 'Green'	18, 19, 20, 21, 22, 23, 24, 25
>0 (PLS)	18	9120092268	Kit complete with spool, size 'Blue'	18, 19, 20, 21, 22, 23, 24, 25
>0 (PLS)	18	6760193	O-ring kit	20(5x)
>0 (PLS)	18	393000K852	Sealing set	26, 27
PLS	18	9120092290	Plug kit, M10x16	28, 29
PLM	16	9120092278	Main relief valve, PLM	6, 7, 8, 9, 10, 11, 12, 13, 14, 16
PLM	16	9120092271	Seal kit PLM	6, 7, 10, 13
PLM, A296	16	6760017	Plug kit, M6x10	4(2x), 5(2x)
PLM + A296	16	6763222	Main relief valve, A296	6, 7, 8, 9, 11, 12 [10, 13, 14], 16
PLM + A296	16	6763092	Spring housing cpl. A296	12 [10, 13, 14]
AS2	15	6760193	O-ring kit	20(5x)
AS2	15	6760199	Plug kit AS2	20, 30, 31, 32
AS2	15	6760045	Plug kit, M10x16 with plug P6SS 8x8	17, 28, 29
KS	20	9120092275	Copy spool, size 'Green'	1, 3 [2]
KS	20	9120092276	Copy spool, size 'Red'	1, 3 [2]
KS	20	6760197	O-ring kit	2(5x)
KS	20	6760773	Plug BSP 1/4" (O-ring)	3 [2]
Port PS,PX,LS,PL + MG	15 + 04	-	Plug VST11/4EDCF	15
Port PS, PX, LS, PL + MU, UU	15 + 04	-	Plug 6HP5ON-S	15
Port PS, PX, PL + MM	15 + 04	-	Plug VST114x1.5EDCF	15
AS2, ASE	15	6760198	Plug kit, P6SS 8x8	17(5x)
AS, AS2, ASE + MG	15 + 04	-	Plug VST11/4EDCF	15
AS,AS2,ASE+MU, UU	15 + 04	-	Plug 6HP5ON-S	15
IP + MM	15 + 04	-	Plug VST114x1.5EDCF	15
IP	15	-	Plug VST11/4EDCF	15
AS - AS2	15	6760221	Conversion kit, AS - AS2	17(2x), 20, 30, 31, 32
TP	40	393003K001	Pilot tank line plug	69, 70
T1B + MG, MU	25 + 04	9120092354	T1 connection blocked, Metric	71, 72, 73(4x), 74(2x)
T1B + UU	25 + 04	9120092358	T1 connection blocked, UNC	71, 72, 73(4x), 74(2x)
P1B + MG, MU	26 + 04	6763379	P1 connection blocked, Metric	75, 77(4x), 78
P1B + UU	26 + 04	6763383	P1 connection blocked, UNC	75, 77(4x), 78

Inlet S67, B86 (common): PA1, Y1, T2B, MP, MP5, MF5, MF9, A019, S, YS, 35, 45

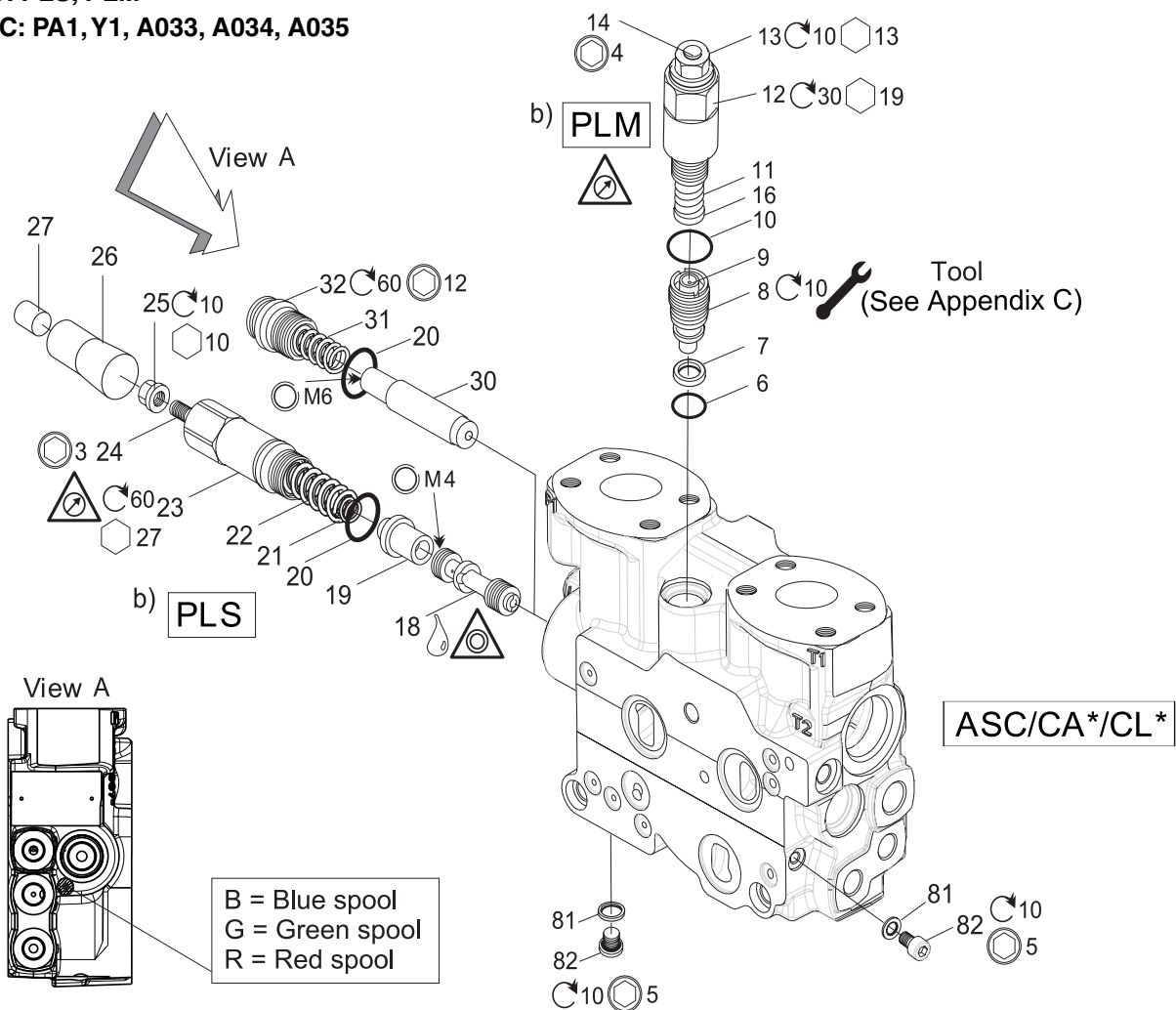


* When needed to achieve the counter pressure level.

See Customer Specification				
Code	Pos	Part	Description	Remarks / Items
35	13	9120092001	Pilot supply, 35 bar, size Green (2)	35, 37, 40, 42 [41], 44, 45, 46, 47
35	13	9120092029	Pilot supply, 35 bar, size Red (1)	35, 37, 40, 42 [41], 44, 45, 46, 47
35	13	9120092516	Conversion kit, R45 to R35	40, 35
45	13	9120092250	Pilot supply, 45 bar, Green (2)	37, 38, 40, 42 [41], 43, 44, 45, 46, 47
45	13	9120092251	Pilot supply, 45 bar, Red (1)	37, 38, 40, 42 [41], 43, 44, 45, 46, 47
45	13	9120092517	Conversion kit, R35 to R45	38, 40, 43
35, 45	13	398000K061	Plug (O-ring) 1/2", BSP	42 [41]
35, 45	13	9120092554	Check valve kit, R	44, 45, 46, 47
R + (A052 + 35)	12 + 13	9120092570	Pilot supply, 35 bar, size Green (2), A052	35, 37, 40, 42 [41], 46, 47
R + (A052 + 35)	12 + 13	9120092571	Pilot supply, 35 bar, size Red (1), A052	35, 37, 40, 42 [41], 46, 47
S	14	9120092004	Internal pilot strainer	48, 49, 50, 51
YS + MG, G	14 + 04	393000K075	Connection plug	52
YS + MU, UU, U	14 + 04	393000K076	Adapter and plug	52, 53
YS + MU, UU, U	14 + 04	-	Nipple 6F4OMXS	53
MP, MP5 + MG, G	24 + 04	6760231	Counter pressure valve, pilot op. BSP	57, 61, 62, 63, 64
MP, MP5 + MU, UU, U	24 + 04	6760237	Counter pressure valve, pilot op. UNF	57, 61, 62, 63, 64
MF5/MF + MG, G	24 + 04	9120092010	Counter pressure valve, fact.set, BSP	15, 56(2x), 57, 58, 61, 62
MF5/MF + MU, UU, U	24 + 04	9120092011	Counter pressure valve, fact.set, UNF	15, 56(2x), 57, 58, 61, 62
MF9/A016 + MG, G	24 + 04	9120092395	Counter pressure valve, fact.set, BSP	15, 56(10x), 57, 58, 61, 62
MF9/A016 + MU, UU, U	24 + 04	9120092286	Counter pressure valve, fact.set, UNF	15, 56(10x), 57, 58, 61, 62
A019 + MG, G	24 + 04	9120092292	Counter pressure valve, fact.set, BSP	15, 57, 58, 61, 62
A019 + MU, UU, U	24 + 04	9120092291	Counter pressure valve, fact.set, UNF	15, 57, 58, 61, 62
S; MF*, A019 + MG, G	14; 24+04	-	Plug VST11/4EDCF	15 and 48
MF*, A019 + MU, UU, U	24 + 04	-	Plug 6HP5ON-S	15
T2B + MG, G	24 + 04	-	Plug VST11EDCF	67
T2B + MU, UU, U	24 + 04	-	Plug 16HP5ON-S	67
T2B + MM	24 + 04	-	Plug VST133x2EDCF	67
PA1 + 050	16 + 17	9120029251	Main relief valve, PLC182-050-20	33 [20] 
PA1 + 063	16 + 17	9120029252	Main relief valve, PLC182-063-20	33 [20] 
PA1 + 080	16 + 17	9120029253	Main relief valve, PLC182-080-20	33 [20] 
PA1 + 100	16 + 17	9120029254	Main relief valve, PLC182-100-20	33 [20] 
PA1 + 125	16 + 17	9120029255	Main relief valve, PLC182-125-20	33 [20] 
PA1 + 140	16 + 17	9120029256	Main relief valve, PLC182-140-20	33 [20] 
PA1 + 160	16 + 17	9120029257	Main relief valve, PLC182-160-20	33 [20] 
PA1 + 175	16 + 17	9120029258	Main relief valve, PLC182-175-20	33 [20] 
PA1 + 190	16 + 17	9120029259	Main relief valve, PLC182-190-20	33 [20] 
PA1 + 210	16 + 17	9120029260	Main relief valve, PLC182-210-20	33 [20] 
PA1 + 230	16 + 17	9120029261	Main relief valve, PLC182-230-20	33 [20] 
PA1 + 240	16 + 17	9120029272	Main relief valve, PLC182-240-20	33 [20] 
PA1 + 250	16 + 17	9120029262	Main relief valve, PLC182-250-20	33 [20] 
PA1 + 260	16 + 17	9120029273	Main relief valve, PLC182-260-20	33 [20] 
PA1 + 280	16 + 17	9120029263	Main relief valve, PLC182-280-20	33 [20] 
PA1 + 300	16 + 17	9120029264	Main relief valve, PLC182-300-20	33 [20] 
PA1 + 330	16 + 17	9120029265	Main relief valve, PLC182-330-20	33 [20] 
PA1 + 350	16 + 17	9120029266	Main relief valve, PLC182-350-20	33 [20] 
PA1	16	6760193	O-ring kit	20(5x)
Y1	16	9120092014	Main relief cavity plugged	36 [20, 34, 35]
Y1	16	393000K804	Seal kit for Y1	20, 34 35

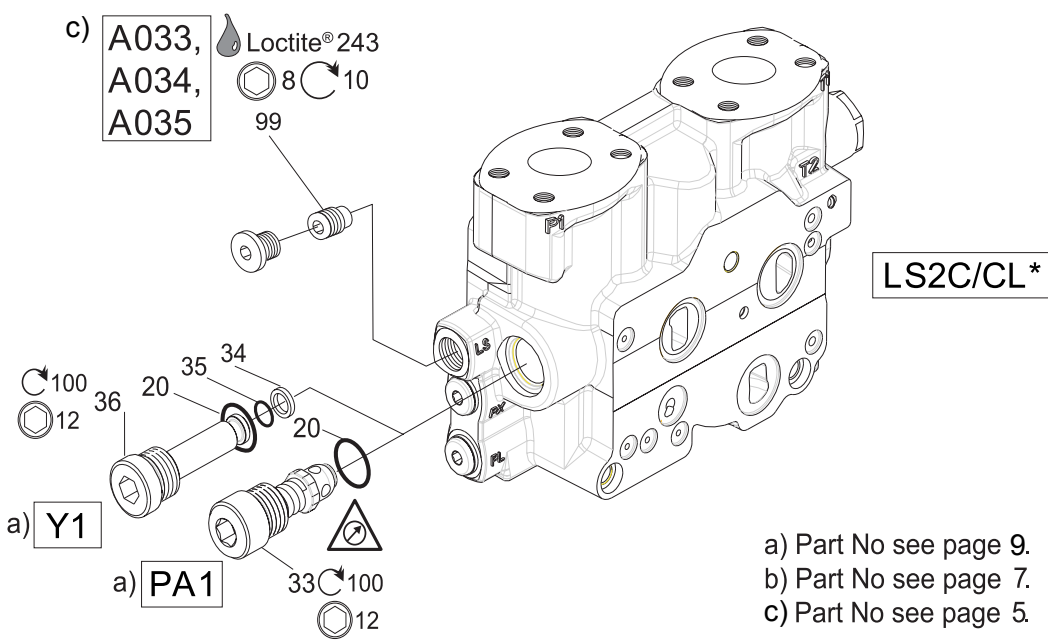
ASC: PLS, PLM

LS2C: PA1, Y1, A033, A034, A035



B = Blue spool
G = Green spool
R = Red spool

ASC/CA*/CL*



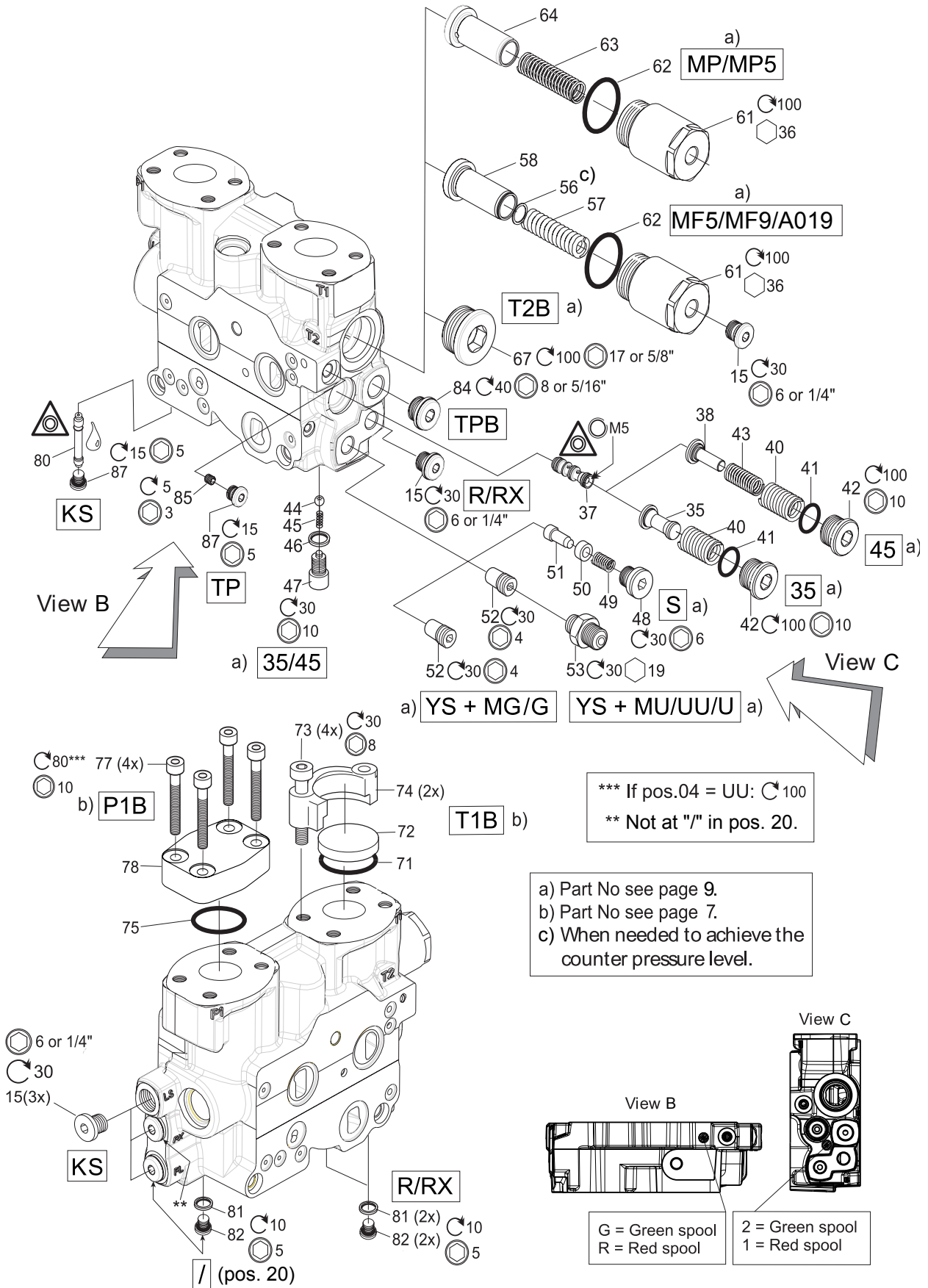
LS2C/CL*

a) Part No see page 9.
b) Part No see page 7.
c) Part No see page 5.

Combine Inlet

See Customer Specification				
Code	Pos	Part	Description	Remarks / Items
0 + ASC/CL*	18 + 15	6760199	Plug kit	20, 30, 31, 32
ASC/CA*/CL*	15	6760017	Plug kit M6x10	81(2x), 82(2x)
ASC/CA*/CL*	15	6760222	Plug kit, M6x10	81(5x), 82(5x)

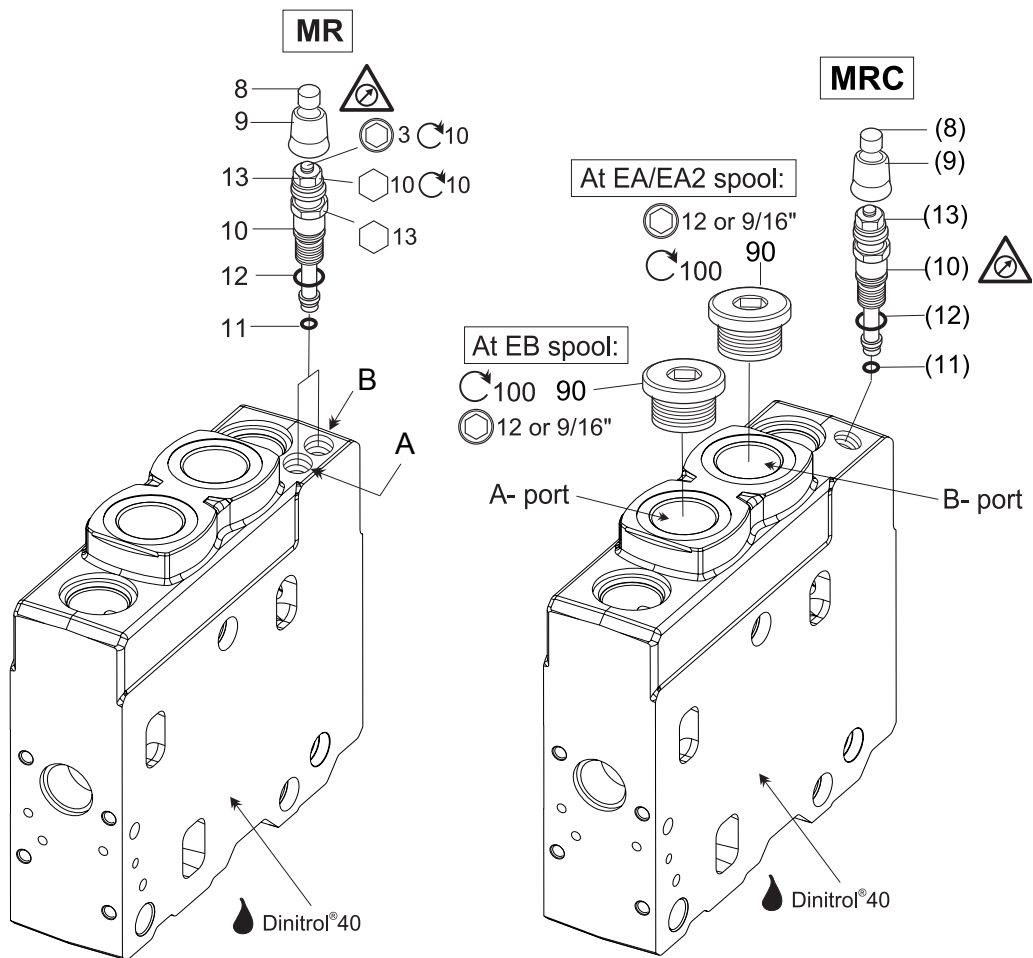
ASC, LS2C (common): T2B, MP, MP5, MF5, MF9, A019, R, RX, 35, 45, S, YS, TP, TPB, P1B, T1B, KS, /



Combine Inlet

See Customer Specification				
TPB + MG, G	28 + 04	-	Plug VSTI3/8EDCF	84
TPB + MU, U	28 + 04	-	Plug 8HP5ON-S	84
KS + ASC/CA*, LS2C/CL*	20 + 15	393000K037	Copy spool, size 'Green'	80, 87
KS + ASC/CA*, LS2C/CL*	20 + 15	393000K437	Copy spool, size 'Red'	80, 87
KS	20	-	Plug VSTI1/8EDCF	87
TP	28	9120092555	Connection, separate pilot tank	85, 87
/	20	6760017	Plug kit, M6x10	81(2x), 82(2x)
/	20	6760222	Plug kit, M6x10	81(5x), 82(5x)
/, KS + MG, G	20 + 04	-	Plug VSTI1/4EDCF	15
/, KS + MU, U	20 + 04	-	Plug 6HP5ON-S	15
R, RX + MG, G	12 + 04	-	Plug VSTI1/4EDCF	15
R, RX + MU, U	12 + 04	-	Plug 6HP5ON-S	15

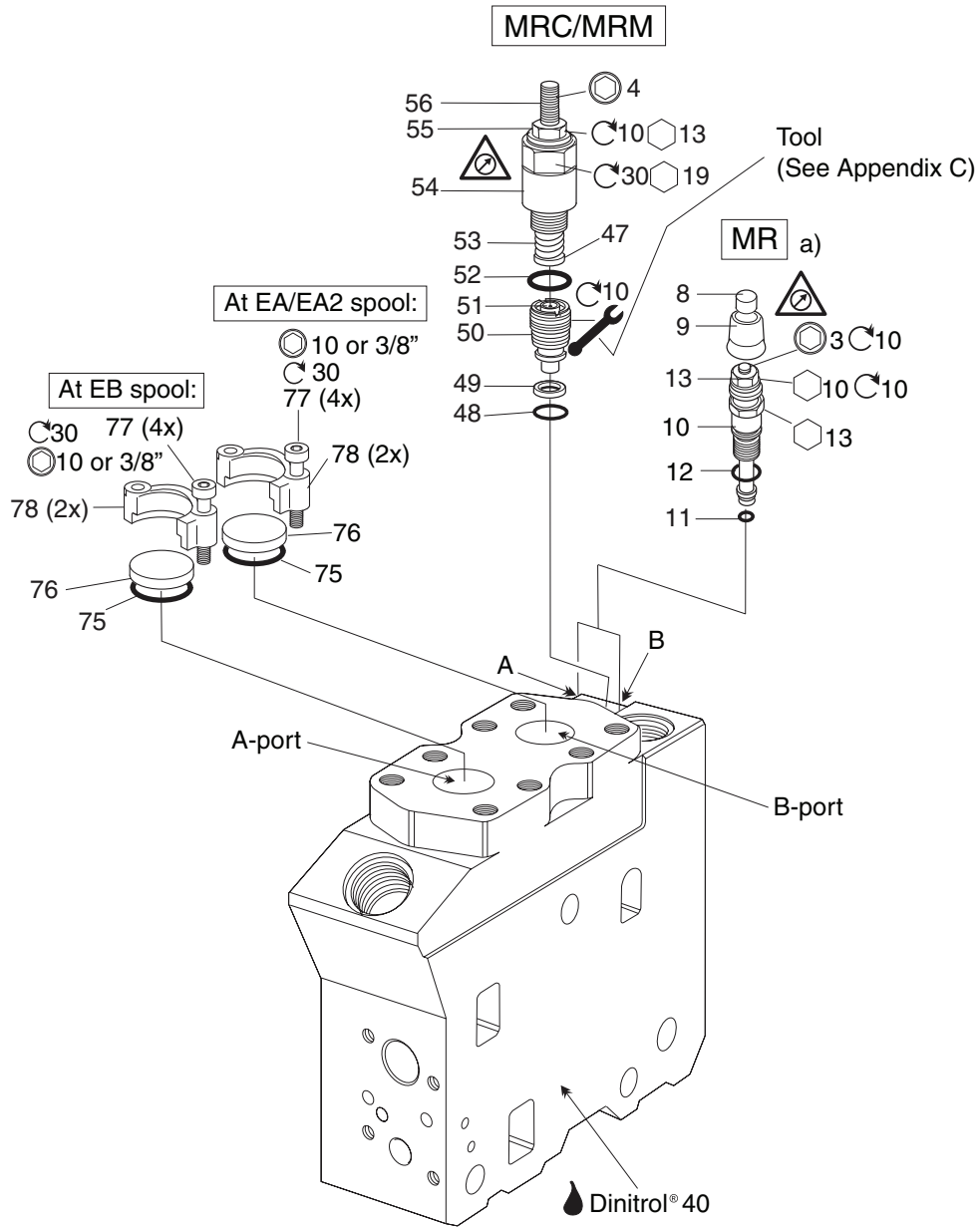
Slim Spool Section S50: MR, MRC, EA, EB



Spool Section

See Customer Specification				
Code	Pos	Part	Description	Remarks / Items
MR, MRC	75	393000K817	Feed reducer, separate/common for A or B port	8, 9, 10 [11, 12, 13]
MR, MRC	75	393000K852	Sealing set	8, 9
MR, MRC	75	393000K831	Seal kit MR, alt MRC	11, 12, 13
EA*, EB + MG, G	60 + 04	-	Plug VSTI3/4EDCF	90 (Not for EA3 spool)
EA*, EB + MU, U	60 + 04	-	Plug 12HP5ON-S	90 (Not for EA3 spool)

Broad Spool Section B72: MR, MRC, MRM, EA, EB

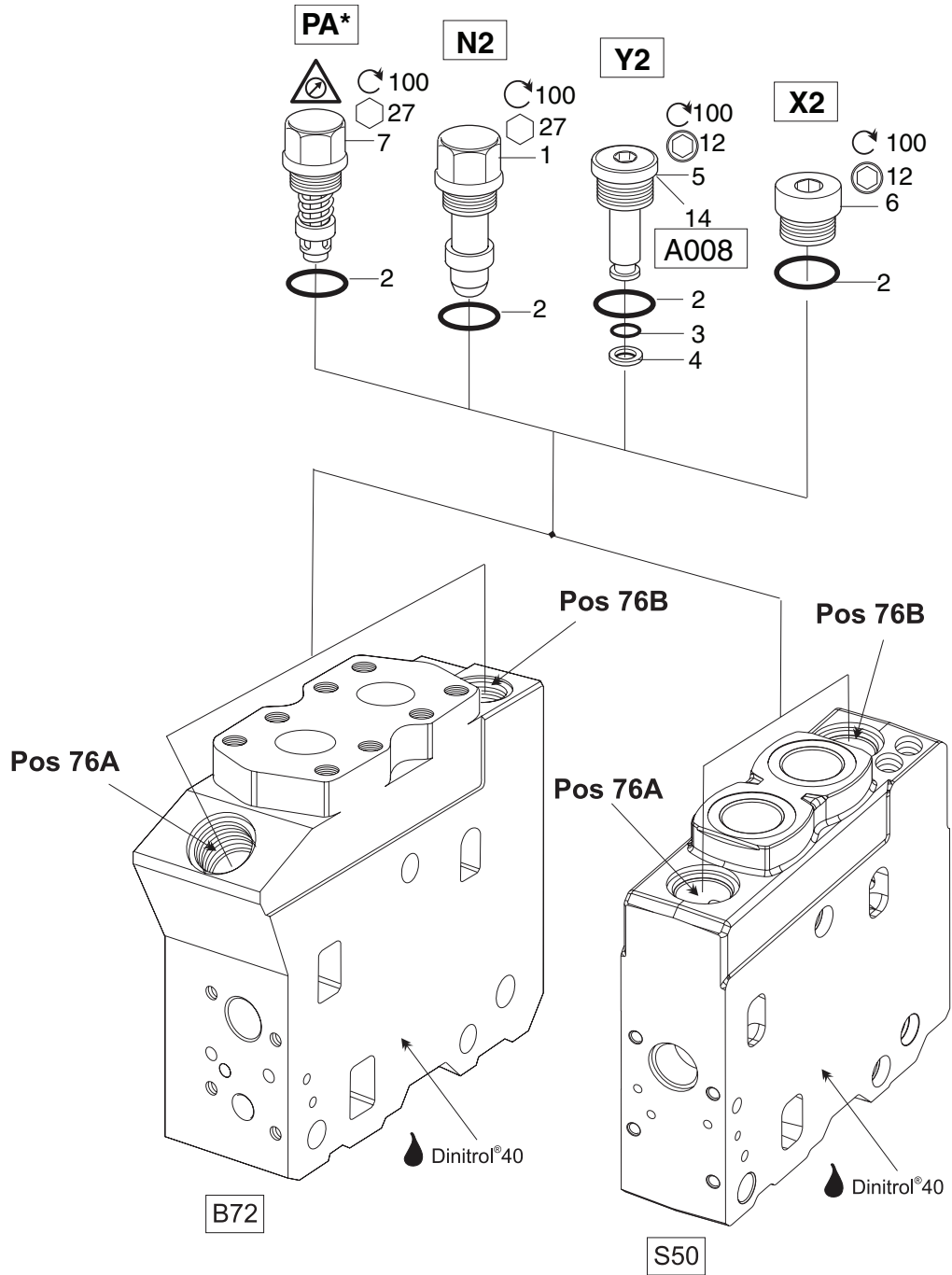


a) Part No see page 15.

Spool Section

























See Customer Specification				
Code	Pos	Part	Description	Remarks / Items
MRC, MRM	75	9120092278	Feed reducer, common	47, 48, 49, 50, 51, 52, 53, 54, 55, 56
MRC, MRM	75	9120092271	Seal kit MRC, MRM	48, 49, 52, 55
EA, EA2, EB + MU, MG	60 + 04	6760201	Work port blocked, Metric	75, 76, 77(4x), 78(2x)
EA, EA2, EB + UU	60 + 04	6760202	Work port blocked, UNF	75, 76, 77(4x), 78(2x)

Spool Section S50, B72 (common): PA, N2, Y2, X2, A008



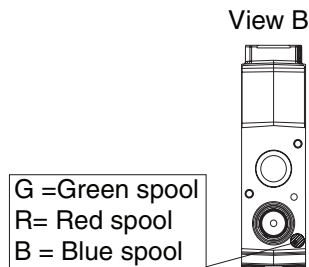
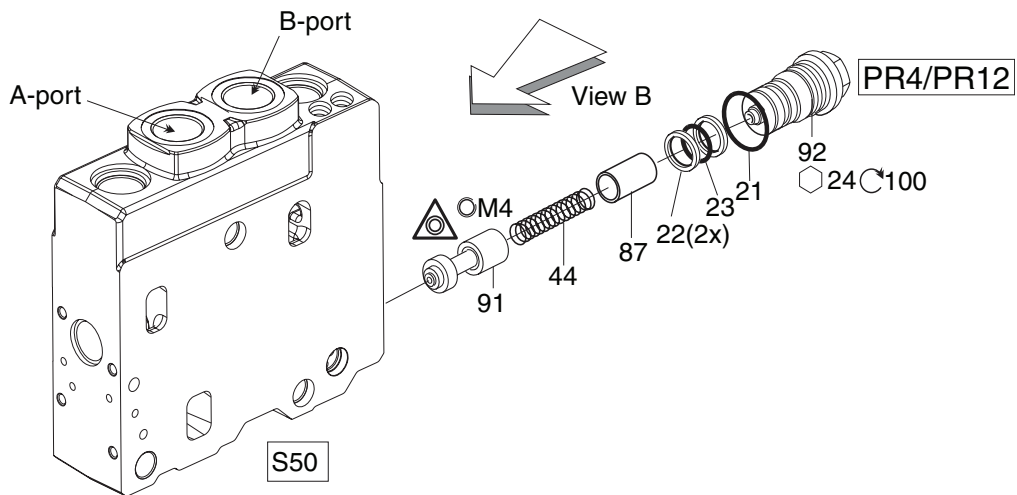
* PA represents a pressure in bar.

Spool Section

See Customer Specification					
Code	Pos	Part #, std	Part #, A002	Description	Items
50 (PA)	76A, 76B	9120029904	9120029954	Port relief valve, PLC185- 50-20, (bar at 20 l/min)	7 [2] 
63 (PA)	76A, 76B	9120029905	9120029955	Port relief valve, PLC185- 63-20	7 [2] 
80 (PA)	76A, 76B	9120029906	9120029956	Port relief valve, PLC185- 80-20	7 [2] 
100 (PA)	76A, 76B	9120029907	9120029957	Port relief valve, PLC185-100-20	7 [2] 
125 (PA)	76A, 76B	9120029908	9120029958	Port relief valve, PLC185-125-20	7 [2] 
140 (PA)	76A, 76B	9120029909	9120029959	Port relief valve, PLC185-140-20	7 [2] 
160 (PA)	76A, 76B	9120029910	9120029960	Port relief valve, PLC185-160-20	7 [2] 
175 (PA)	76A, 76B	9120029911	9120029961	Port relief valve, PLC185-175-20	7 [2] 
190 (PA)	76A, 76B	9120029912	9120029962	Port relief valve, PLC185-190-20	7 [2] 
210 (PA)	76A, 76B	9120029913	9120029963	Port relief valve, PLC185-210-20	7 [2] 
230 (PA)	76A, 76B	9120029914	9120029964	Port relief valve, PLC185-230-20	7 [2] 
240 (PA)	76A, 76B	9120029924	9120029974	Port relief valve, PLC185-240-20	7 [2] 
250 (PA)	76A, 76B	9120029915	9120029965	Port relief valve, PLC185-250-20	7 [2] 
260 (PA)	76A, 76B	9120029923	9120029973	Port relief valve, PLC185-260-20	7 [2] 
270 (PA)	76A, 76B	9120029926	9120029976	Port relief valve, PLC185-270-20	7 [2] 
280 (PA)	76A, 76B	9120029916	9120029966	Port relief valve, PLC185-280-20	7 [2] 
300 (PA)	76A, 76B	9120029917	9120029967	Port relief valve, PLC185-300-20	7 [2] 
310 (PA)	76A, 76B	6760609	-	Port relief valve, PLC185-310-20	7 [2] 
320 (PA)	76A, 76B	6760610	-	Port relief valve, PLC185-320-20	7 [2] 
330 (PA)	76A, 76B	9120029918	9120029968	Port relief valve, PLC185-330-20	7 [2] 
350 (PA)	76A, 76B	9120029919	9120029969	Port relief valve, PLC185-350-20	7 [2] 
365 (PA)	76A, 76B	6760319	-	Port relief valve, PLC185-365-20	7 [2] 
380 (PA)	76A, 76B	6760874	-	Port relief valve, PLC185-380-20	7 [2] 
400 (PA)	76A, 76B	6760875	-	Port relief valve, PLC185-400-20	7 [2] 

See Customer Specification				
Code	Pos	Part	Description	Remarks / Items
N2	76A, 76B	9120092030	Check valve	1 [2]
Y2	76A, 76B	9120100122	Port relief cavity plugged	5 [2, 3, 4]
Y2, A008	76A, 76B	393000K804	Seal kit Y2	2, 3, 4
X2	76A, 76B	9120099682	Plug X2	6 [2]
PA, N2, X2	76A, 76B	6760193	Seal kit PA, N2, X2	2(5x)
A008	76A, 76B	6760519	Y2 plug with small leakage	14 [2, 3, 4]

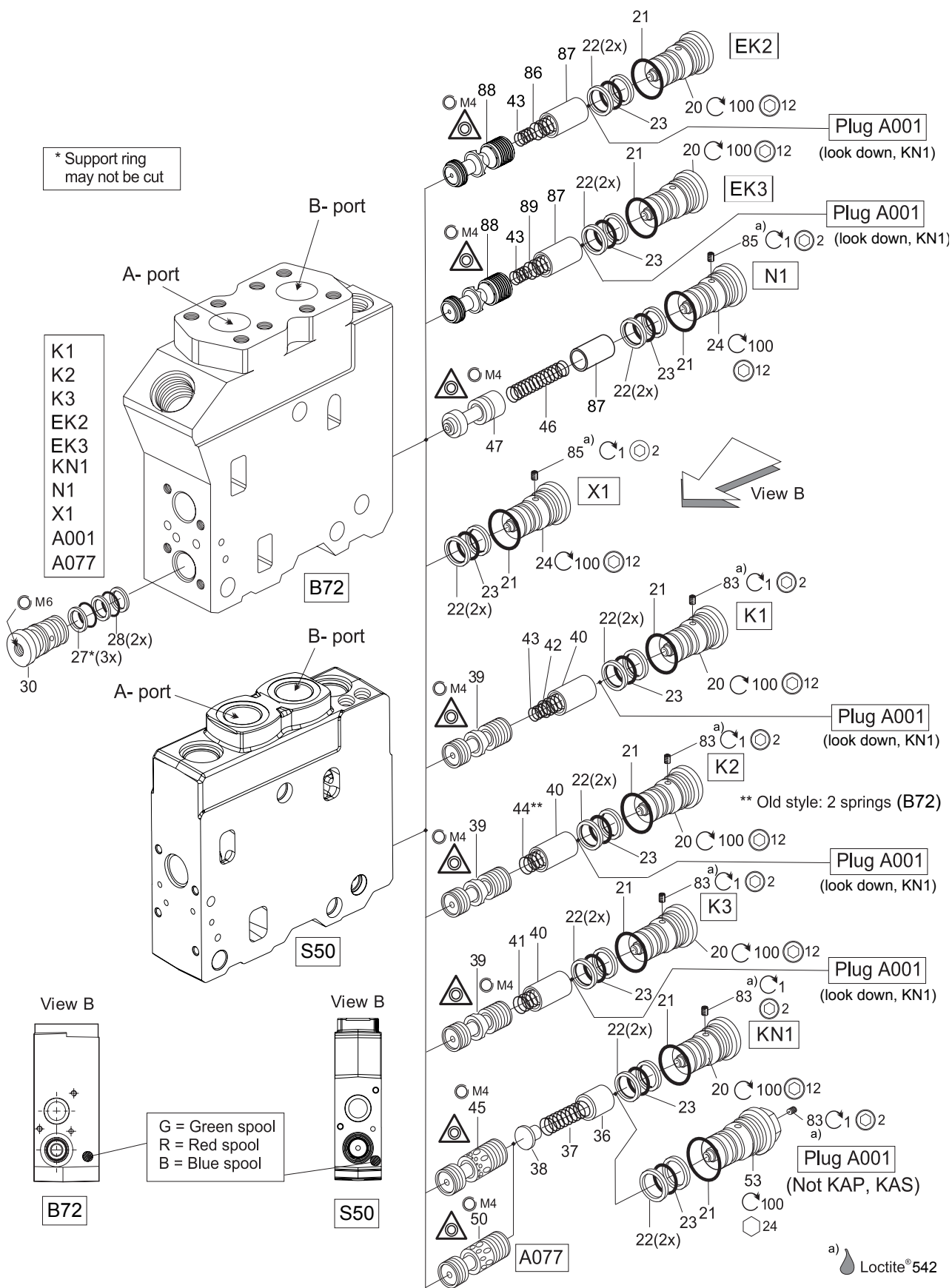
Slim Spool Section S50: PR4



Spool Section

See Customer Specification				
Code	Pos	Part	Description	Remarks / Items
PR4/PR12	66	6763208	Compensator, size '1', (Red)	87, 91
PR4/PR12	66	6763209	Compensator, size '2', (Green)	87, 91
PR4/PR12	66	6763210	Compensator, size '3', (Blue)	87, 91
PR4/PR12	66	6763211	Plug, BSP	92 [21, 22(2x), 23]
PR4/PR12	66	6763212	Plug, UNF	92 [21, 22(2x), 23]
PR4/PR12	66	9120092482	Seal kit	21, 22(2x), 23
PR4	66	6760786	Spring kit PR4	44
PR12	66	6760787	Spring kit PR12	44

S50, B72 (common): X1, N1, K1, K2, K3, EK2, EK3, KN1, A001, A077

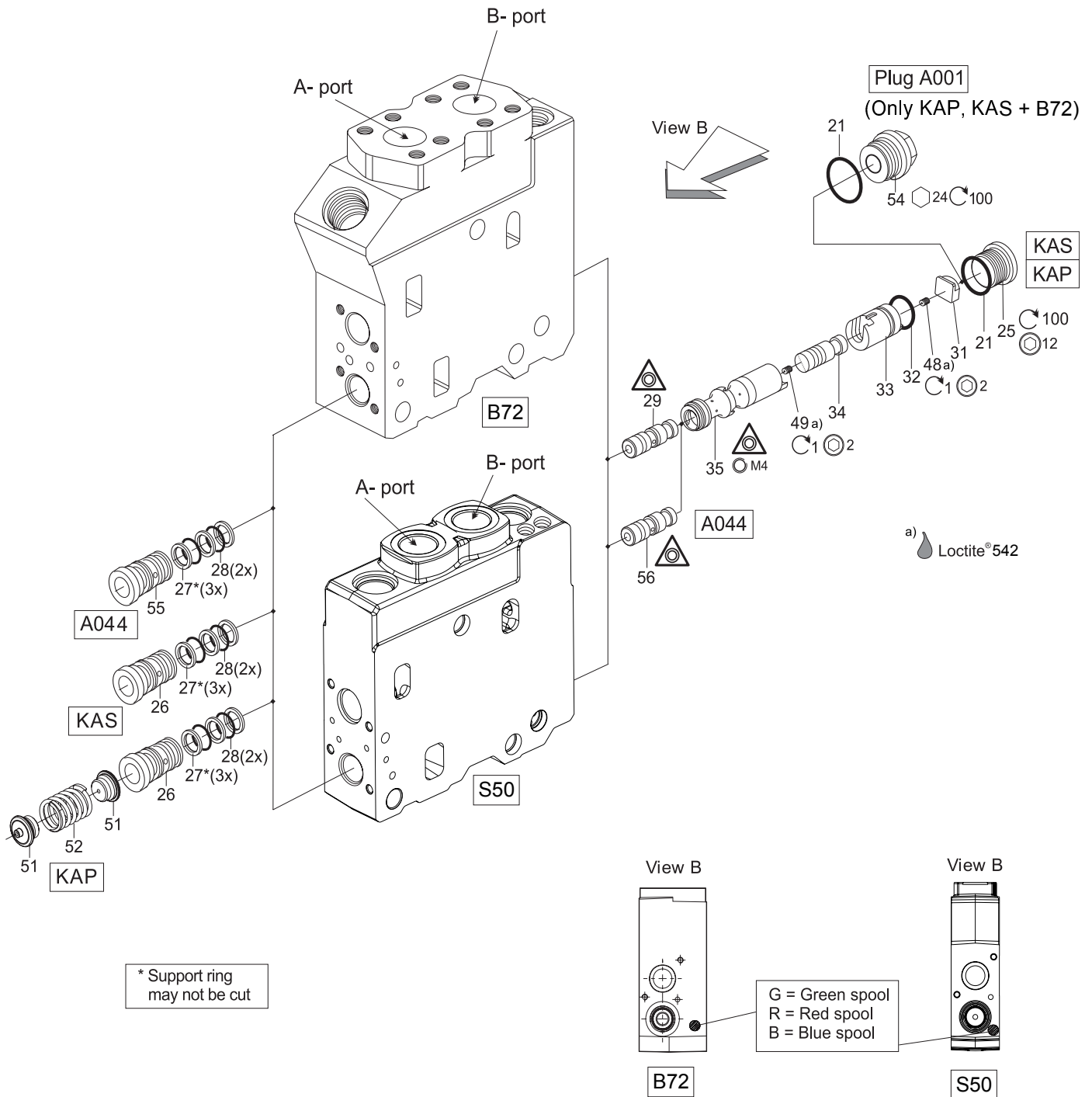


See Customer Specification				
Code	Pos	Part	Description	Remarks / Items
K1, K2, K3, EK2, EK3, KN1, N1, X1, A077; A001	66; 74	6760209	Plug for compensators	30 [27(3x), 28(2x)]
	66; 74	9120092355	Seal kit	27(3x), 28(2x)
X1, N1	66	9120092478	Plug, valve without compensator	24 [21, 22(2x), 23], 85
K1, K2, K3, KN1, A077 + 0,6	66 + 67	9120092479	Plug w. orifice \varnothing 0.6 mm assembled	20 [21, 22(2x), 23], 83
K1, K2, K3, EK*, KN1, A077 + 0.8	66 + 67	9120092480	Plug w. orifice \varnothing 0.8 mm assembled	20 [21, 22(2x), 23]
K1, K2, K3, KN1, A077 + 1,0	66 + 67	9120092481	Plug w. orifice \varnothing 1.0 mm assembled	20 [21, 22(2x), 23], 83
		9120092482	Seal kit	21, 22(2x), 23
N1	66	9120092379	Feeding check valve, size 'Red'	46, 47, 87
N1	66	9120092380	Feeding check valve, size 'Green'	46, 47, 87
N1	66	9120092381	Feeding check valve, size 'Blue'	46, 47, 87
N1	66	6760789	Spring kit, N1	46
K1	66	9120092062	Compensator K1, size '1', (Red)	39, 40, 42, 43
K1	66	9120092058	Compensator K1, size '2', (Green)	39, 40, 42, 43
K1	66	9120092054	Compensator K1, size '3', (Blue)	39, 40, 42, 43
K1	66	6760785	Spring kit, K1	42, 43
K2	66	9120092063	Compensator K2, size '1', (Red)	39, 40, 44
K2	66	9120092059	Compensator K2, size '2', (Green)	39, 40, 44
K2	66	9120092055	Compensator K2, size '3', (Blue)	39, 40, 44
K2	66	6760786	Spring kit, K2	44
K3	66	9120092064	Compensator K3, size '1', (Red)	39, 40, 41
K3	66	9120092060	Compensator K3, size '2', (Green)	39, 40, 41
K3	66	9120092056	Compensator K3, size '3', (Blue)	39, 40, 41
K3	66	6760787	Spring kit, K3	41
KN1	66	9120092595	Compensator KN1, size '1', (Red)	36, 37, 38, 45
KN1	66	9120092596	Compensator KN1, size '2', (Green)	36, 37, 38, 45
KN1	66	9120092597	Compensator KN1, size '3', (Blue)	36, 37, 38, 45
KN1, A077	66	6760788	Spring kit, KN1, A077	37
EK2	66	6761064	Compensator EK2, size '1', (Red)	43, 86, 87, 88
EK2	66	6761065	Compensator EK2, size '2', (Green)	43, 86, 87, 88
EK2	66	6761066	Compensator EK2, size '3', (Blue)	43, 86, 87, 88
EK2	66	6761063	Spring kit, EK2	43, 86
EK3	66	6761068	Compensator EK3, size '1', (Red)	43, 87, 88, 89
EK3	66	6761069	Compensator EK3, size '2', (Green)	43, 87, 88, 89
EK3	66	6761070	Compensator EK3, size '3', (Blue)	43, 87, 88, 89
EK3	66	6761067	Spring kit, EK3	43, 89
B72 + PC, EC*	47B + 50	6760210	Seal kit	21, 65** (65: see page 26)
A001 + 0,6 a)	74 + 67	9120092535	Plug w. orifice \varnothing 0.6 mm assy, UNF	53 [21, 22(2x), 23], 83
A001 + 0,8	74 + 67	9120092505	Plug w. orifice \varnothing 0.8 mm assy, UNF	53 [21, 22(2x), 23], 83
A001 + 1,0 a)	74 + 67	9120092545	Plug w. orifice \varnothing 1.0 mm assy, UNF	53 [21, 22(2x), 23], 83
A001 + 0,6 a)	74 + 67	9120092531	Plug w. orifice \varnothing 0.6 mm assy, BSP	53 [21, 22(2x), 23], 83
A001 + 0,8	74 + 67	9120092532	Plug w. orifice \varnothing 0.8 mm assy, BSP	53 [21, 22(2x), 23], 83
A001 + 1,0 a)	74 + 67	9120092533	Plug w. orifice \varnothing 1.0 mm assy, BSP	53 [21, 22(2x), 23], 83
A077	66	6760453	Compensator A077, size '3', (Blue)	36, 37, 38, 50

a) No for Slim spool section S50.

Spool Section

S50, B72 (common): KAP, KAS, A001, A044

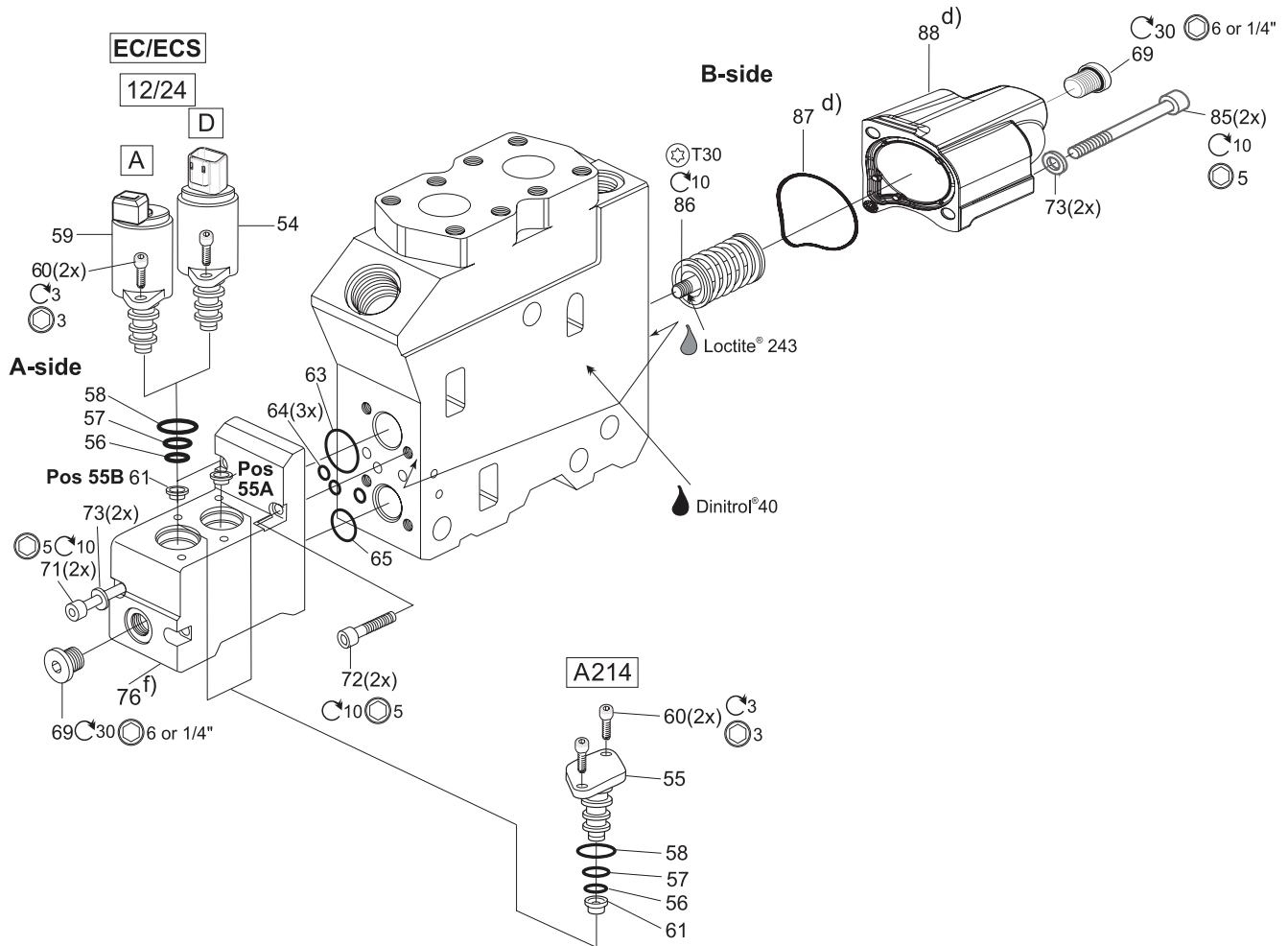


Spool Section

See Customer Specification				
Code	Pos	Part	Description	Remarks / Items
KAS	66	6760564	Compensator KAS	26 [27(3x), 28(2x)], 29, 35, 49
KAP, KAS + 0,6	a) 66 + 67	6760749	KAP, KAS damping kit Ø0.6 mm	25 [21], 26 [27(3x), 28(2x)], 29, 31, 32, 33, 34, 35, 48, 49
KAP, KAS + 0,8	66 + 67	6760750	KAP, KAS damping kit Ø0.8 mm	
KAP, KAS + 1,0	a) 66 + 67	6760751	KAP, KAS damping kit Ø1.0 mm	
KAP, KAS + /	66 + 67	6760752	KAP, KAS, not damping kit	25 [21], 26 [27(3x), 28(2x)], 29, 31, 32, 33, 34, 35, 49
KAP	66	6760557	Spring set for KAP	51(2x), 52
KAP, KAS; A044	66; 74	6760754	Seal kit KAP, KAS, A044	21, 27(3x), 28(2x), 32
A044	74	6763237	Compensator A044	35, 49, 55 [27(3x), 28(2x)], 56
A044 + 0,8	74 + 67	6763236	Compensator A044, damping kit Ø0.8	25 [21], 31, 32, 33, 34, 35, 48, 49, 55 [27(3x), 28(2x)], 56
KAP, KAS, A044	66, 74	6763174	Plug (O-ring) 3/4", BSP	25 [21]
KAP, KAS, A044 + PC, EC*	66 + 50	6760210	Seal kit	21, 65** (65: see page 26)
A001 + KAP, KAS	74 + 66	9120092044	Plug kit A001, UNF	21, 54

a) No for Slim spool section S50.

Broad Spool Section B72: EC, ECS, A, D, 12, 24, A214



Example:
 Pilot restriction \varnothing 1.0 mm
 Marked with three spots.

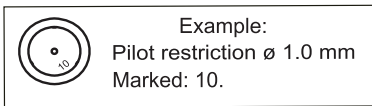
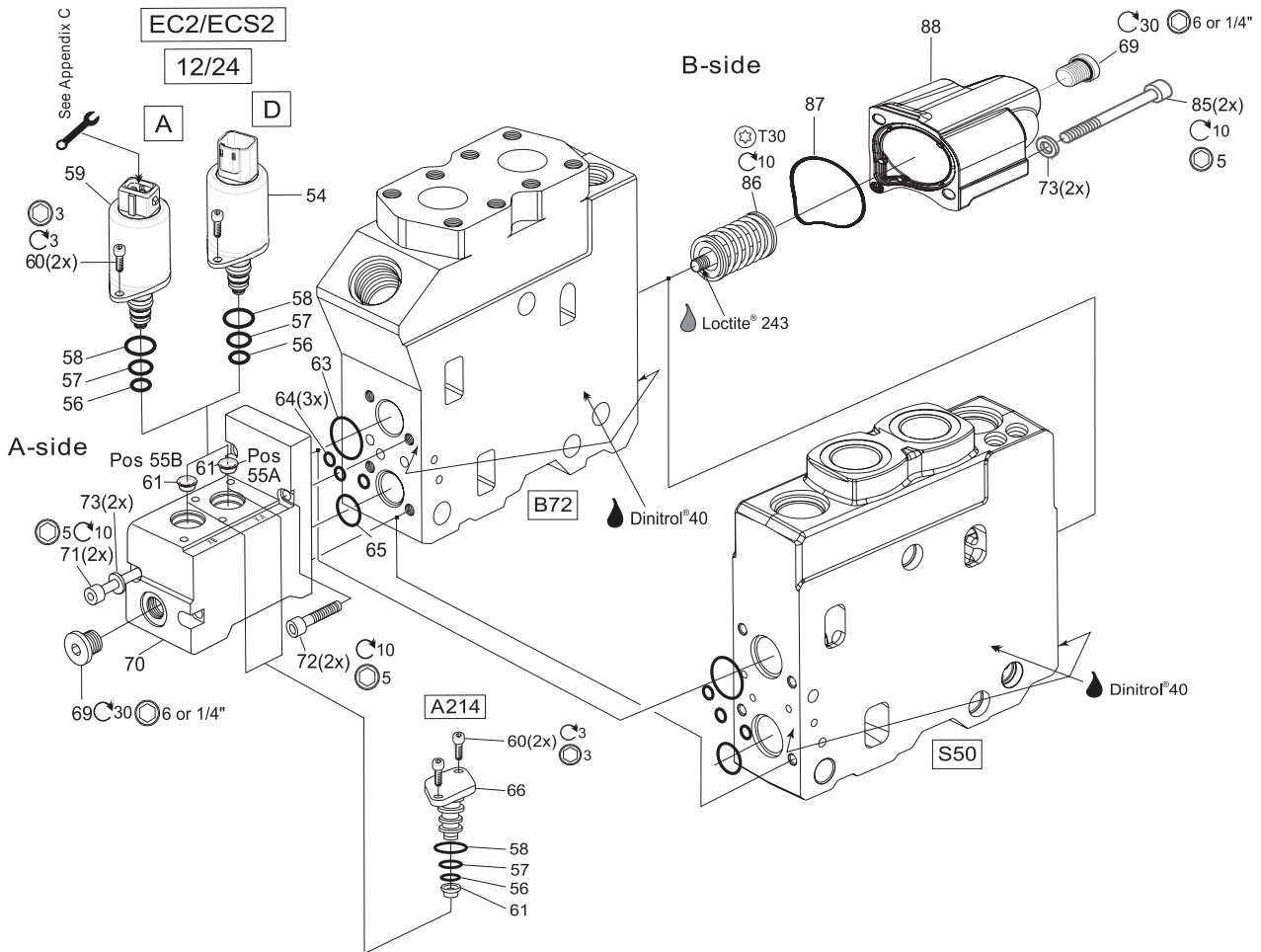
d) For new spring cap, from serial no. 1003...
 f) For new EC cap, from serial no. 1205...

For caps old style, see Appendix B.

See Customer Specification				
Code	Pos	Part	Description	Remarks / Items
EC, ECS + MG	50 + 04	9120092334	Cap kit EC, A-side, BSP	63, 64(3x), 65, 69, 71(2x), 72(2x), 73(2x), 76
EC, ECS + MU, UU	50 + 04	9120092337	Cap kit EC, A-side, UNF	63, 64(3x), 65, 69, 71(2x), 72(2x), 73(2x), 76
EC, ECS + MG + KAP	50 + 04 + 66	6760553	Cap kit EC for KAP, A-side, BSP	63, 64(3x), 65, 69, 71(2x), 72(2x), 73(2x), 76
EC, ECS + MU, UU + KAP	50 + 04 + 66	6760555	Cap kit EC for KAP, A-side, UNF	63, 64(3x), 65, 69, 71(2x), 72(2x), 73(2x), 76
EC + 12 + A	50 + 05 + 56	393000M012	PVC25, 12 VDC	59 [56, 57, 58], 60(2x) Man. override, air bleed, AMP
EC + 24 + A	50 + 05 + 56	393000M024	PVC25, 24 VDC	59 [56, 57, 58], 60(2x) Man. override, air bleed, AMP
ECS + 12 + A	50 + 05 + 56	393000N012	PVC25, 12 VDC	59 [56, 57, 58], 60(2x) No man. override, no air bleed, AMP
ECS + 24 + A	50 + 05 + 56	393000N024	PVC25, 24 VDC	59 [56, 57, 58], 60(2x) No man. override, no air bleed, AMP
ECS + 12 + D	50 + 05 + 56	393000D012	PVC25, 12 VDC	54 [56, 57, 58], 60(2x) No man. override, no air bleed, Deutsch
ECS + 24 + D	50 + 05 + 56	393000D024	PVC25, 24 VDC	54 [56, 57, 58], 60(2x) No man. override, no air bleed, Deutsch
EC, ECS	50	393000K813	Seal kit PVC25	56, 57, 58
2,0	55A/55B	6760090	Pilot orifice ø2.0, 9 spots	61(5x)
1,5	55A/55B	6760089	Pilot orifice ø1.5, 8 spots	61(5x)
1,4	55A/55B	6760088	Pilot orifice ø1.4, 7 spots	61(5x)
1,3	55A/55B	6760087	Pilot orifice ø1.3, 6 spots	61(5x)
1,2	55A/55B	6760086	Pilot orifice ø1.2, 5 spots	61(5x)
1,1	55A/55B	6760085	Pilot orifice ø1.1, 4 spots	61(5x)
1,0	55A/55B	6760084	Pilot orifice ø1.0, 3 spots	61(5x)
0,9	55A/55B	6760083	Pilot orifice ø0.9, 10 spots	61(5x)
0,8	55A/55B	6760082	Pilot orifice ø0.8, 2 spots	61(5x)
0,7	55A/55B	6760081	Pilot orifice ø0.7, 12 spots	61(5x)
0,6	55A/55B	6760080	Pilot orifice ø0.6, 1 spot	61(5x)
EC, ECS + MG	50 + 04	6760554	**Cap kit EC, ECS, B-side, BSP	69, 73(2x), 85(2x), 87, 88
EC, ECS + MU, UU	50 + 04	6760556	**Cap kit EC, ECS, B-side, UNF	69, 73(2x), 85(2x), 87, 88
EC, ECS + MG	50 + 04	6760224	Seal kit EC, ECS, BSP	63, 64(3x), 65, 69(2x), 87
EC, ECS + MU, UU	50 + 04	6760223	Seal kit EC, ECS, UNF	63, 64(3x), 65, 69(2x), 87
EC, ECS	50	9120092015	Spring kit std, (6.5-20) bar	86
A306	59	9120091052	Spring kit A306, (6.5-26) bar	86
EC, ECS + MG, MM	50 + 04	-	Plug VST11/4EDCF	69
EC, ECS + MU, UU	50 + 04	-	Plug 6HP5ON-S	69
A214 + EC, ECS	89A/89B + 50	393000K984	Blocking plug PVC25	55 [56, 57, 58], 60(2x), 61

** No possibility for spool stroke limitation (EC* spool actuators).

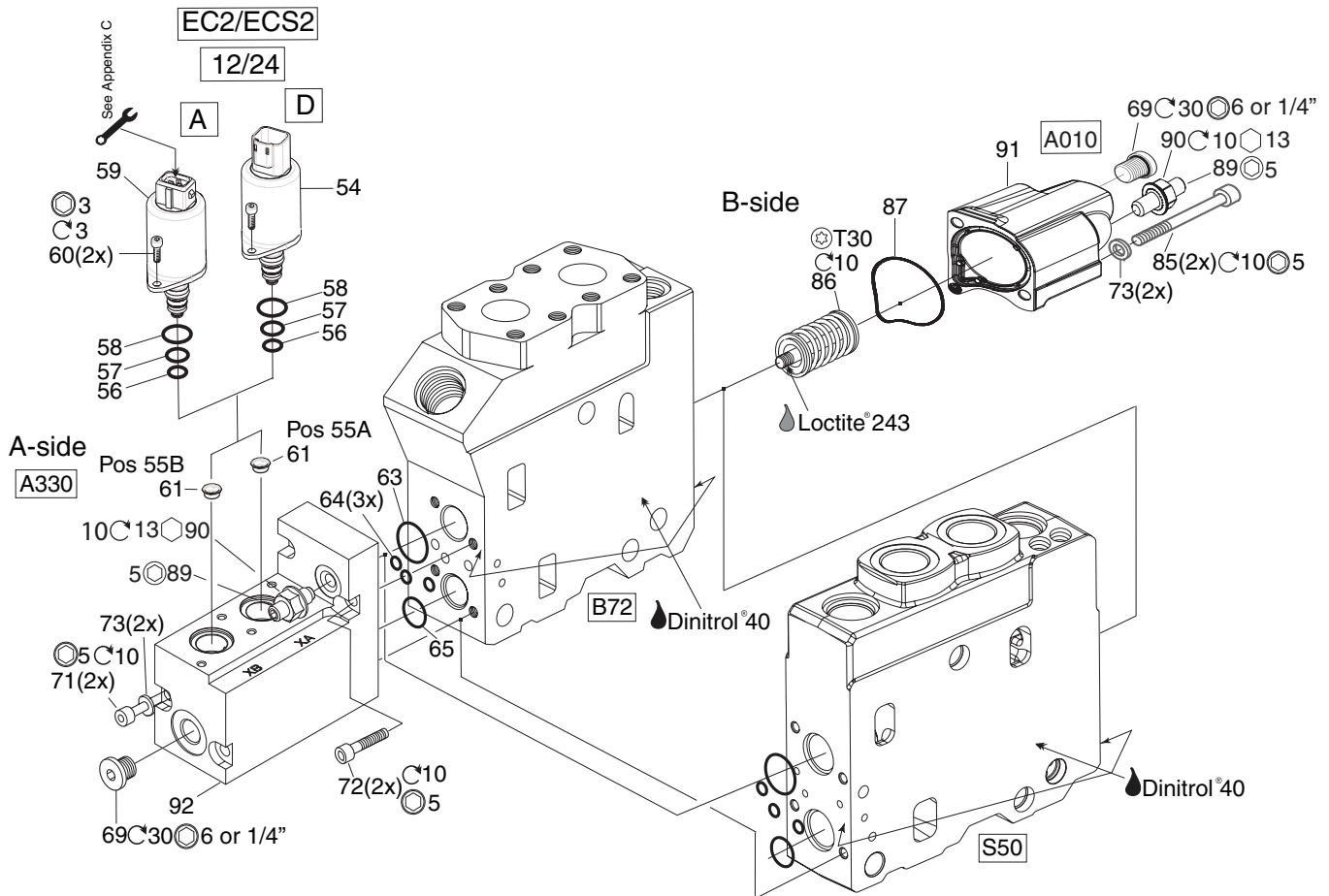
Spool Section S50, B72 (common): EC2, ECS2, A, D, 12, 24, A214

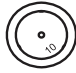


See Customer Specification				
Code	Pos	Part	Description	Remarks / Items
EC2, ECS2 + MG, G	50 + 04	6760807	Cap kit EC2/ECS2, A-side, BSP	63, 64(3x), 65, 69, 70, 71(2x), 72(2x), 73(2x)
EC2, ECS2 + MU, UU, U	50 + 04	6760808	Cap kit EC2/ECS2, A-side, UNF	63, 64(3x), 65, 69, 70, 71(2x), 72(2x), 73(2x)
EC2, ECS2 + MG, G	50 + 04	6760554	**Cap kit EC*, B-side, BSP	69, 73(2x), 85(2x), 87, 88
ECS, ECS2 + MU, UU, U	50 + 04	6760556	**Cap kit EC*, B-side, UNF	69, 73(2x), 85(2x), 87, 88
EC2 + 12 + A	50 + 05 + 56	6763328	Solenoid valve, PS25MO, 12 VDC	59 [56, 57, 58], 60(2x) Man. override.
EC2 + 24 + A	50 + 05 + 56	6763327	Solenoid valve, PS25MO, 24 VDC	59 [56, 57, 58], 60(2x) Man. override.
ECS2 + 12 + A	50 + 05 + 56	6763059	Solenoid valve, PS25, 12 VDC	59 [56, 57, 58], 60(2x) No Man. override.
ECS2 + 24 + A	50 + 05 + 56	6763060	Solenoid valve, PS25, 24 VDC	59 [56, 57, 58], 60(2x) No Man. override.
ECS2 + 12 + D	50 + 05 + 56	6763061	Solenoid valve, PS25, 12 VDC	54 [56, 57, 58], 60(2x) No Man. override.
ECS2 + 24 + D	50 + 05 + 56	6763062	Solenoid valve, PS25, 24 VDC	54 [56, 57, 58], 60(2x) No Man. override.
EC2, ECS2	50	6760507	Seal kit PS25	56(5x), 57(5x), 58(5x)
EC2, ECS2 + 2,0	50 + 55A/55B	398000K603	Pilot orifice ϕ 2.0, marked 2	61(5x)
EC2, ECS2 + 1,5	50 + 55A/55B	6763677	Pilot orifice ϕ 1.5, marked 15	61(5x)
EC2, ECS2 + 1,3	50 + 55A/55B	6763676	Pilot orifice ϕ 1.3, marked 13	61(5x)
EC2, ECS2 + 1,2	50 + 55A/55B	6763675	Pilot orifice ϕ 1.2, marked 12	61(5x)
EC2, ECS2 + 1,1	50 + 55A/55B	6763674	Pilot orifice ϕ 1.1, marked 11	61(5x)
EC2, ECS2 + 1,0	50 + 55A/55B	6763673	Pilot orifice ϕ 1.0, marked 10	61(5x)
EC2, ECS2 + 0,9	50 + 55A/55B	6763672	Pilot orifice ϕ 0.9, marked 9	61(5x)
EC2, ECS2 + 0,8	50 + 55A/55B	6763671	Pilot orifice ϕ 0.8, marked 8	61(5x)
EC2, ECS2 + 0,7	50 + 55A/55B	6763670	Pilot orifice ϕ 0.7, marked 7	61(5x)
EC2, ECS2 + 0,6	50 + 55A/55B	6763669	Pilot orifice ϕ 0.6, marked 6	61(5x)
EC2, ECS2 + MG, G	50 + 04	6760224	Seal kit EC2/ECS2, BSP	Pls see page 27
EC2, ECS2 + MU, UU, U	50 + 04	6760223	Seal kit ECS/ECS2, UNF	Pls see page 27
EC2, ECS2	50	9120092015	Spring kit std, (6.5-20) bar	86
A306	59	9120091052	Spring kit A306, (6.5-26) bar	86
EC* + MG, G; EC* + MM	50 + 04	-	Plug VST11/4EDCF	69
EC2, ECS2 + MU, UU, U	50 + 04	-	Plug 6HP5ON-S	69
A214 + EC2, ECS2	89A/89B + 50	6761087	Blocking plug PS25	66 [56, 57, 58], 60(2x), 61

** No possibility for spool stroke limitation (EC* spool actuators).

Spool Section S50, B72 (common): A010, A330 (EC2, ECS2), A, D, 12, 24



 Example:
 Pilot restriction Ø1,0 mm
 Marked: 10

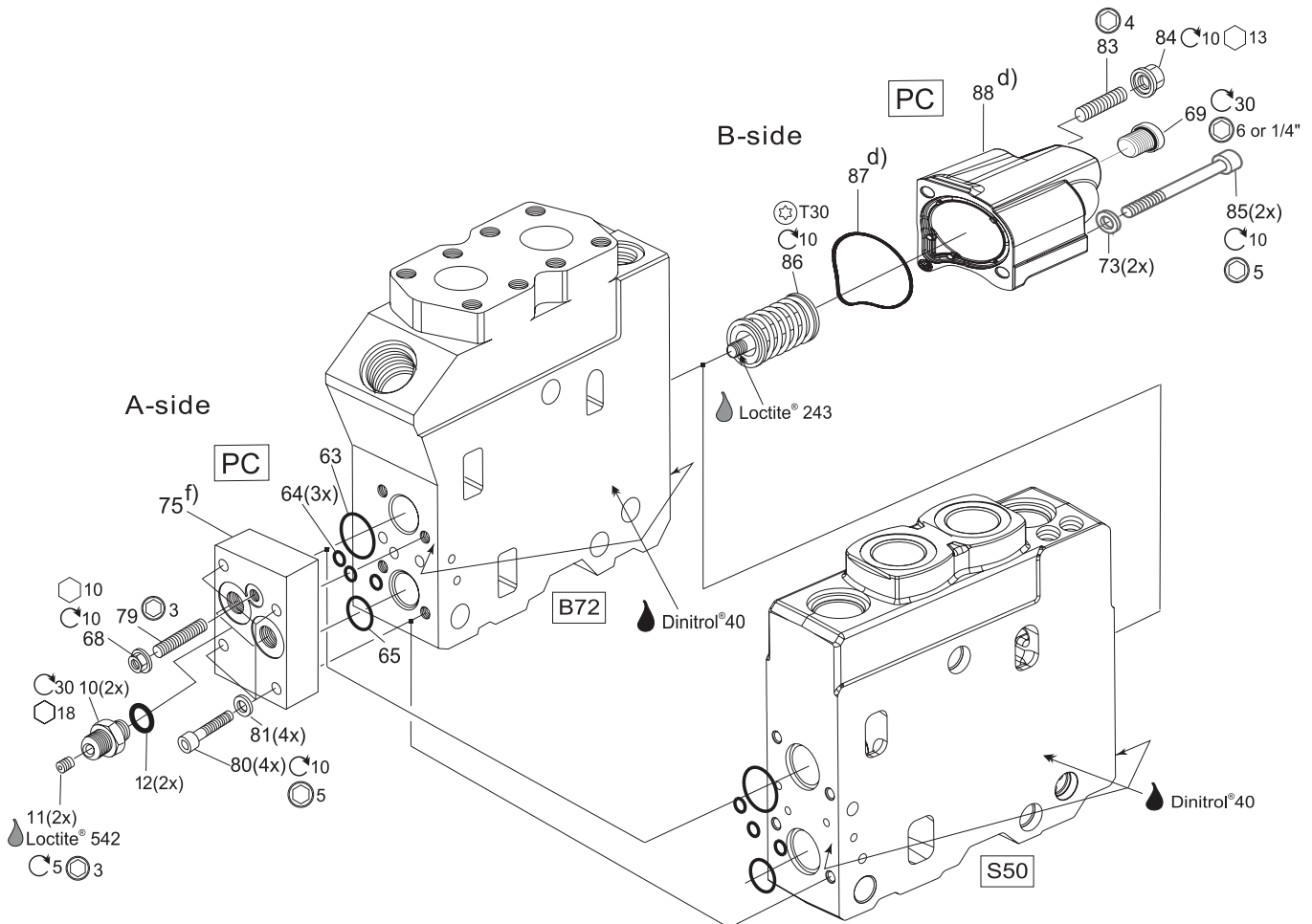
Spool Actuators

See Customer Specification				
Code	Pos	Part	Description	Remarks / Items
A330 + MG, G	50+59+04	6763497	Cap kit EC2/ECS2, A-side, BSP	63, 64(3x), 65, 69, 71(2x), 72(2x), 73(2x), 89, 90, 92
A330 + MU, UU, U	50+59+04	6763498	Cap kit EC2/ECS2, A-side, UNF	63, 64(3x), 65, 69, 71(2x), 72(2x), 73(2x), 89, 90, 92
A010 + MG, G	50+59+04	9120092016	Cap kit EC*, B-side, BSP	69, 73(2x), 85(2x), 87, 89, 90, 91
A010 + MU, UU, U	50+59+04	9120092017	Cap kit EC*, B-side, UNF	69, 73(2x), 85(2x), 87, 89, 90, 91

Also see page 29 for other kit

Spool Actuators

Spool Section S50, B72 (common): PC



d) For new spring cap, from serial no. 1003...

f) For new PC cap, from serial no. 1205...

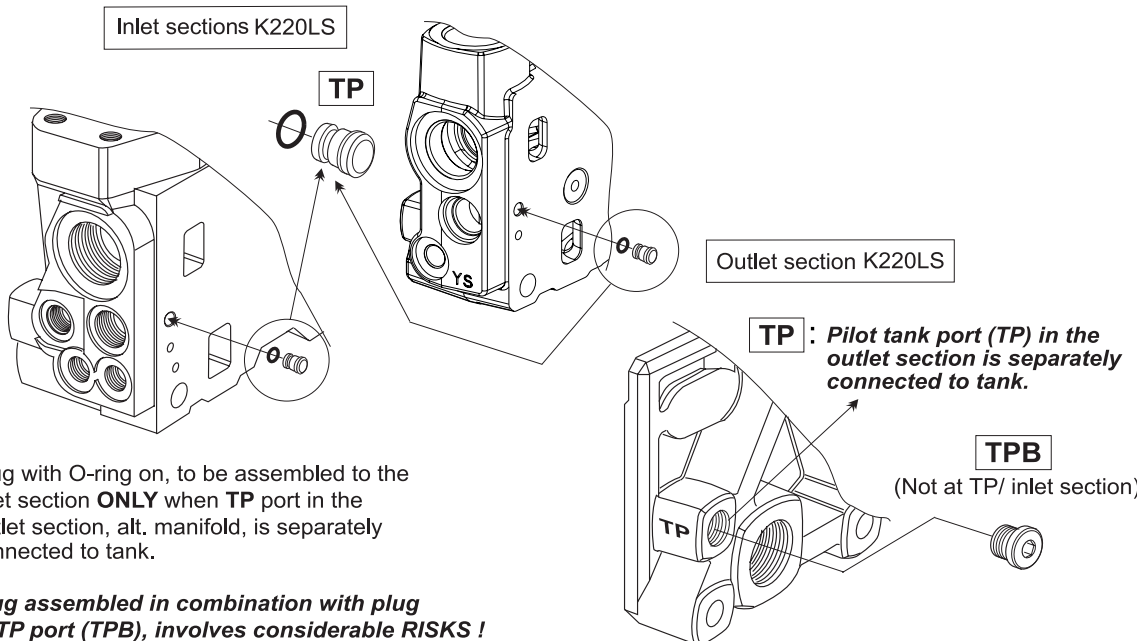
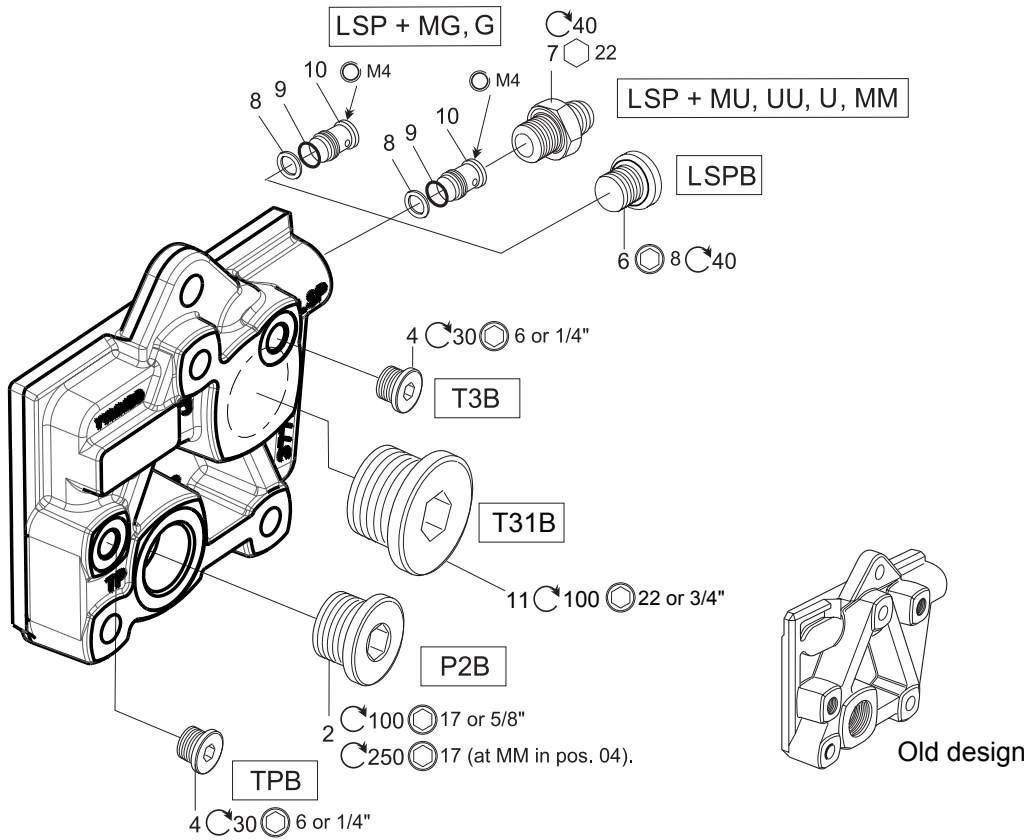
For caps old style, see Appendix B.

Spool Actuators

See Customer Specification				
Code	Pos	Part	Description	Remarks / Items
PC + MG, G	50 + 04	9120092272	Cap kit PC, A-side, BSP	63, 64(3x), 65, 75 [68, 79], 80(4x), 81(4x)
PC + MU, UU, U	50 + 04	9120092282	Cap kit PC, A-side, UNF	63, 64(3x), 65, 75 [68, 79], 80(4x), 81(4x)
PC + MM	50 + 04	9120092351	Cap kit PC, A-side, metric	63, 64(3x), 65, 75 [68, 79], 80(4x), 81(4x)
PC + MG, G + KAP	50 + 04 + 66	6760548	Cap kit PC for KAP, A-side, BSP	63, 64(3x), 65, 75 [68, 79], 80(4x), 81(4x)
PC + MU, UU, U + KAP	50 + 04 + 66	6760549	Cap kit PC for KAP, A-side, UNF	63, 64(3x), 65, 75 [68, 79], 80(4x), 81(4x)
PC + MM + KAP	50 + 04 + 66	6760550	Cap kit PC for KAP, A-side, Metric	63, 64(3x), 65, 75 [68, 79], 80(4x), 81(4x)
PC + MG, G	50 + 04	9120092016	Cap kit PC, B-side, BSP	88 [69, 83, 84], 73(2x), 85(2x), 87
PC + MU, UU, U	50 + 04	9120092017	Cap kit PC, B-side, UNF	88 [69, 83, 84], 73(2x), 85(2x), 87
PC + MM	50 + 04	9120092352	Cap kit PC, B-side, Metric	88 [69, 83, 84], 73(2x), 85(2x), 87
PC + MG, G	50 + 04	6760224	Seal kit PC, BSP	63, 64(3x), 65, 68, 69, 84, 87
PC + MU, UU, U	50 + 04	6760223	Seal kit PC, UNF	63, 64(3x), 65, 68, 69, 84, 87
PC + MM	50 + 04	6760849	Seal kit PC, Metric	63, 64(3x), 65, 68, 69, 84, 87
PC	50	9120092015	Spring kit std, (6.5-20) bar	86
A306	59	9120091052	Spring kit A306, (6.5-26) bar	86
PC + MG, G	50 + 04	-	Plug VSTI1/4EDCF	69
PC + MU, UU, U	50 + 04	-	Plug 6HP5ON-S	69
PC + MM	50 + 04	-	Plug VSTI14x1.5	69

See Customer Specification					
Code	Pos	Part BSP	Part UNF	Description, Damper Ø in mm	Remarks / Items
PC + 1,5	50 + 55A/55B	9120092307	9120092327	ø1.5	10, 11, 12
PC + 1,4	50 + 55A/55B	9120092304	9120092324	ø1.4	10, 11, 12
PC + 1,3	50 + 55A/55B	9120092306	9120092326	ø1.3	10, 11, 12
PC + 1,2	50 + 55A/55B	9120092303	9120092323	ø1.2	10, 11, 12
PC + 1,1	50 + 55A/55B	9120092310	9120092330	ø1.1	10, 11, 12
PC + 1,0	50 + 55A/55B	9120092302	9120092322	ø1.0	10, 11, 12
PC + 0,9	50 + 55A/55B	9120092309	9120092329	ø0.9	10, 11, 12
PC + 0,8	50 + 55A/55B	9120092301	9120092321	ø0.8	10, 11, 12
PC + 0,6	50 + 55A/55B	9120092308	9120092328	ø0.6	10, 11, 12

LSP, LSPB, P2B, T3B, T31B, TPB.



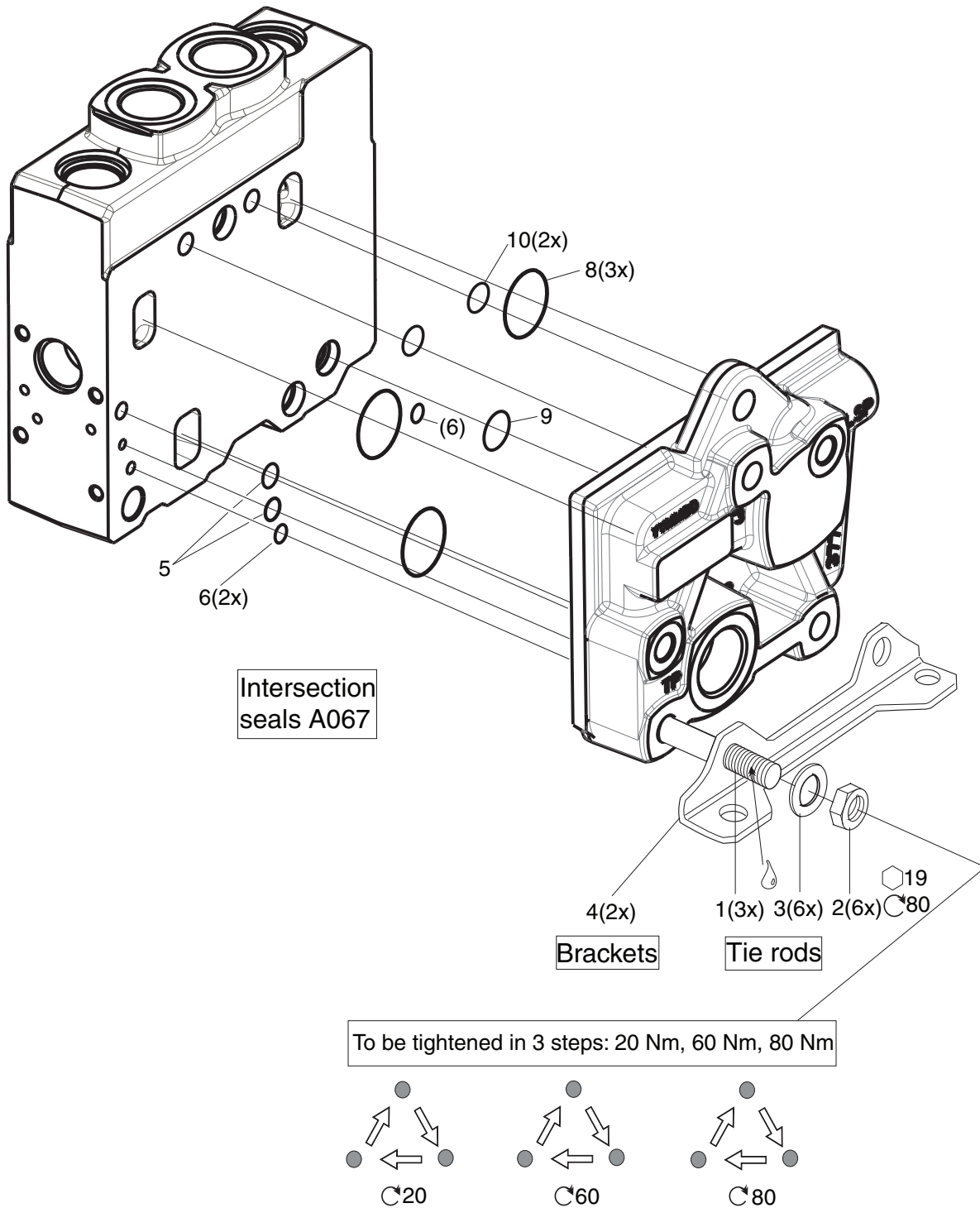
Plug with O-ring on, to be assembled to the inlet section **ONLY** when TP port in the outlet section, alt. manifold, is separately connected to tank.

Plug assembled in combination with plug in TP port (TPB), involves considerable RISKS !

End Section

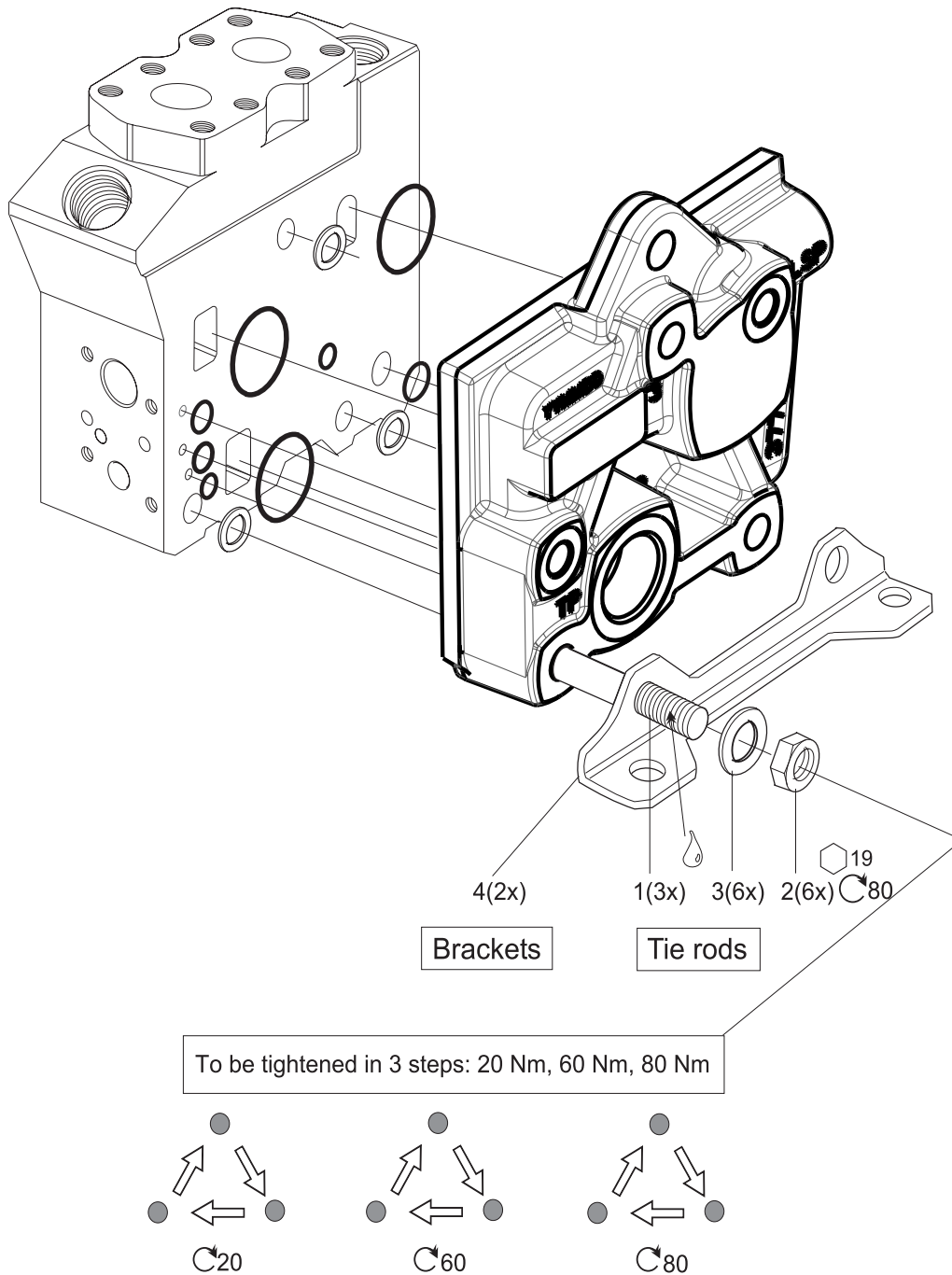
See Customer Specification				
Code	Pos	Part	Description	Remarks / Items
P2B + MG, G	32 + 04	-	Plug VST11EDCF	2
P2B + MU, UU, U	32 + 04	-	Plug 16HP5ON-S	2
P2B + MM	32 + 04	-	Plug VST133x2EDCF	2
T3B + MG, G	34 + 04	-	Plug VST11/4EDCF	4
T3B + MU, UU, U	34 + 04	-	Plug 6HP5ON-S	4
T3B + MM	34 + 04	-	Plug VST114x1.5EDCF	4
T31B + MG, G	34 + 04	-	Plug VST11 1/4EDCF	11
T31B + MU, UU, U	34 + 04	-	Plug 20HP5ON-S	11
TPB + MG, G	40 + 04	-	Plug VST11/4EDCF	4
TPB + MU, UU, U	40 + 04	-	Plug 6HP5ON-S	4
TPB + MM	40 + 04	-	Plug VST114x1.5EDCF	4
LSP + MG, G	31 + 04	9120092032	LS connection open, BSP	10 [8, 9]
LSP + MU, UU, U	31 + 04	9120092033	LS connection open, UNF	7, 10 [8, 9]
LSP + MU, UU	31 + 04	-	Nipple 6-6F4OMXS	7
LSP + MM	31 + 04	6760842	LS connection open, MM (with mounted nipple with male thread 9/16-18UNF, O-lock)	7, 10 [8, 9]
LSP + MM	31 + 04	-	Nipple 4-6F42EDMLOS	7
LSP	31	6760204	Seal kit, LSP	8, 9
LSPB	31	-	Plug VST13/8EDCF	6

Slim valve: Tie rods, Brackets, Intersection seals A067.



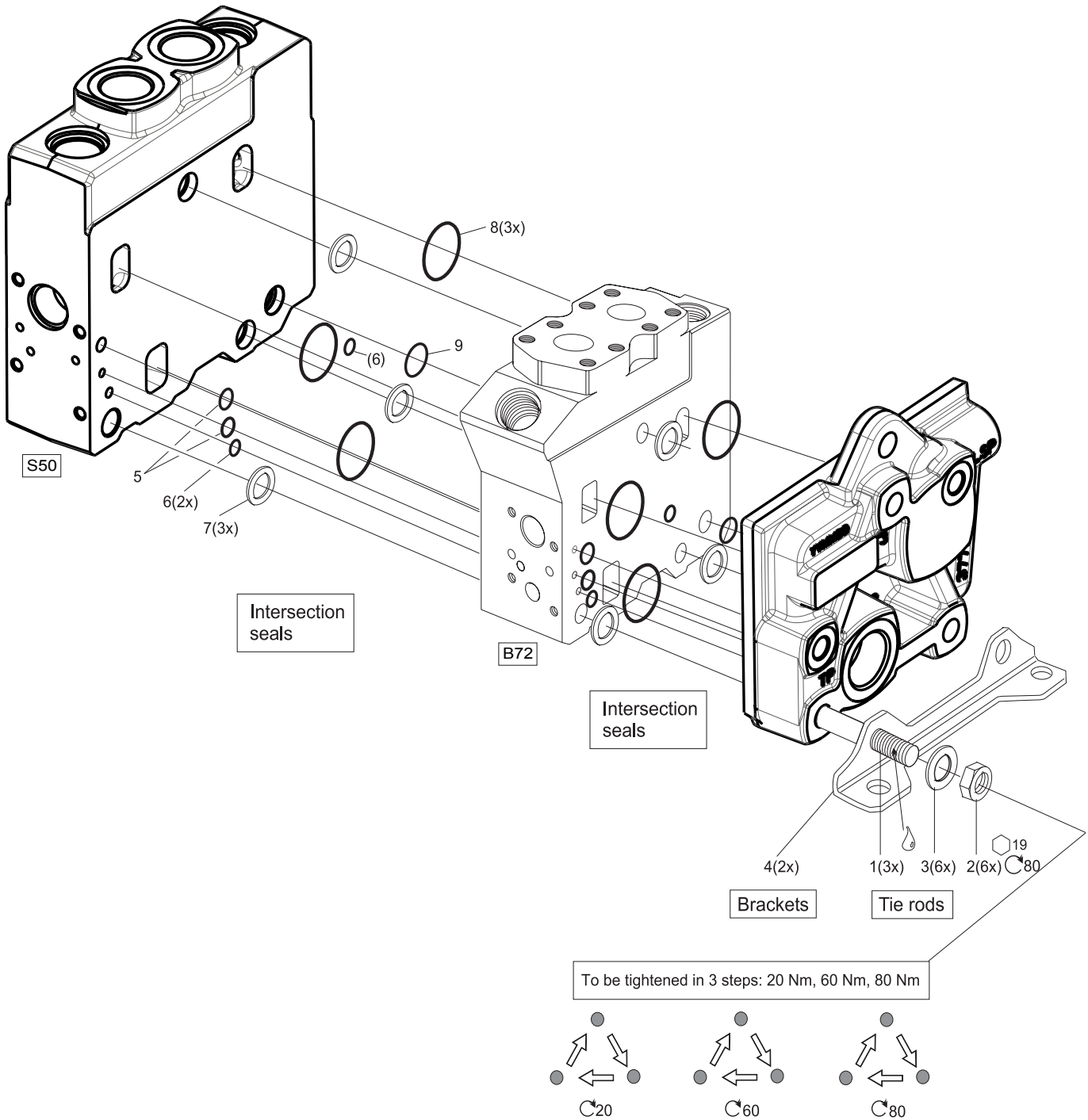
See Customer Specification				
Code	Pos	Part	Description	Remarks / Items
M, M2 + A067	85 + 44/74	6763082	Intersection seals kit, A067	5(2x), 6(2x), 8(3x), 9, 10(2x)
1) Standard K220LS (Slim Inlet + Slim Sections)				
S67 + 1x S50	10B + 47B	6763084	Tie rod kit, 1 section valve, 208 mm	1(3x), 2(6x), 3(6x)
S67 + 2x S50	10B + 47B	6763085	Tie rod kit, 2 sections valve, 256 mm	1(3x), 2(6x), 3(6x)
S67 + 3x S50	10B + 47B	6763086	Tie rod kit, 3 sections valve, 309 mm	1(3x), 2(6x), 3(6x)
S67 + 4x S50	10B + 47B	6763087	Tie rod kit, 4 sections valve, 362 mm	1(3x), 2(6x), 3(6x)
S67 + 5x S50	10B + 47B	9120199926	Tie rod kit, 5 sections valve, 405 mm	1(3x), 2(6x), 3(6x)
S67 + 6x S50	10B + 47B	9120092375	Tie rod kit, 6 sections valve, 460 mm	1(3x), 2(6x), 3(6x)
S67 + 7x S50	10B + 47B	9120092347	Tie rod kit, 7 sections valve, 501 mm	1(3x), 2(6x), 3(6x)
S67 + 8x S50	10B + 47B	6763089	Tie rod kit, 8 sections valve, 556 mm	1(3x), 2(6x), 3(6x)
S67 + 9x S50	10B + 47B	9120092377	Tie rod kit, 9 sections valve, 613 mm	1(3x), 2(6x), 3(6x)
S67 + 10x S50	10B + 47B	6763090	Tie rod kit, 10 sections valve, 662 mm	1(3x), 2(6x), 3(6x)
2) K220LS (Broad Inlet + Slim Sections)				
B86 + 1x S50	10B + 47B	6763073	Tie rod kit, 1 section valve, 229 mm	1(3x), 2(6x), 3(6x)
B86 + 2x S50	10B + 47B	6763074	Tie rod kit, 2 sections valve, 278 mm	1(3x), 2(6x), 3(6x)
B86 + 3x S50	10B + 47B	6763075	Tie rod kit, 3 sections valve, 330 mm	1(3x), 2(6x), 3(6x)
B86 + 4x S50	10B + 47B	6763076	Tie rod kit, 4 sections valve, 379 mm	1(3x), 2(6x), 3(6x)
B86 + 5x S50	10B + 47B	6763077	Tie rod kit, 5 sections valve, 423 mm	1(3x), 2(6x), 3(6x)
B86 + 6x S50	10B + 47B	6763078	Tie rod kit, 6 sections valve, 485 mm	1(3x), 2(6x), 3(6x)
B86 + 7x S50	10B + 47B	6763079	Tie rod kit, 7 sections valve, 523 mm	1(3x), 2(6x), 3(6x)
B86 + 8x S50	10B + 47B	6763080	Tie rod kit, 8 sections valve, 594 mm	1(3x), 2(6x), 3(6x)
B86 + 9x S50	10B + 47B	6763081	Tie rod kit, 9 sections valve, 642 mm	1(3x), 2(6x), 3(6x)
B86 + 10x S50	10B + 47B	9120092378	Tie rod kit, 10 sections valve, 685 mm	1(3x), 2(6x), 3(6x)
3) K220LS (Combine Inlet + Slim Sections)				
ASC, LS2C + 1x S50	15 + 47B	9120092556	Tie rod kit, 1 section valve, 135 mm	1(3x), 2(3x), 3(3x)
ASC, LS2C + 2x S50	15 + 47B	9120092557	Tie rod kit, 2 sections valve, 185 mm	1(3x), 2(3x), 3(3x)
ASC, LS2C + 3x S50	15 + 47B	9120092558	Tie rod kit, 3 sections valve, 237 mm	1(3x), 2(3x), 3(3x)
ASC, LS2C + 4x S50	15 + 47B	9120092559	Tie rod kit, 4 sections valve, 289 mm	1(3x), 2(3x), 3(3x)
ASC, LS2C + 5x S50	15 + 47B	9120092560	Tie rod kit, 5 sections valve, 335 mm	1(3x), 2(3x), 3(3x)
ASC, LS2C + 6x S50	15 + 47B	6763091	Tie rod kit, 6 sections valve, 385 mm	1(3x), 2(3x), 3(3x)
ASC, LS2C + 7x S50	15 + 47B	6763231	Tie rod kit, 7 sections valve, 433 mm	1(3x), 2(3x), 3(3x)
Brackets		9120092566	Bracket, washers, nuts	2(3x), 3(3x), 4
A304	09	9120092567	Bracket A304, washers, nuts	2(3x), 3(3x), 4

Broad valve: Tie rods.



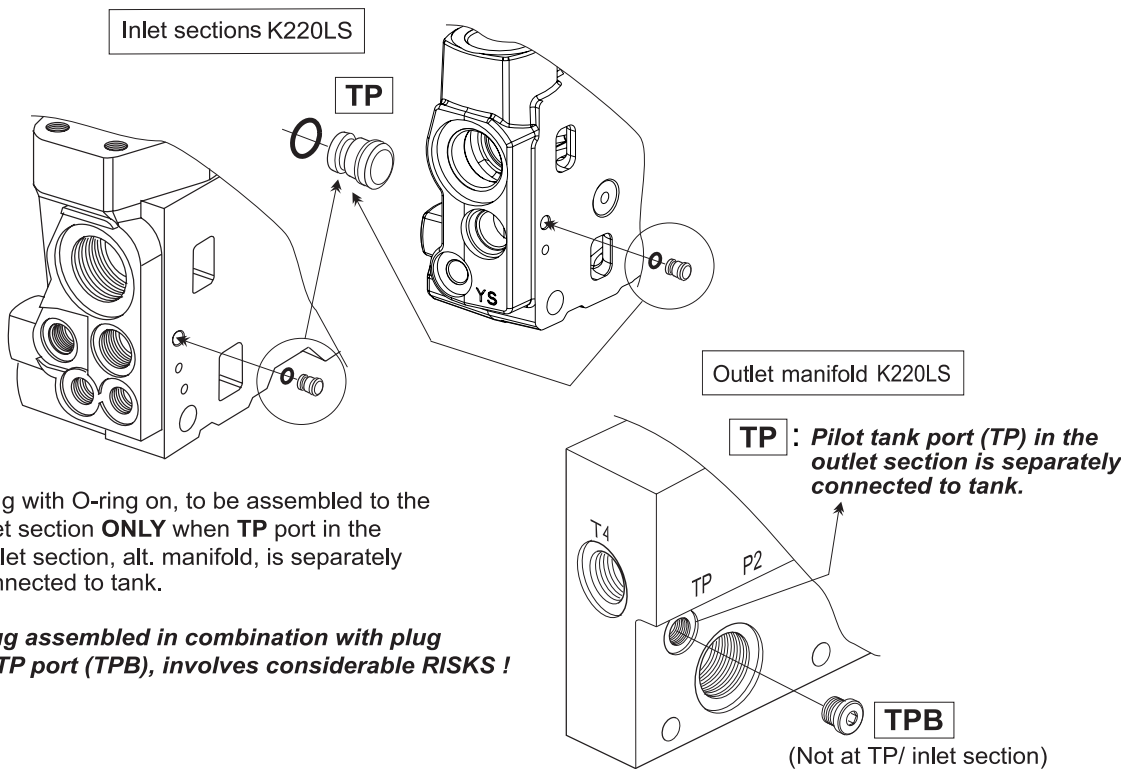
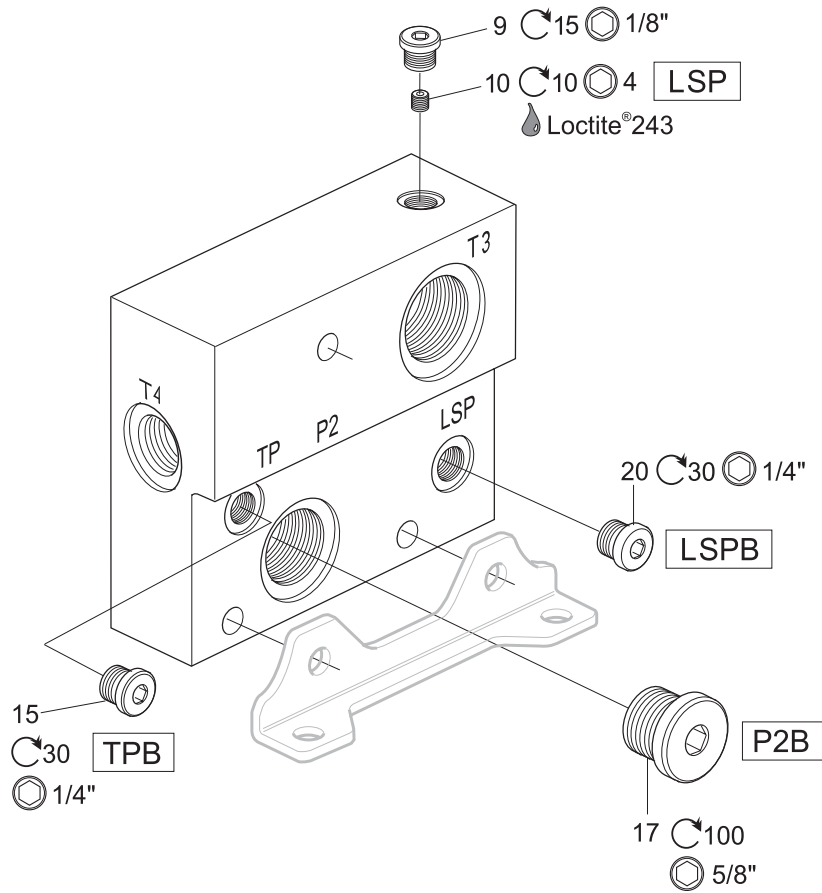
See Customer Specification				
1) Standard K220LS (Broad Inlet + Broad Sections)				
B86 + 1x B72	10B + 47B	9120092372	Tie rod kit, 1 section valve, 244 mm	1(3x), 2(6x), 3(6x)
B86 + 2x B72	10B + 47B	9120092373	Tie rod kit, 2 sections valve, 316 mm	1(3x), 2(6x), 3(6x)
B86 + 3x B72	10B + 47B	9120092374	Tie rod kit, 3 sections valve, 385 mm	1(3x), 2(6x), 3(6x)
B86 + 4x B72	10B + 47B	9120092375	Tie rod kit, 4 sections valve, 460 mm	1(3x), 2(6x), 3(6x)
B86 + 5x B72	10B + 47B	6760532	Tie rod kit, 5 sections valve, 544 mm	1(3x), 2(6x), 3(6x)
B86 + 6x B72	10B + 47B	9120092377	Tie rod kit, 6 sections valve, 613 mm	1(3x), 2(6x), 3(6x)
B86 + 7x B72	10B + 47B	9120092378	Tie rod kit, 7 sections valve, 685 mm	1(3x), 2(6x), 3(6x)
B86 + 8x B72	10B + 47B	9120092568	Tie rod kit, 8 sections valve, 757 mm	1(3x), 2(6x), 3(6x)
2) K220LS (Combine inlet + Broad Sections)				
ASC, LS2C + 1x B72	15 + 47B	6760225	Tie rod kit, 1 section valve, 160 mm	1(3x), 2(3x), 3(3x)
ASC, LS2C + 2x B72	15 + 47B	6760226	Tie rod kit, 2 sections valve, 229 mm	1(3x), 2(3x), 3(3x)
ASC, LS2C + 3x B72	15 + 47B	6760227	Tie rod kit, 3 sections valve, 301 mm	1(3x), 2(3x), 3(3x)
ASC, LS2C + 4x B72	15 + 47B	6760228	Tie rod kit, 4 sections valve, 373 mm	1(3x), 2(3x), 3(3x)
ASC, LS2C + 5x B72	15 + 47B	6760229	Tie rod kit, 5 sections valve, 448 mm	1(3x), 2(3x), 3(3x)
Brackets		9120092566	Bracket, washers, nuts	Pls see page 33.
A304	09	9120092567	Bracket A304, washers, nuts	Pls see page 33.

Combined valve (B86 + S50/B72): Tie rods, Brackets, Intersection seals.







See Customer Specification				
Code	Pos	Part	Description	Remarks / Items
Brackets		9120092365	Bracket kit	4(2x)
A304	09	9120092035	Bracket A304, washers, nuts	2(6x), 3(6x), 4(2x)
A054	09	6763199	Bracket A054, washers, nuts	2(3x), 3(3x), 4
		9120092315	Intersection seals kit	5(2x), 6(2x), 7(3x), 8(3x), 9
B86 + 1x B72 + 1x S50	10B + 47B	6763241	Tie rod kit, 2 sections valve, 301 mm	1(3x), 2(6x), 3(6x)
B86 + 1x B72 + 2x S50	10B + 47B	6763242	Tie rod kit, 3 sections valve, 351 mm	1(3x), 2(6x), 3(6x)
B86 + 2x B72 + 1x S50	10B + 47B	6763243	Tie rod kit, 3 sections valve, 373 mm	1(3x), 2(6x), 3(6x)
B86 + 1x B72 + 3x S50	10B + 47B	9120199926	Tie rod kit, 4 sections valve, 405 mm	1(3x), 2(6x), 3(6x)
B86 + 2x B72 + 2x S50	10B + 47B	6763077	Tie rod kit, 4 sections valve, 423 mm	1(3x), 2(6x), 3(6x)
B86 + 3x B72 + 1x S50	10B + 47B	9120199927	Tie rod kit, 4 sections valve, 448 mm	1(3x), 2(6x), 3(6x)
B86 + 1x B72 + 4x S50	10B + 47B	6763247	Tie rod kit, 5 sections valve, 451 mm	1(3x), 2(6x), 3(6x)
B86 + 2x B72 + 3x S50	10B + 47B	6763248	Tie rod kit, 5 sections valve, 469 mm	1(3x), 2(6x), 3(6x)
B86 + 3x B72 + 2x S50	10B + 47B	6763249	Tie rod kit, 5 sections valve, 491 mm	1(3x), 2(6x), 3(6x)
B86 + 4x B72 + 1x S50	10B + 47B	6763079	Tie rod kit, 5 sections valve, 523 mm	1(3x), 2(6x), 3(6x)
B86 + 1x B72 + 5x S50	10B + 47B	9120092347	Tie rod kit, 6 sections valve, 501 mm	1(3x), 2(6x), 3(6x)
B86 + 2x B72 + 4x S50	10B + 47B	6763252	Tie rod kit, 6 sections valve, 523 mm	1(3x), 2(6x), 3(6x)
B86 + 3x B72 + 3x S50	10B + 47B	6760532	Tie rod kit, 6 sections valve, 544 mm	1(3x), 2(6x), 3(6x)
B86 + 4x B72 + 2x S50	10B + 47B	6763254	Tie rod kit, 6 sections valve, 567 mm	1(3x), 2(6x), 3(6x)
B86 + 5x B72 + 1x S50	10B + 47B	6763080	Tie rod kit, 6 sections valve, 594 mm	1(3x), 2(6x), 3(6x)
B86 + 1x B72 + 6x S50	10B + 47B	9120092348	Tie rod kit, 7 sections valve, 549 mm	1(3x), 2(6x), 3(6x)
B86 + 2x B72 + 5x S50	10B + 47B	6763254	Tie rod kit, 7 sections valve, 567 mm	1(3x), 2(6x), 3(6x)
B86 + 3x B72 + 4x S50	10B + 47B	6763080	Tie rod kit, 7 sections valve, 594 mm	1(3x), 2(6x), 3(6x)
B86 + 4x B72 + 3x S50	10B + 47B	6763259	Tie rod kit, 7 sections valve, 622 mm	1(3x), 2(6x), 3(6x)
B86 + 5x B72 + 2x S50	10B + 47B	6763081	Tie rod kit, 7 sections valve, 642 mm	1(3x), 2(6x), 3(6x)
B86 + 6x B72 + 1x S50	10B + 47B	6763090	Tie rod kit, 7 sections valve, 662 mm	1(3x), 2(6x), 3(6x)
B86 + 1x B72 + 7x S50	10B + 47B	6763080	Tie rod kit, 8 sections valve, 594 mm	1(3x), 2(6x), 3(6x)
B86 + 2x B72 + 6x S50	10B + 47B	6763259	Tie rod kit, 8 sections valve, 622 mm	1(3x), 2(6x), 3(6x)
B86 + 3x B72 + 5x S50	10B + 47B	6763081	Tie rod kit, 8 sections valve, 642 mm	1(3x), 2(6x), 3(6x)
B86 + 4x B72 + 4x S50	10B + 47B	6763265	Tie rod kit, 8 sections valve, 667 mm	1(3x), 2(6x), 3(6x)
B86 + 5x B72 + 3x S50	10B + 47B	9120199932	Tie rod kit, 8 sections valve, 688 mm	1(3x), 2(6x), 3(6x)
B86 + 6x B72 + 2x S50	10B + 47B	6763267	Tie rod kit, 8 sections valve, 704 mm	1(3x), 2(6x), 3(6x)
B86 + 7x B72 + 1x S50	10B + 47B	6763268	Tie rod kit, 8 sections valve, 733 mm	1(3x), 2(6x), 3(6x)

A043: P2B, TPB, LSP, LSPB

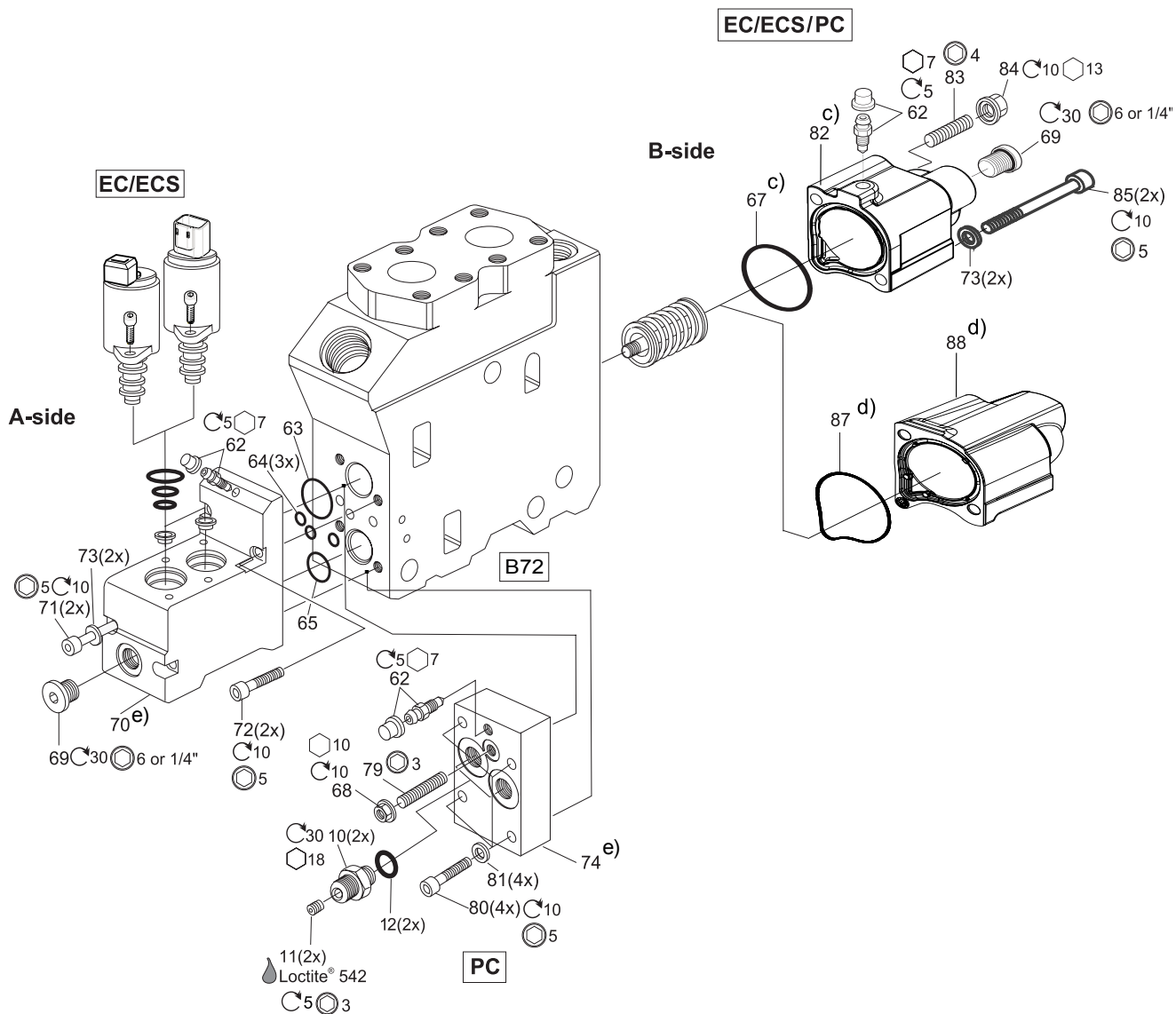


End Section: manifolds

See Customer Specification				
Code	Pos	Part	Description	Remarks / Items
TPB + MU, UU	40 + 04	-	Plug 6HP5ON-S	15
P2B + MU, UU	32 + 04	-	Plug 16HP5ON-S	17
LSPB + MU, UU	31 + 04	-	Plug 6HP5ON-S	20
LSP	31	-	Plug P6SS 8x8, ISO 4026	10
A043	30	-	Plug 3HP5ON-S	9

Symbol	Description
	<p>For optimum function, the radial clearance between spool and spool bore must be correct. Spools are therefore colour-coded to identify sizes. We recommend that the whole valve/section is changed if the spool has to be replaced (valve housings cannot be purchased as spares, so if a new one is required a new valve or complete section should be ordered). If the spool has to be changed, it is extremely important that the new spool is the right size.</p> <p>If the spool is too large, it will not work properly even if it appears to function perfectly on assembly, and if the spool is too small, function will also be adversely affected. Spools that are classified by size are marked in the list with .</p> <p>The colour-marking of the spool may disappear after a time, so, unless otherwise stated, the housing is marked with a letter to indicate the respective colour as follows: B for Blue, G for Green, R for Red.</p>
	<p>Changing the settings, replacing the preset pressure relief valve or breaking the seal must only be done in accordance with the manufacturer's instructions. Other settings may seriously damage the machine and other assets, and may cause personal injury. Note that a value contained in the customer specification manual does not apply if the manufacturer changed the settings at installation.</p> <p>Always contact the manufacturer's service organisation before servicing items marked with .</p>

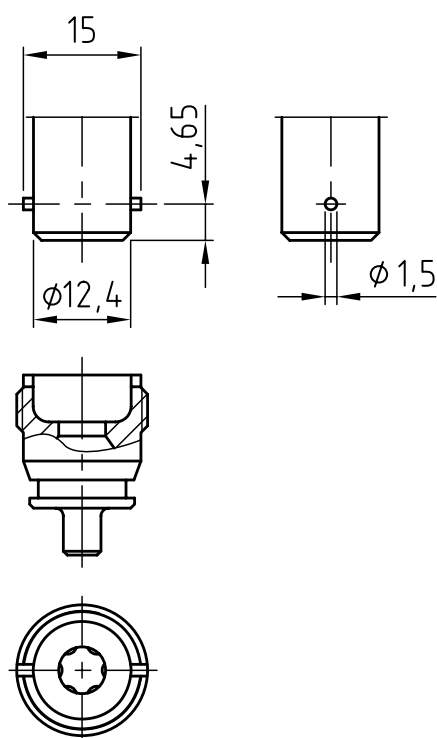
EC, ECS, PC



c) Up to serial no. 1002...use new version of spring cap (88) for spare parts.
 d) For new spring cap, from serial no. 1003...
 e) For old EC and PC caps, up to serial no. 1204...

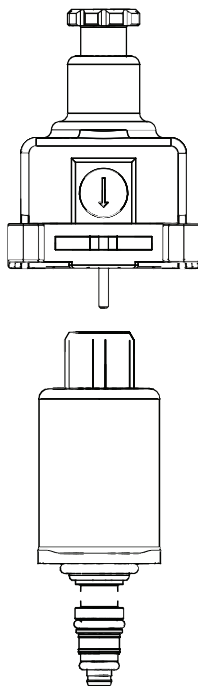
See Customer Specification				
Code	Pos	Part	Description	Remarks / Items
EC, ECS, PC + MG	50 + 04	6760224	Seal kit EC, ECS, PC, BSP	62, 63, 64(3x), 65, 67, 68, 69(2x), 84, 87
EC, ECS, PC + MU, UU	50 + 04	6760223	Seal kit EC, ECS, PC, UNF	62, 63, 64(3x), 65, 67, 68, 69(2x), 84, 87
PC + MM	50 + 04	6760849	Seal kit PC, Metric	63, 64(3x), 65, 67, 68, 69, 84, 87
		9120092285	Air bleeding kit	62(2x)

Tool for seat PLM/MRC/MRM



Manual override may not be used without knowledge of functionality.

CAUTION: No proportional function

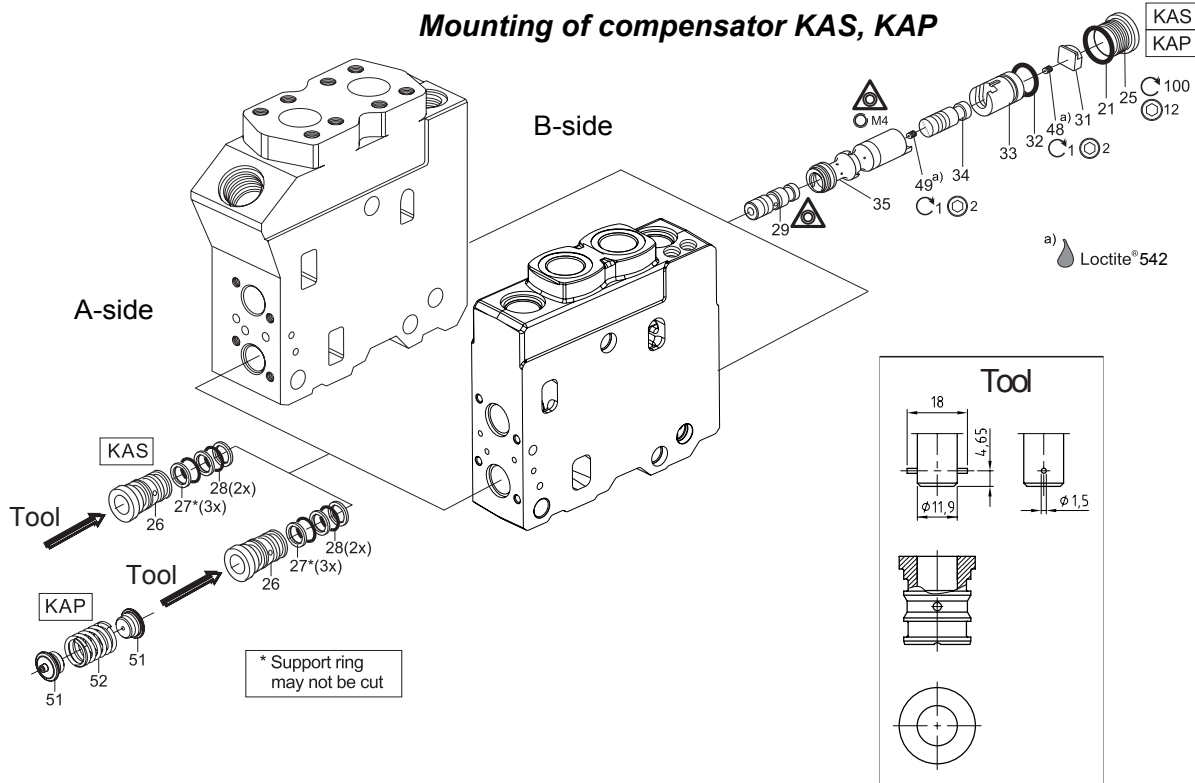


1. A special tool must be used to engage the manual override function of the solenoid! Use of other tools to attempt to engage or disengage the manual override may not work or may not work when intended.
2. When using the manual override function, the solenoid has only on-off functionality and doesn't operate proportionally as usual. This means, for example, that the solenoid may operate much faster than usual and the unexpected speed could cause crushing or other injuries.
3. When using the manual override be certain that all operations of the application, regardless of speed, will not endanger persons or property nearby.
4. As always, consult the operations manual for all specifications and functions of the valve. If there are questions contact MCDE.

The PS25MO is equipped with a manual override pin in the connector. To actuate the PS25MO a specific tool is needed since the tolerances of the pin is so small that it can be damaged or the pin sticks in actuated position.

Please notify that it's for fault searching only and shall be used as rarely as possible with common sense in mind. If manual override is used humans can be exposed for very dangerous situations. Please read the legal limits before using the manual override.

Part number for override tool: 6763001.



KAS, A-side

1. Lubricate the hole for sleeve with hydraulic oil. Sleeve 26 is assembled with 2 pcs O- rings 28 and 3 pcs support rings 27.
2. Mount the sleeve 26 in the control section. The first part of the sleeve must be pushed in manually using a tool.

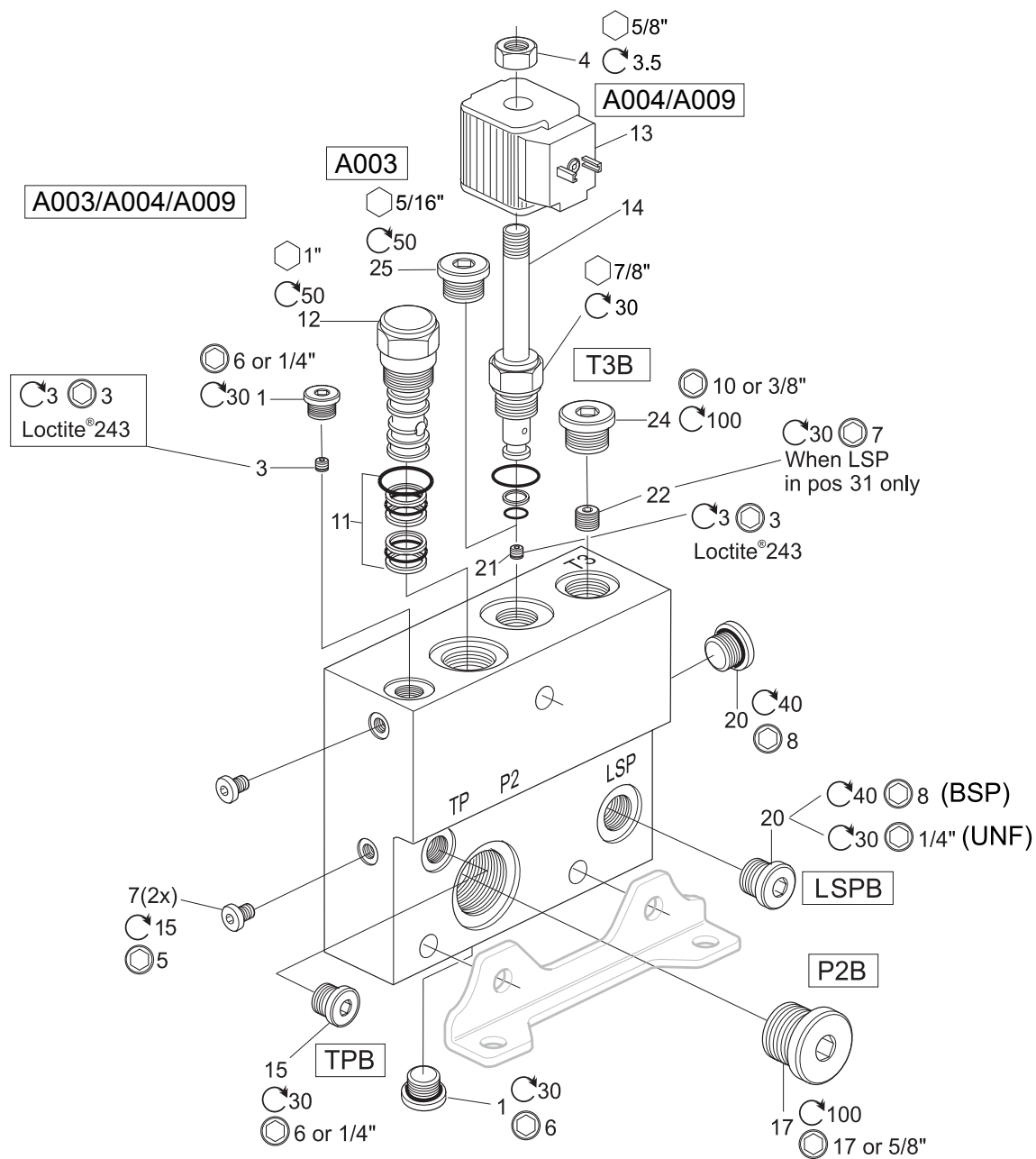
KAP, A-side

- 1 and 2. Repeat the same operations as for KAS, A-side.
3. Mount compensator spring 52 between two spring guides 51 and place them in PC / EC cover.
4. Mount the cover on the control section.

KAS, KAP, B-side

1. Mount restrictor 49 in the compensator spool 35. Use locking adhesive such as Loctite 542.
2. Mount restrictor 48 acc. to Customer specification Pos. 67 in the compensator plug 33. Use the same locking adhesive as above.
3. Mount the O-ring 32 on the compensator plug 33.
4. Mount compensator piston 34 in the compensator spool 35 and hook up compensator plug 33 in it.
5. Hook up the compensator piston 29 in the compensator spool 35.
6. Mount the preassembled compensator spool in the control section (protrusion of the compensator plug should be facing down).
7. Mount the compensator plate 31 on the compensator plug 33.
8. Mount the O-ring 21 on the plug 25 (G3 / 4 ").
9. Mount direct plug 25 in the control section.

A003, A004, A009



Spare Parts Not available!

Parker Worldwide

Europe, Middle East, Africa

AE – United Arab Emirates,
Dubai

Tel: +971 4 8127100
parker.me@parker.com

AT – Austria, Wiener Neustadt
Tel: +43 (0)2622 23501-0
parker.austria@parker.com

AT – Eastern Europe, Wiener
Neustadt
Tel: +43 (0)2622 23501 900
parker.easteurope@parker.com

AZ – Azerbaijan, Baku
Tel: +994 50 22 33 458
parker.azerbaijan@parker.com

BE/LU – Belgium, Nivelles
Tel: +32 (0)67 280 900
parker.belgium@parker.com

BG – Bulgaria, Sofia
Tel: +359 2 980 1344
parker.bulgaria@parker.com

BY – Belarus, Minsk
Tel: +375 17 209 9399
parker.belarus@parker.com

CH – Switzerland, Etoy
Tel: +41 (0)21 821 87 00
parker.switzerland@parker.com

CZ – Czech Republic, Klecany
Tel: +420 284 083 111
parker.czechrepublic@parker.com

DE – Germany, Kaarst
Tel: +49 (0)2131 4016 0
parker.germany@parker.com

DK – Denmark, Ballerup
Tel: +45 43 56 04 00
parker.denmark@parker.com

ES – Spain, Madrid
Tel: +34 902 330 001
parker.spain@parker.com

FI – Finland, Vantaa
Tel: +358 (0)20 753 2500
parker.finland@parker.com

FR – France, Contamine s/Arve
Tel: +33 (0)4 50 25 80 25
parker.france@parker.com

GR – Greece, Athens
Tel: +30 210 933 6450
parker.greece@parker.com

HU – Hungary, Budaoers
Tel: +36 23 885 470
parker.hungary@parker.com

IE – Ireland, Dublin
Tel: +353 (0)1 466 6370
parker.ireland@parker.com

IT – Italy, Corsico (MI)
Tel: +39 02 45 19 21
parker.italy@parker.com

KZ – Kazakhstan, Almaty
Tel: +7 7273 561 000
parker.easteurope@parker.com

NL – The Netherlands, Oldenzaal
Tel: +31 (0)541 585 000
parker.nl@parker.com

NO – Norway, Asker
Tel: +47 66 75 34 00
parker.norway@parker.com

PL – Poland, Warsaw
Tel: +48 (0)22 573 24 00
parker.poland@parker.com

PT – Portugal, Leca da Palmeira
Tel: +351 22 999 7360
parker.portugal@parker.com

RO – Romania, Bucharest
Tel: +40 21 252 1382
parker.romania@parker.com

RU – Russia, Moscow
Tel: +7 495 645-2156
parker.russia@parker.com

SE – Sweden, Spånga
Tel: +46 (0)8 59 79 50 00
parker.sweden@parker.com

SK – Slovakia, Banská Bystrica
Tel: +421 484 162 252
parker.slovakia@parker.com

SL – Slovenia, Novo Mesto
Tel: +386 7 337 6650
parker.slovenia@parker.com

TR – Turkey, Istanbul
Tel: +90 216 4997081
parker.turkey@parker.com

UA – Ukraine, Kiev
Tel: +380 44 494 2731
parker.ukraine@parker.com

UK – United Kingdom, Warwick
Tel: +44 (0)1926 317 878
parker.uk@parker.com

ZA – South Africa, Kempton Park
Tel: +27 (0)11 961 0700
parker.southafrica@parker.com

North America

CA – Canada, Milton, Ontario
Tel: +1 905 693 3000

US – USA, Cleveland
(industrial)
Tel: +1 216 896 3000

US – USA, Elk Grove Village
(mobile)
Tel: +1 847 258 6200

Asia Pacific

AU – Australia, Castle Hill
Tel: +61 (0)2-9634 7777

CN – China, Shanghai
Tel: +86 21 2899 5000

HK – Hong Kong
Tel: +852 2428 8008

ID – Indonesia, Tangerang
Tel: +62 21 7588 1906

IN – India, Mumbai
Tel: +91 22 6513 7081-85

JP – Japan, Fujisawa
Tel: +81 (0)4 6635 3050

KR – South Korea, Seoul
Tel: +82 2 559 0400

MY – Malaysia, Shah Alam
Tel: +60 3 7849 0800

NZ – New Zealand, Mt Wellington
Tel: +64 9 574 1744

SG – Singapore
Tel: +65 6887 6300

TH – Thailand, Bangkok
Tel: +662 717 8140

TW – Taiwan, New Taipei City
Tel: +886 2 2298 8987

VN – Vietnam, Ho Chi Minh City
Tel: +84 8 3999 1600

South America

AR – Argentina, Buenos Aires
Tel: +54 3327 44 4129

BR – Brazil, Cachoeirinha RS
Tel: +55 51 3470 9144

CL – Chile, Santiago
Tel: +56 2 623 1216

MX – Mexico, Toluca
Tel: +52 72 2275 4200

© 2014 Parker Hannifin Corporation. All rights reserved.



EMEA Product Information Centre

Free phone: 00 800 27 27 5374

(from AT, BE, CH, CZ, DE, DK, EE, ES, FI, FR, IE, IL,
IS, IT, LU, MT, NL, NO, PL, PT, RU, SE, SK, UK, ZA)

US Product Information Centre

Toll-free number: 1-800-27 27 537

www.parker.com

Your local authorized Parker distributor