



aerospace  
climate control  
electromechanical  
filtration  
fluid & gas handling  
**hydraulics**  
pneumatics  
process control  
sealing & shielding



# PLC series Auxiliary Valves

Direct-acting Pressure Relief Valves



ENGINEERING YOUR SUCCESS.

<b>List of contents</b>	<b>Page</b>
General Information.....	3
PLC053.....	4
Single housing for PLC053.....	5
PLC082.....	6
Single housing for PLC082.....	7
Double housing for PLC082.....	8
<b>PLC182.....</b>	<b>9</b>
PLC280.....	10
Ordering .....	11

Subject to alteration without prior notice. The curves and diagrams in this catalogue are typical examples only. While the contents of the catalogue are updated continuously, the validity of the information given should always be confirmed. For more detailed information, please contact Parker Hannifin.



## **WARNING – USER RESPONSIBILITY**

**FAILURE OR IMPROPER SELECTION OR IMPROPER USE OF THE PRODUCTS DESCRIBED HEREIN OR RELATED ITEMS CAN CAUSE DEATH, PERSONAL INJURY AND PROPERTY DAMAGE.**

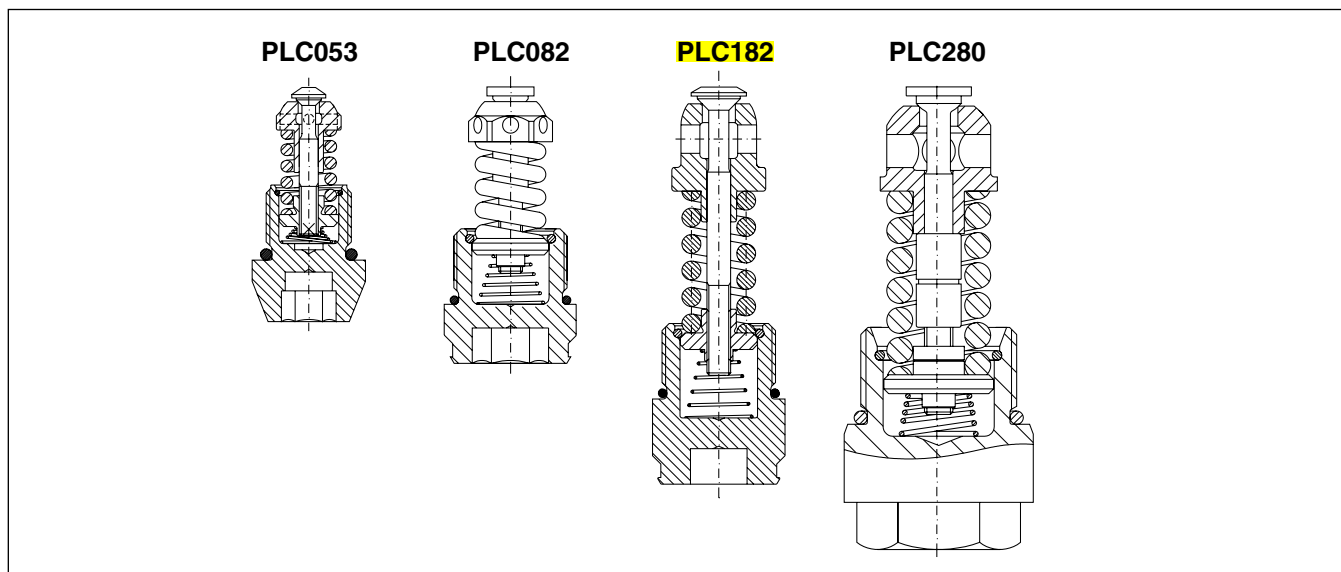
This document and other information from Parker-Hannifin Corporation, its subsidiaries and authorized distributors provide product or system options for further investigation by users having technical expertise.

The user, through its own analysis and testing, is solely responsible for making the final selection of the system and components and assuring that all performance, endurance, maintenance, safety and warning requirements of the application are met. The user must analyze all aspects of the application, follow applicable industry standards, and follow the information concerning the product in the current product catalog and in any other materials provided from Parker or its subsidiaries or authorized distributors.

To the extent that Parker or its subsidiaries or authorized distributors provide component or system options based upon data or specifications provided by the user, the user is responsible for determining that such data and specifications are suitable and sufficient for all applications and reasonably foreseeable uses of the components or systems.

## **Offer of Sale**

Please contact your Parker representation for a detailed "Offer of Sale".



The PLC series auxiliary valves are direct-acting, factory-set pressure relief valves. The insert type cartridge can be supplied with or without a threaded plug. They can also be supplied with housings to facilitate in-line installation.

PLC valves are intended primarily to act as combined pressure-relief and anti-cavitation valves - otherwise known as service port relief valves used in mobile directional controls. They can be also used in manifolds or line mounted port bodies for any over pressure protection in four different cavity sizes. PLC cartridge valves are purchased in large quantities by several of the world's leading pump and transmission manufacturers.

**Construction and function**

PLC pressure relief valves are made of high-strength steel and consist of a seat, poppet, spring and nut. After the pressure setting has been made, the damper nut is locked against the poppet by welding, in order to prevent the factory-set opening value from changing. When the cartridge is supplied with a plug, a spring is included to enable the cartridge to function as an anti-cavitation valve. The anti-cavitation valve is essentially a check valve that enables oil to be sucked from the tank line in order to prevent cavitation in a consumer.

Poppets without a pressure relief function are also available. They are used when only a 'check valve' is required to perform the anti-cavitation function.

**Technical data**

**Flow capacity**

The flow capacities of the respective PLC valves are dependent on the extent of pressure rise that can be accepted, and are illustrated in the typical graphs that begin

overleaf. The nominal flow capacities, however, are as follows:

PLC053	50 l/min
PLC082	80 l/min
<b>PLC182</b>	180 l/min
PLC280	280 l/min

**Pressure-setting flow**

As standard, the desired pressure is set with a flow of 20 l/min passing through the pressure relief valve. The exception is the PLC053, for which the pressure setting is made with a flow of 10 l/min passing through the valve.

**Weights**

PLC053	0,06 kg
PLC082	0,11 kg
<b>PLC182</b>	<b>0,165 kg</b>
PLC280	0,39 kg

The PLC valves are all supplied with a threaded plug.

Housing for PLC082 cartridge (inclusive of cartridge)	1,6 kg
Housing for two PLC082 cartridges (inclusive of cartridges)	2,8 kg

**Hydraulic fluids**

Best performance is obtained using mineral-base oil of high quality and cleanness in the hydraulic system.

Hydraulic fluids of type HLP (DIN 51524), oil for automatic gearboxes Type A and engine oil type API CD can be used.

Synthetic, fire-resistant and environmentally friendly oils can also be used. If in doubt about the suitability of an oil, please contact your nearest Parker representative for advice.

For best function, oil viscosity should be between 15 and 45 mm<sup>2</sup>/s (cSt).

**Filtration**

Filtration should be arranged so that Target Contamination Class 20/18/14 according to ISO 4406 is not exceeded.

**Temperature**

Temperature range, fluid: -20 °C to +90 °C  
 Temperature range, ambient: -40 °C to +60 °C  
 Temperature shock resistance: max. 100 °C/second

**General**

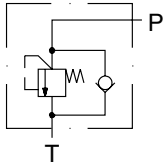
The data given in this catalogue is applicable at an oil temperature of 50 °C and viscosity of 30 mm<sup>2</sup>/s (cSt) using mineral oil complying with DIN 51524, with the cartridge valve is installed in a test manifold.

**Features and benefits**

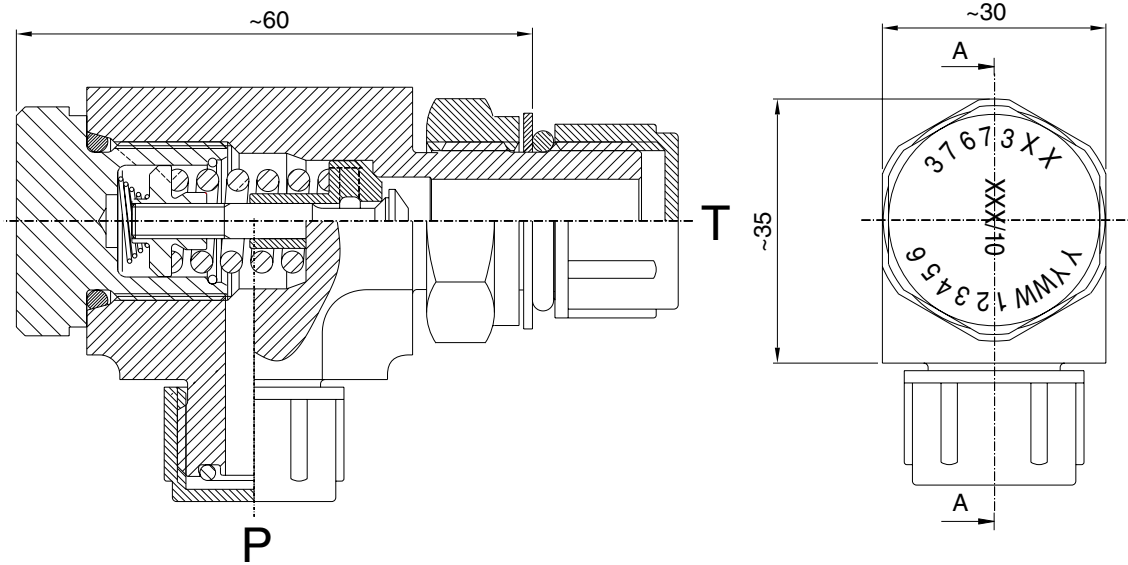
- Small dimensions - easy to install
- Single unit - facilitates installation
- Very tight - no unnecessary leakage losses
- Good characteristic – small pressure change between different flows
- Good opening and closing characteristics – distinct opening and closing
- Low hysteresis – good precision in pressure maintenance
- Fast acting – reacts quickly to pressure surges
- Setting locked by welding – prevents undesirable changing of pressure setting



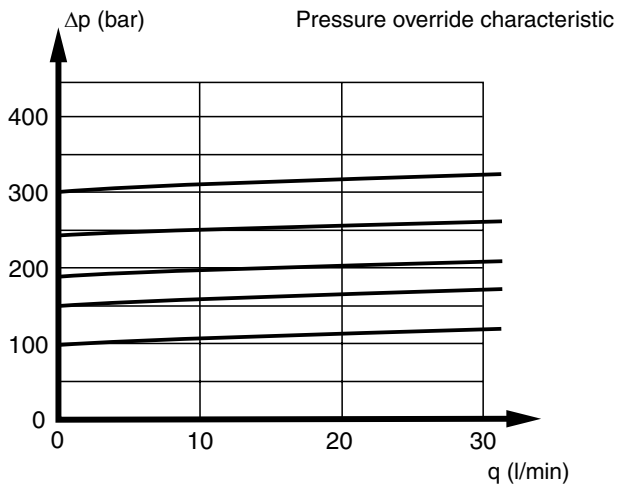
**Single housing**



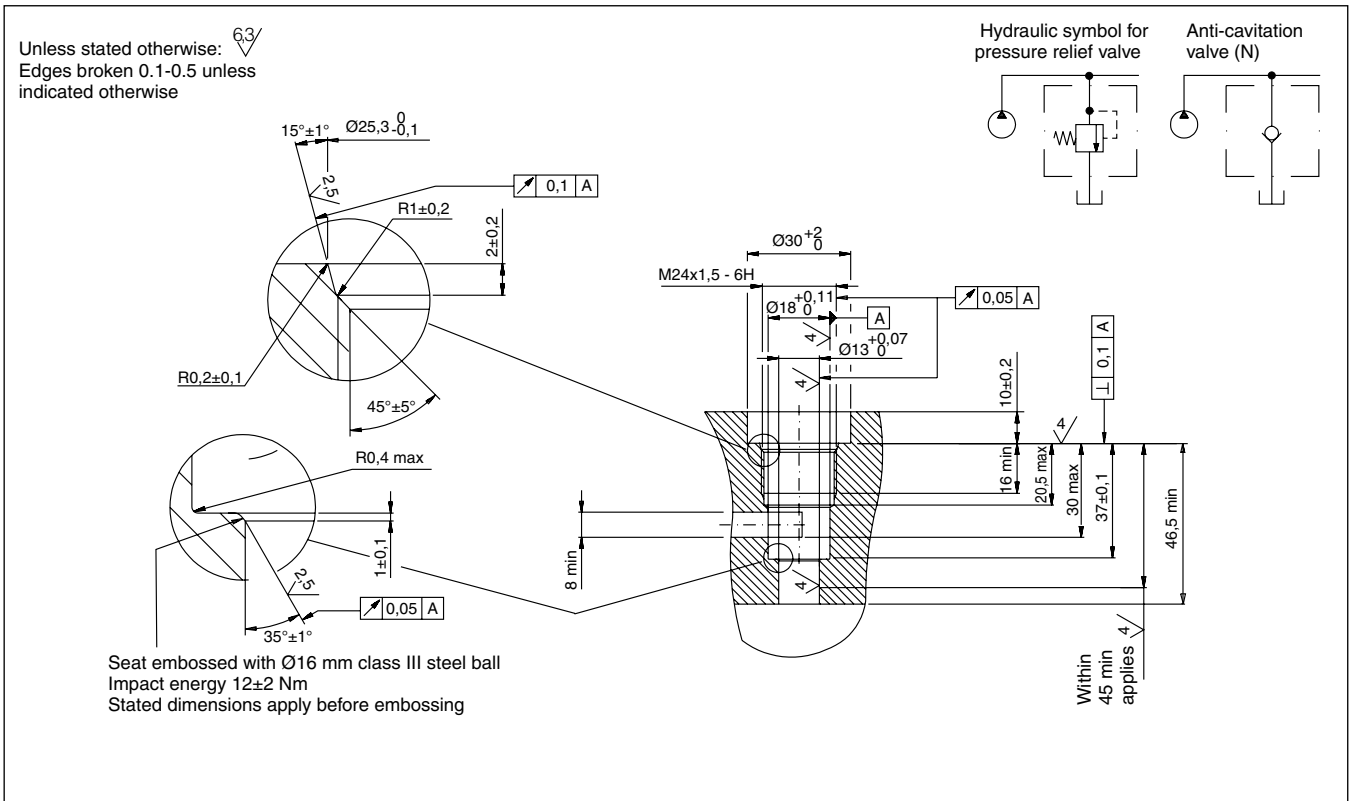
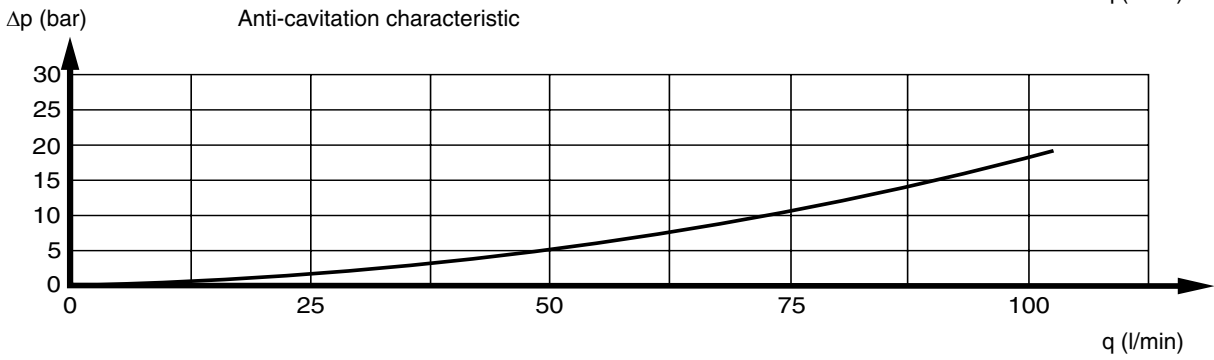
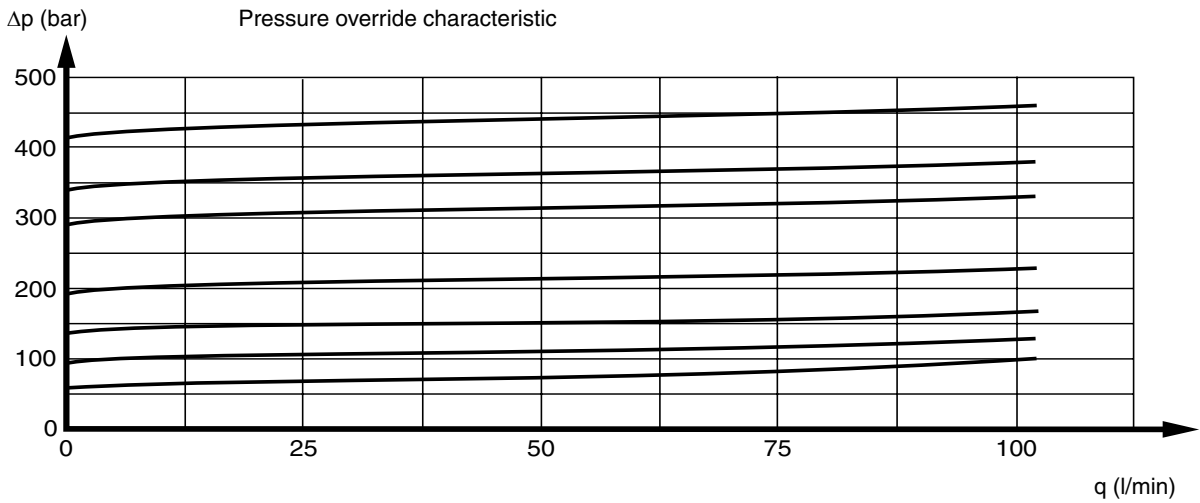
Hydraulic symbol for single housing



**Diagram for PLC053 pressure relief valve**

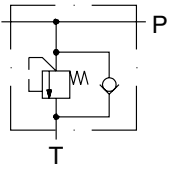


**Diagram for PLC082 pressure relief valves**

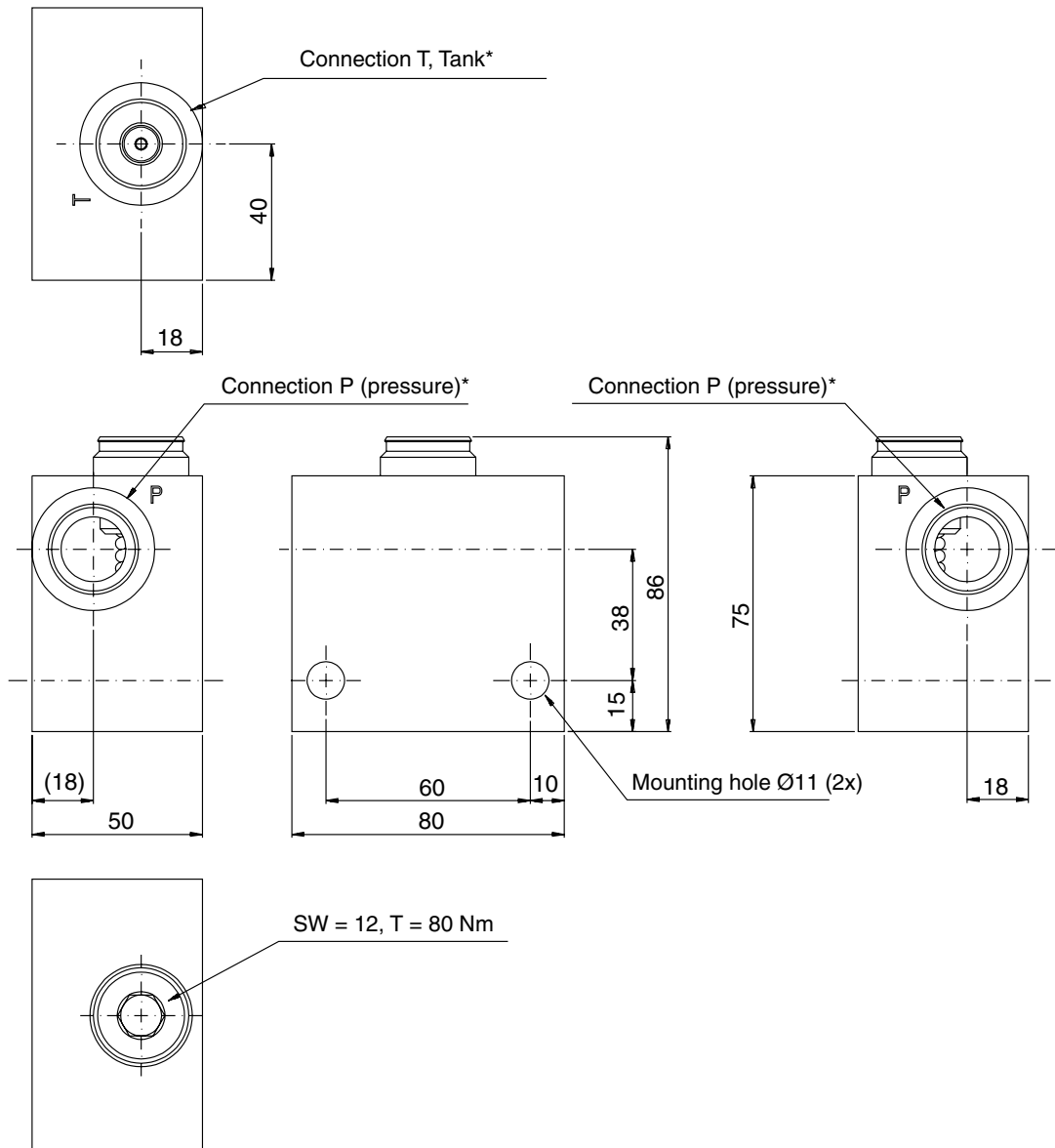


Cavity drawing, PLC082

**Single housing**



Hydraulic symbol for single housing

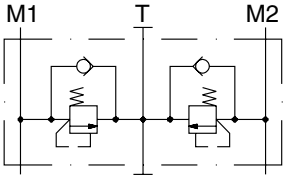


\*) Thread dimension G 1/2 or G 3/4.  
See page 11.

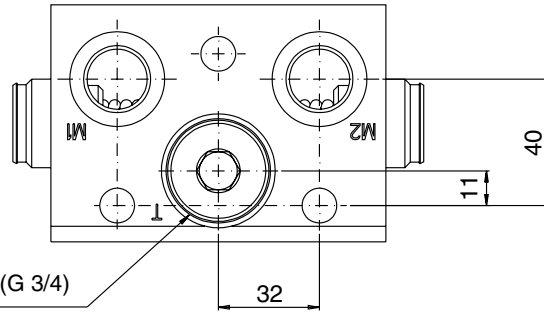
SW = spanner width  
T = tightening torque

**Dimensions**

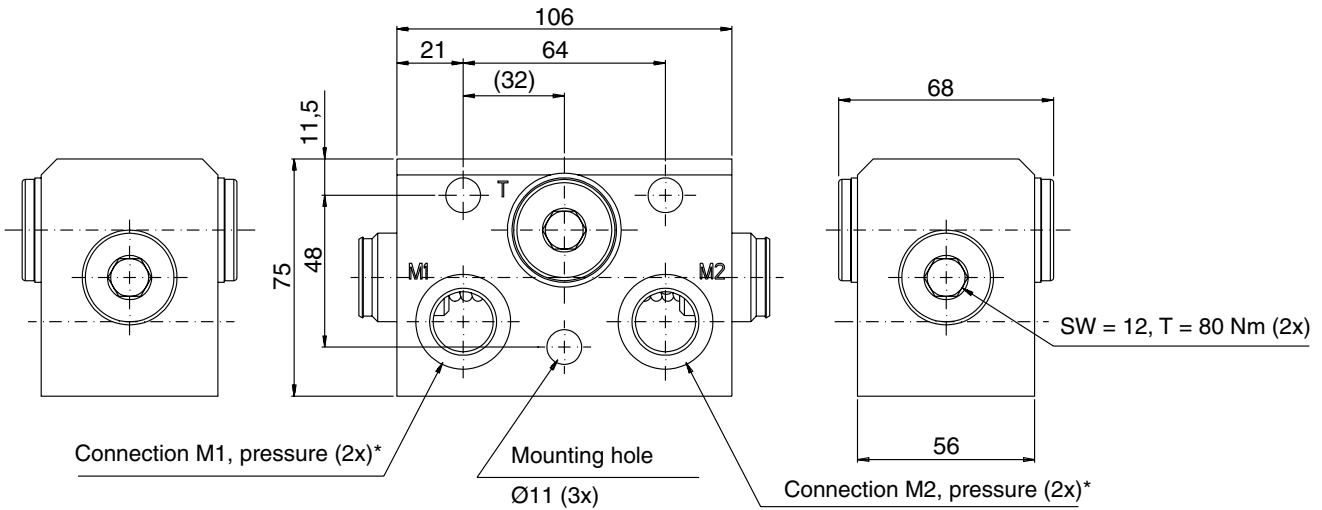
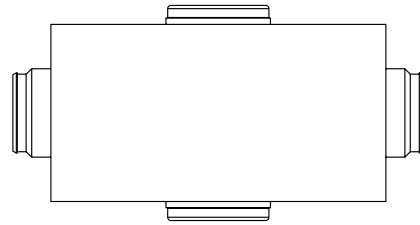
**Double housing**



Hydraulic symbol for double housing



Connection T, Tank, plugged (G 3/4)

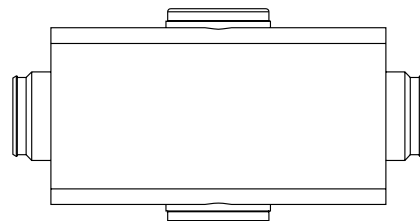


Connection M1, pressure (2x)\*

Mounting hole  
 Ø11 (3x)

Connection M2, pressure (2x)\*

SW = 12, T = 80 Nm (2x)

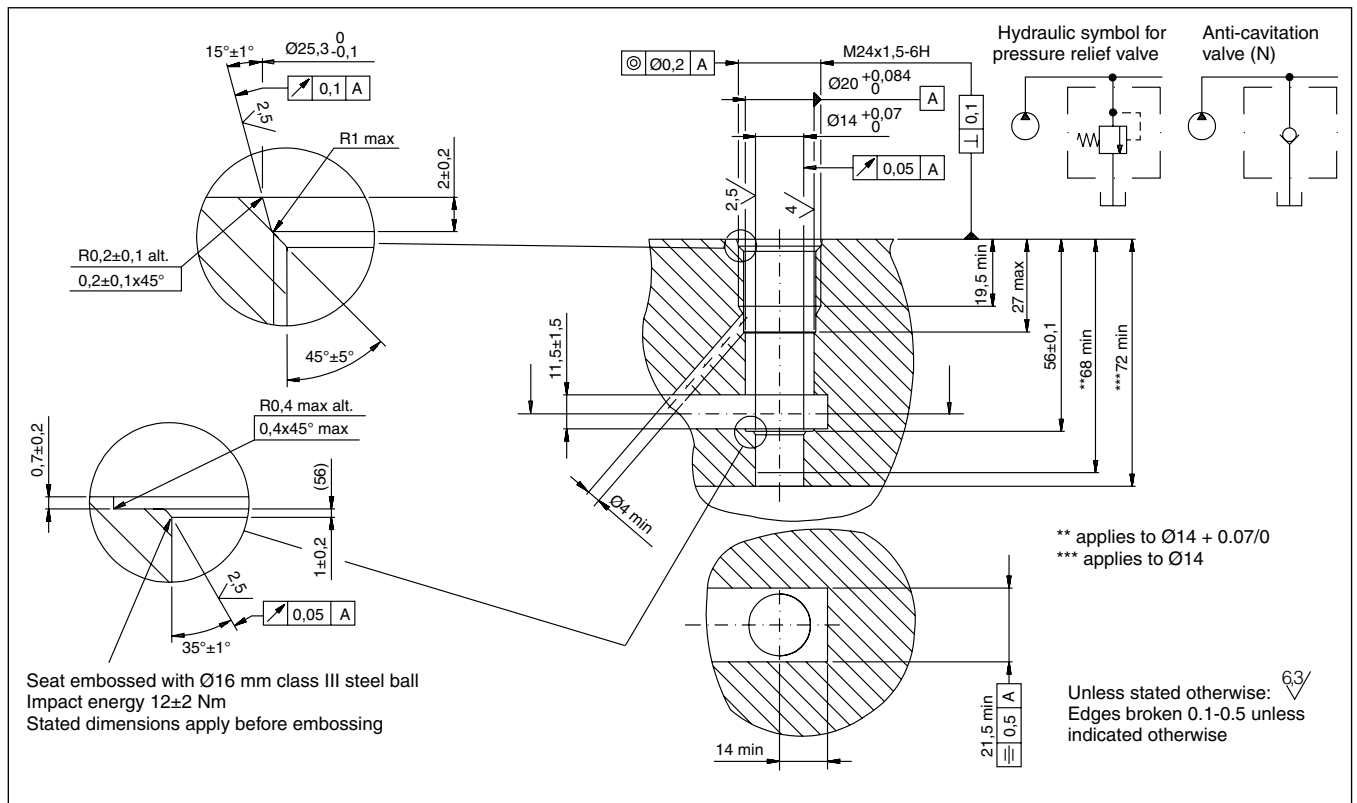
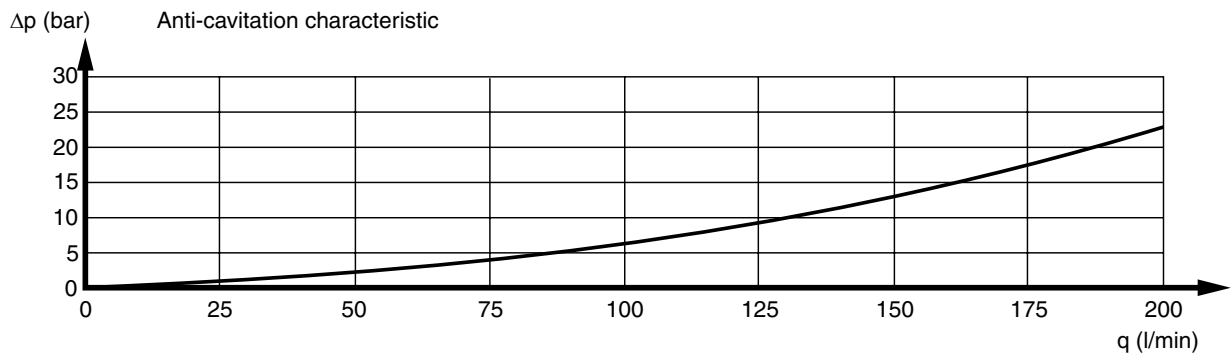
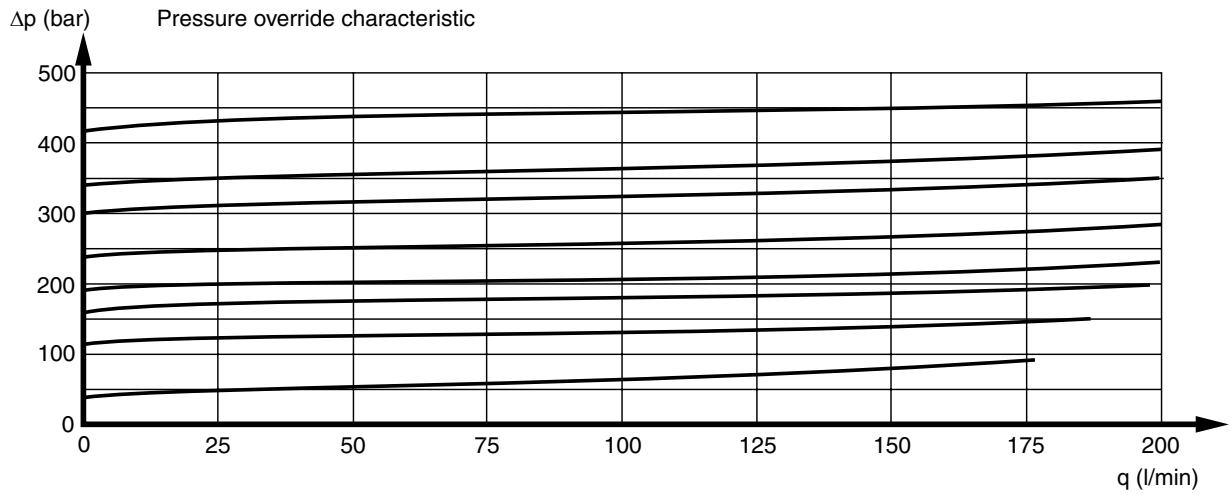


\*) Thread dimension G 1/2 or G 3/4.  
 See page 11.

SW = spanner width  
 T = tightening torque

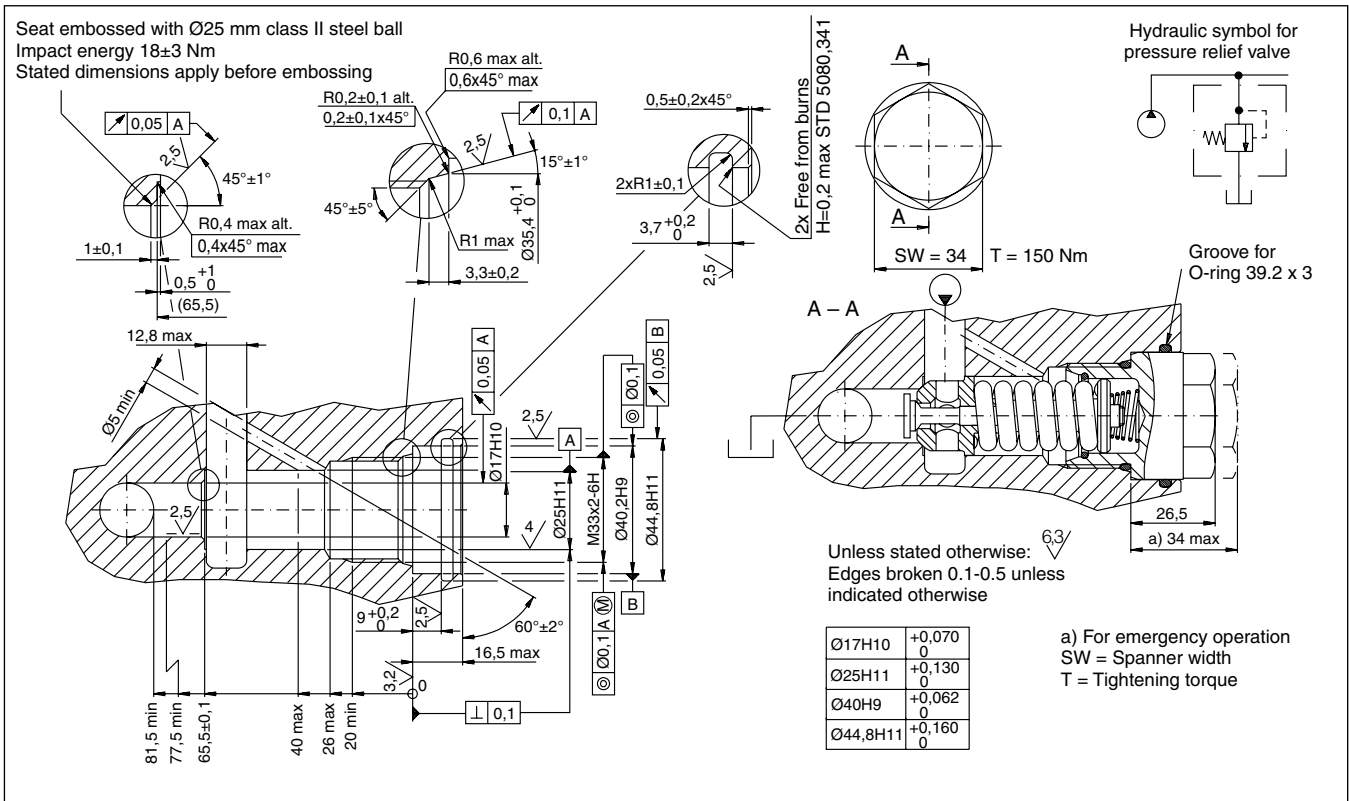
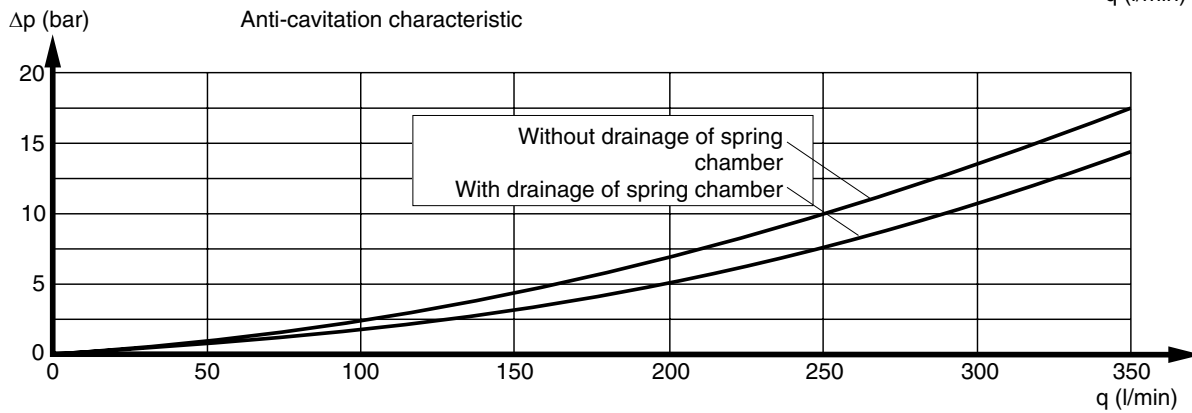
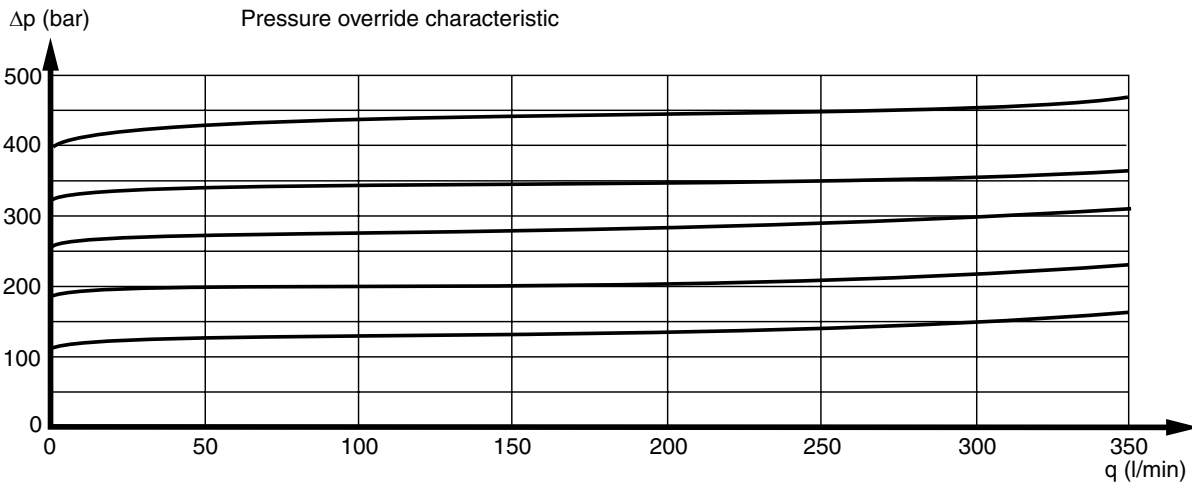


**Diagram for PLC182 pressure relief valves**



Cavity drawing, PLC182

**Diagram for PLC280 pressure relief valve**



Cavity drawing, PLC280

**Ordering**

**PLC series**

PLC-series pressure relief valves can be ordered using the ordering numbers in the table below.

Pressure [bar]	PLC053	PLC082	PLC182	PLC280 with plug
40	—	9120029103	9120029250	—
50	393000K176	9120029104	9120029251	—
63	393000K177	9120029105	9120029252	—
80	393000K178	9120029106	9120029253	—
100	393000K179	9120029107	9120029254	—
125	393000K180	9120029108	9120029255	—
140	393000K181	9120029109	9120029256	—
160	393000K182	9120029110	9120029257	—
175	393000K183	9120029111	9120029258	—
190	393000K184	9120029112	9120029259	—
210	393000K185	9120029113	9120029260	—
230	393000K186	9120029114	9120029261	20006727
250	393000K187	9120029115	9120029262	20004981
280	393000K189	9120029116	9120029263	20007439
290	—	9120029149	—	—
300	393000K190	9120029117	9120029264	20005798
330	393000K191	9120029118	9120029265	—
350	393000K192	9120029119	9120029266	20000990
380	393000W018	9120029120	9120029267	20006115
400	—	9120029121	9120029268	—
420	393000U020	9120029122	9120029269	00153491
N*	393000K194	9120099686	—	—

\* Anti-cavitation valve without pressure-relief function

**PLC053 mounted in single housing**

Ordered by using the ordering numbers in the table below.

Pressure [bar]	Ordering No
50	3767317
63	3767318
80	3767319
100	3767320
125	3767321
140	3767322
160	3767323
175	3767324
190	3767325
210	3767326
230	3767327
240	3767328
250	3767329
260	3767330
270	3767331
280	3767332

**PLC082 mounted in single housing**

Ordered by using the ordering numbers in the table below.

Pressure [bar]	G1/2"	G3/4"
050	3766780	3766789
063	3769967	—
080	3770611	3768456
100	3768462	—
125	3766781	—
160	3766782	—
175	3766783	3768457
190	3766784	3766903
210	3766785	3766904
230	3766786	3766862
250	3767836	3768458
280	—	3768290

**PLC082 mounted in double housing**

Ordered by using the ordering numbers in the table below.

Pressure [bar]	G1/2"	G3/4"
050	3768981	—
125	3768928	—
140	3766767	3770004
160	3766769	3766777
175	3766770	—
190	3766771	—
210	3766772	—
230	3766773	3766900
250	3771159	3766901
280	—	3766873

# Parker Worldwide

## Europe, Middle East, Africa

**AE – United Arab Emirates,**  
Dubai

Tel: +971 4 8127100  
parker.me@parker.com

**AT – Austria,** St. Florian

Tel: +43 (0)7224 66201  
parker.austria@parker.com

**AZ – Azerbaijan,** Baku

Tel: +994 50 2233 458  
parker.azerbaijan@parker.com

**BE/NL/LU – Benelux,**

Hendrik Ido Ambacht  
Tel: +31 (0)541 585 000  
parker.nl@parker.com

**BG – Bulgaria,** Sofia

Tel: +359 2 980 1344  
parker.bulgaria@parker.com

**BY – Belarus,** Minsk

Tel: +48 (0)22 573 24 00  
parker.poland@parker.com

**CH – Switzerland,** Etoy

Tel: +41 (0)21 821 87 00  
parker.switzerland@parker.com

**CZ – Czech Republic,** Klecany

Tel: +420 284 083 111  
parker.czechrepublic@parker.com

**DE – Germany,** Kaarst

Tel: +49 (0)2131 4016 0  
parker.germany@parker.com

**DK – Denmark,** Ballerup

Tel: +45 43 56 04 00  
parker.denmark@parker.com

**ES – Spain,** Madrid

Tel: +34 902 330 001  
parker.spain@parker.com

**FI – Finland,** Vantaa

Tel: +358 (0)20 753 2500  
parker.finland@parker.com

**FR – France,** Contamine s/Arve

Tel: +33 (0)4 50 25 80 25  
parker.france@parker.com

**GR – Greece,** Piraeus

Tel: +30 210 933 6450  
parker.greece@parker.com

**HU – Hungary,** Budaörs

Tel: +36 23 885 470  
parker.hungary@parker.com

**IE – Ireland,** Dublin

Tel: +353 (0)1 466 6370  
parker.ireland@parker.com

**IL – Israel**

Tel: +39 02 45 19 21  
parker.israel@parker.com

**IT – Italy,** Corsico (MI)

Tel: +39 02 45 19 21  
parker.italy@parker.com

**KZ – Kazakhstan,** Almaty

Tel: +7 7273 561 000  
parker.easteurope@parker.com

**NO – Norway,** Asker

Tel: +47 66 75 34 00  
parker.norway@parker.com

**PL – Poland,** Warsaw

Tel: +48 (0)22 573 24 00  
parker.poland@parker.com

**PT – Portugal**

Tel: +351 22 999 7360  
parker.portugal@parker.com

**RO – Romania,** Bucharest

Tel: +40 21 252 1382  
parker.romania@parker.com

**RU – Russia,** Moscow

Tel: +7 495 645-2156  
parker.russia@parker.com

**SE – Sweden,** Spånga

Tel: +46 (0)8 59 79 50 00  
parker.sweden@parker.com

**SK – Slovakia,** Banská Bystrica

Tel: +421 484 162 252  
parker.slovakia@parker.com

**SL – Slovenia,** Novo Mesto

Tel: +386 7 337 6650  
parker.slovenia@parker.com

**TR – Turkey,** Istanbul

Tel: +90 216 4997081  
parker.turkey@parker.com

**UA – Ukraine,** Kiev

Tel: +48 (0)22 573 24 00  
parker.poland@parker.com

**UK – United Kingdom,** Warwick

Tel: +44 (0)1926 317 878  
parker.uk@parker.com

**ZA – South Africa,** Kempton Park

Tel: +27 (0)11 961 0700  
parker.southafrica@parker.com

## North America

**CA – Canada,** Milton, Ontario

Tel: +1 905 693 3000

**US – USA,** Cleveland

Tel: +1 216 896 3000

## Asia Pacific

**AU – Australia,** Castle Hill

Tel: +61 (0)2-9634 7777

**CN – China,** Shanghai

Tel: +86 21 2899 5000

**HK – Hong Kong**

Tel: +852 2428 8008

**IN – India,** Mumbai

Tel: +91 22 6513 7081-85

**JP – Japan,** Tokyo

Tel: +81 (0)3 6408 3901

**KR – South Korea,** Seoul

Tel: +82 2 559 0400

**MY – Malaysia,** Shah Alam

Tel: +60 3 7849 0800

**NZ – New Zealand,** Mt Wellington

Tel: +64 9 574 1744

**SG – Singapore**

Tel: +65 6887 6300

**TH – Thailand,** Bangkok

Tel: +662 186 7000

**TW – Taiwan,** Taipei

Tel: +886 2 2298 8987

## South America

**AR – Argentina,** Buenos Aires

Tel: +54 3327 44 4129

**BR – Brazil,** Sao Jose dos Campos

Tel: +55 800 727 5374

**CL – Chile,** Santiago

Tel: +56 2 623 1216

**MX – Mexico,** Toluca

Tel: +52 72 2275 4200

European Product Information Centre

Free phone: 00 800 27 27 5374

(from AT, BE, CH, CZ, DE, DK, EE, ES, FI,  
FR, IE, IL, IS, IT, LU, MT, NL, NO, PL, PT, RU,  
SE, SK, UK, ZA)



**Parker Hannifin Ltd.**

Tachbrook Park Drive

Tachbrook Park,

Warwick, CV34 6TU

United Kingdom

Tel.: +44 (0) 1926 317 878

Fax: +44 (0) 1926 317 855

parker.uk@parker.com

www.parker.com