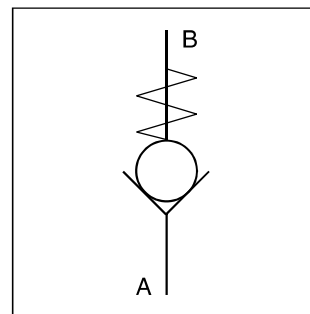


Characteristics

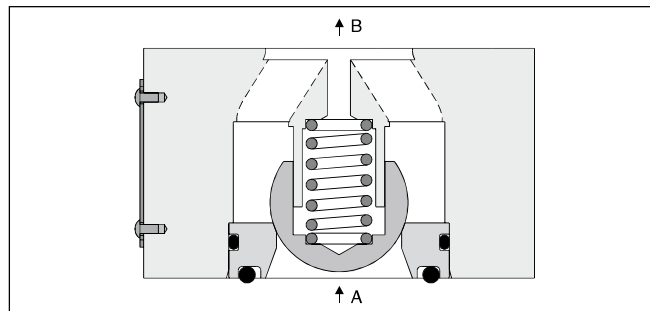
Direct operated check valves series C5V provide free flow in one direction and block the flow in the counter direction.

The SAE flanges allow to mount the C5V directly on the pressure port of pumps for protection against pressure shocks from the system.



Features

- Direct operated check valve
- SAE61 and SAE62 flange
- 4 sizes (SAE 3/4", 1", 1 1/4", 1 1/2")
- 3 springs
- 5 different seal configurations

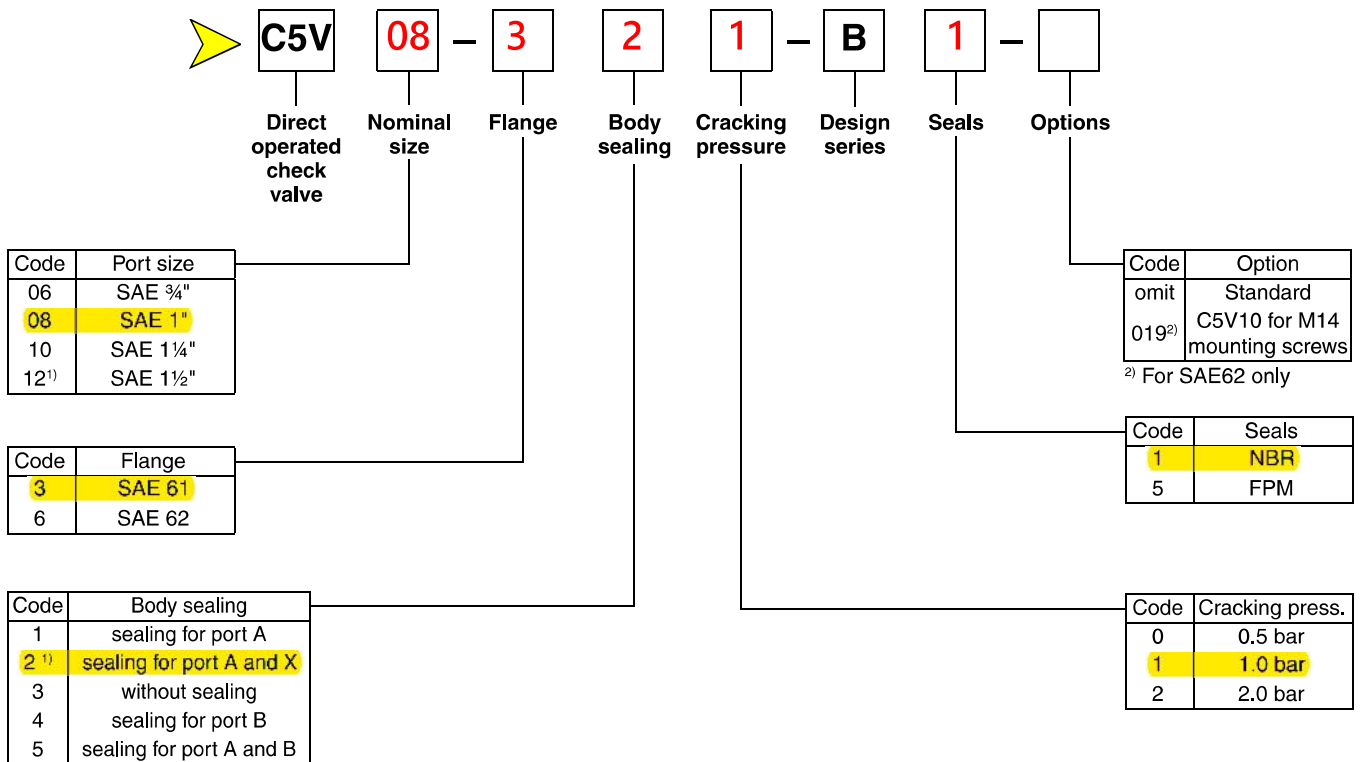


Technical data

General		06 (3/4")	08 (1")	10 (1 1/4")	12 (1 1/2")
Size		06 (3/4")	08 (1")	10 (1 1/4")	12 (1 1/2")
Mounting		2-port inline flange (SAE61 and 62)			
Mounting position		unrestricted			
Ambient temperature	[°C]	-20...+50			
Weight	[kg]	0.6	0.9	1.3	1.8
Hydraulic					
Max. operating pressure	[bar]				
	SAE61	350	350	280	210
	SAE62	420	420	420	420
Pressure stages	[bar]				
Nominal flow	[l/min]	100	200	400	750
Fluid		Hydraulic oil as per DIN 51524...525			
Fluid temperature	[°C]	-20...+80			
Viscosity permitted	[cSt]/[mm²/s]	10...650			
Viscosity recommended	[cSt]/[mm²/s]	30			
Filtration		ISO 4406 (1999) 18/16/13 (acc. NAS 1638: 7)			

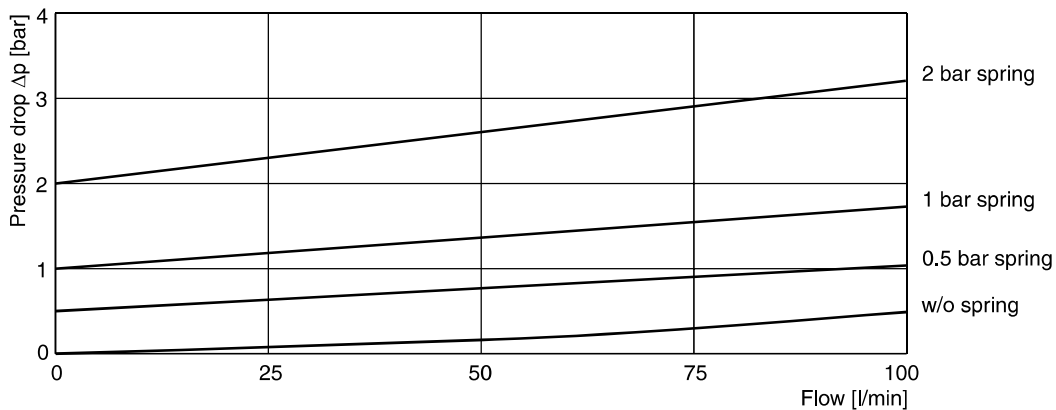
Direct Operated Check Valve Series C5V (Denison)

Ordering Code

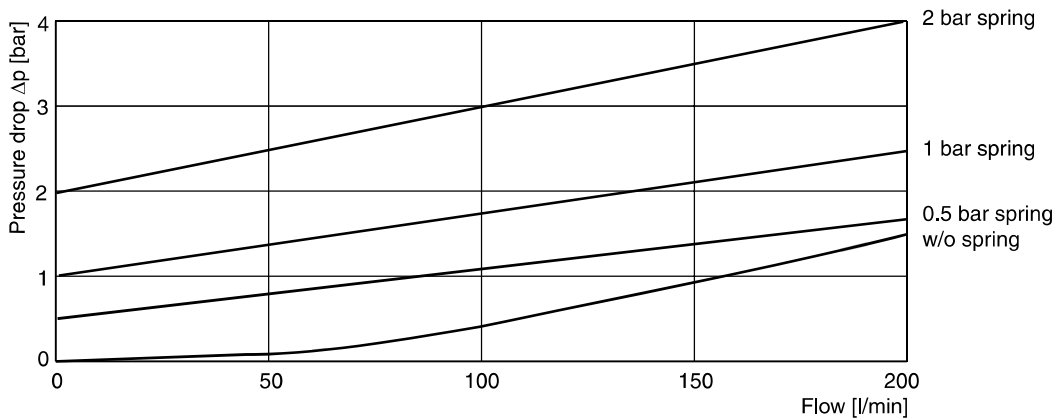


¹⁾ For combination with R5U unloading valve (SAE61 only)

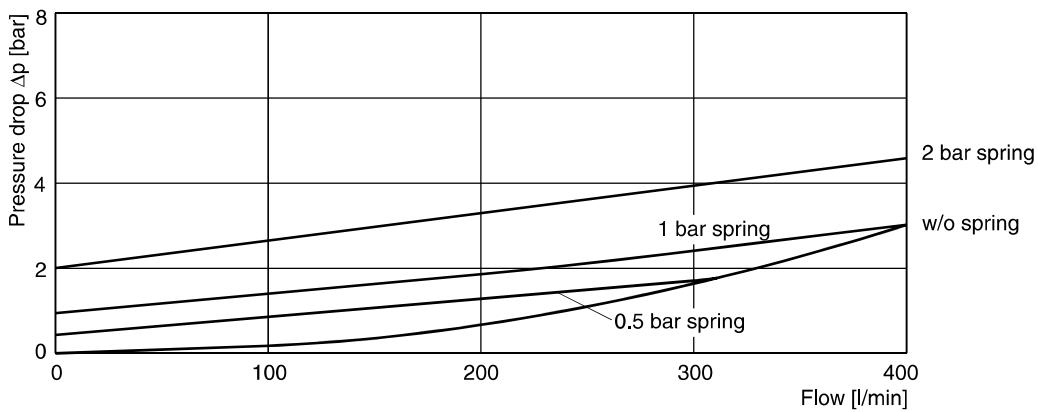
C5V06



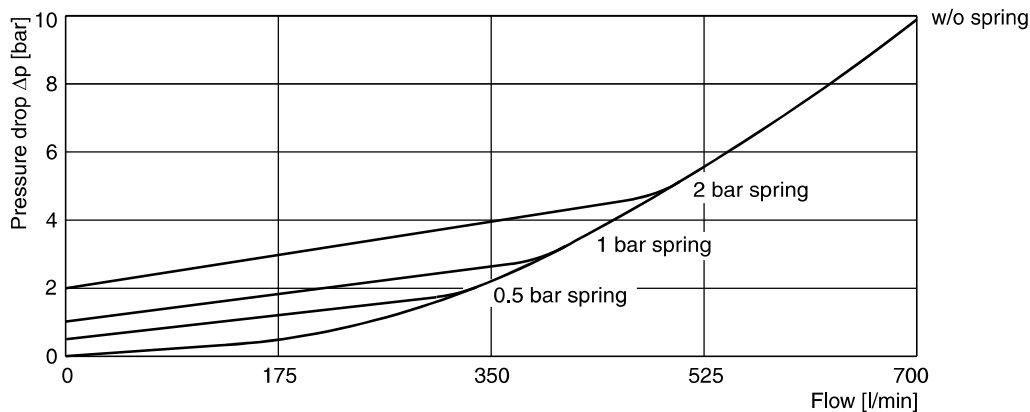
C5V08



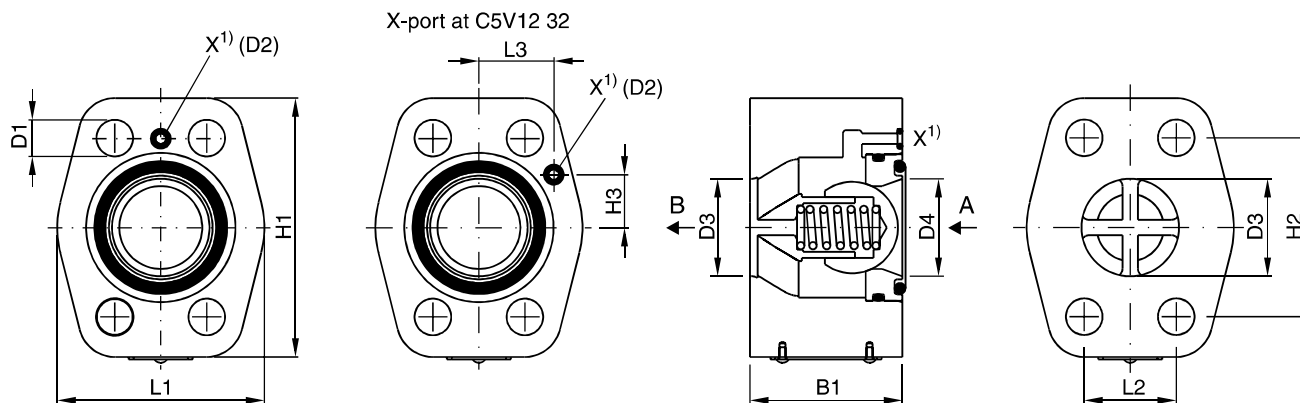
C5V10



C5V12



Dimensions



Position of O-ring seal according to ordering code.

¹⁾ X1 port for C5V*32* (for use with unloading valve R5U)

Series	Nominal Size		L1	L2	L3	H1	H2	H3	B1	D1	D2	D3 + 0.8	D4
C5V06	3/4"	SAE61	48	22.2	27.2	64	47.6	22.4	45	10.5	Ø3	19	19
		SAE62	48	23.8	27.2	64	50.8	22.4	45	10.5	-	19	19
C5V08	1"	SAE61	60	26.2	27.2	74	52.4	22.4	45	10.5	Ø3	25	25
		SAE62	60	27.8	27.2	74	57.2	22.4	45	12.5	-	25	25
C5V10	1 1/4"	SAE61	68	30.2	27.2	85	58.7	22.4	50	12.5	Ø3	32	32
		SAE62	68	31.8	27.2	85	66.7	22.4	50	13.5 ²⁾	-	32	32
C5V12	1 1/2"	SAE61	80	35.7	27.2	104	69.8	22.4	50	13.5	Ø3	42	38
		SAE62	80	36.5	27.2	104	79.4	22.4	50	17	-	42	38

²⁾ D1 = 15 at option code 019 for M14 mounting screws

9