

FORMULA 30 GENERAL DATA PUMPS
FP 30

Pump type	Displacement	Max. pressure			Intermittent max. speed		Min. speed
		p ₁	p ₂	p ₃	At p ₂ press.	Without load	At p ₂ press.
	in ³ /rev (cm ³ /rev)	psi (bar)			min ⁻¹		
FP 30•17	1.05 (17,28)	4205 (290)	4568 (315)	4713 (325)	3000	4000	300
FP 30•27	1.63 (26,70)	4205 (290)	4568 (315)	4713 (325)	3000	4000	300
FP 30•34	2.11 (34,56)	4060 (280)	4350 (300)	4495 (310)	2800	4200	300
FP 30•38	2.40 (39,27)	4060 (280)	4350 (300)	4495 (310)	2800	3500	300
FP 30•43	2.68 (43,98)	3915 (270)	4205 (290)	4350 (300)	2500	3500	300
FP 30•51	3.16 (51,83)	3480 (240)	3770 (260)	4060 (280)	2500	3500	300
FP 30•61	3.74 (61,26)	3190 (220)	3480 (240)	3625 (250)	2000	3500	300
FP 30•73	4.50 (73,82)	2900 (200)	3190 (220)	3335 (230)	1800	3500	300
FP 30•82	4.98 (81,68)	2755 (190)	3045 (210)	3190 (220)	1800	3500	300
FP 30•100	6.16 (100,52)	2610 (180)	2900 (200)	3190 (220)	1800	3500	300
FP 30•125	7.67 (125,66)	2320 (160)	2610 (180)	2900 (200)	1800	3500	300

p₁= Max. continuous pressure p₂= Max. intermittent pressure p₃= Max. peak pressure

The values in the table refer to unidirectional pumps.
 Reversible pump max pressures are 15% lower than those shown in table.
 For different working conditions please consult our sales department.

T2 type double shaft flange allow the pumps to work in clockwise or anticlockwise rotation obtaining the reversible advantages and maintaining the general data of unidirectional pumps.

01/08.05

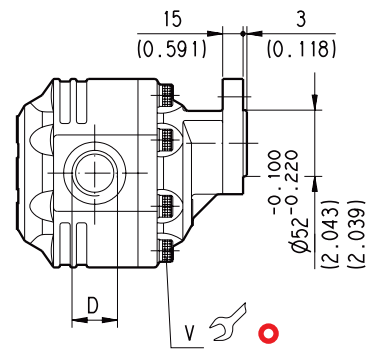
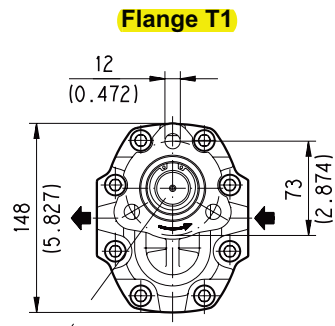
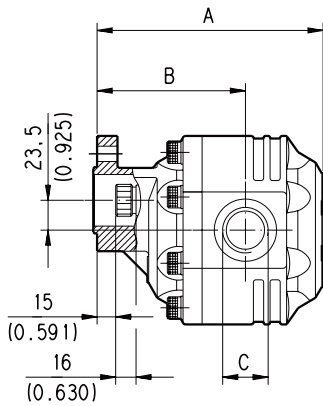
FORMULA 30

HYDRAULIC GEAR PUMPS ITALIAN STANDARD

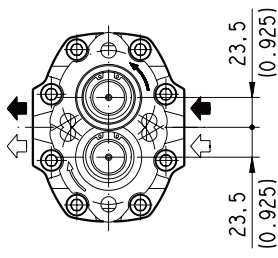
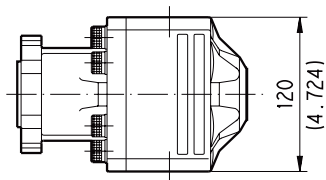
19 T

GAS STRAIGHT THREAD PORTS

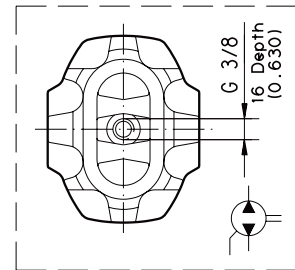
British standard pipe parallel (55°) conforms to UNI - ISO 228



Shaft
UNI 8953 6x21x25 S
MAX. TORQUE 360 Nm
(3186 lbf in)



Flange T2
Only for rotation S-D



D100-113/0805

V Tightening torque Nm (lbf in)
70 ±7 (558 ÷ 682)

Pump type			A	B	C	D	Mass			
			mm (in)	mm (in)	IN	OUT	kg (lbs)			
S D R B	0-19	T1	L GD/GD-N	150,5 (5.925)	100,5 (3.957)	G 1/2	G 1/2	9 (19.85)		
			L GE/GE-N	156,5 (6.161)	106,5 (4.193)	G 3/4	G 3/4	9,3 (20.51)		
				161,5 (6.358)	106,5 (4.193)			9,6 (21.17)		
				164,5 (6.476)	109,5 (4.311)			9,8 (21.61)		
				167,5 (6.594)	112,5 (4.429)			10 (22.05)		
		T2	L GF/GF-N	172,5 (6.791)	110,5 (4.350)	G 1	G 1	10,3 (22.71)		
			L GG/GF-N	178,5 (7.028)	116,5 (4.587)			10,7 (23.59)		
				186,5 (7.343)	117,5 (4.623)			10,9 (24.03)		
			L GG/GF-N	191,5 (7.539)	122,5 (4.823)			G 1 1/4	G 1 1/4	11 (24.26)
			L GG/GG-N	217 (8.543)	136 (5.354)					11,5 (25.36)
FP 30•125 (•)			233 (9.173)	152 (5.984)			12,3 (27.12)			

Rotation: S=left - D=right - R=reversible - B=reversible internal drain (•) Only available in T1 version.

How to order:

FP 30•17 S0 - 19 T1 - L GD/GD - N

01/08.05